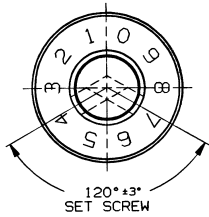
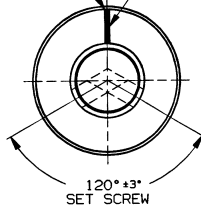


CONVERSION CHART	
INCH	MM
.003	0.08
.004	0.10
.008	0.20
.012	0.30
.015	0.38
.02	0.5
.020	0.51
.157	3.98
.059	1.50
.126	3.20
.157	3.99
.158	4.01
.630	16.00
.236	5.99
.251	6.38
.314	7.98
.393	9.98
.433	11.00
.500	12.7
.631	16.03
2.520	57.15
.708	17.98
.826	20.98
.950	24.13
1.000	25.4



KBS-500-10

DIE STAMPED FILLED WITH LACQUER
INDICATOR LINE .031W X .012D
SEE NOTE 2



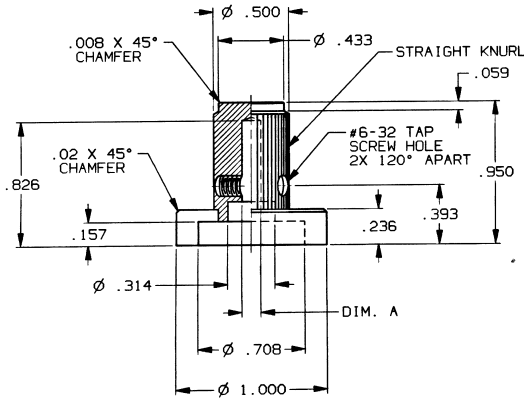
KBS-500

SPECIFICATIONS:

MATERIALS:
MATERIAL: ALUMINUM.
FINISH: SEE NOTE 2.

NOTES:

1. INTERPRET DRAWING PER ASME Y14.5M-1994.
2. FINISH ADD SUFFIX "A" TO MODEL NO. FOR NATURAL ALUMINUM BODY WITH BLACK INDICATOR LINE. ADD SUFFIX "B" TO MODEL NO. FOR BLACK ANODIZED BODY WITH WHITE INDICATOR LINE.



SHAFT HOLE DIA. DIM. A	
1/4	.251 ^{.003} .000
1/8	.126 ^{.003} .000

OUTLINE DRAWING
SPECIFICATIONS ARE SUBJECT TO CHANGES WITHOUT NOTICE

<p>THIRD ANGLE PROJECTION</p>	UNLESS OTHERWISE SPECIFIED DIMENSIONS ARE IN INCHES DO NOT SCALE PRINT	ORIGINAL DATE OF DRAWING: 11-15-95
	FILE NAME: 80248OUT DIRECTORY: KNOBS	DRAWN: S. KIRCORIAN DATE: 11-15-95
TOLERANCES (EXCEPT AS NOTED) ANGULAR = ±3° DECIMAL .XX = ± DECIMAL .XXX = ±.015 DECIMAL .XXXX = ±	MATERIAL: SEE SPECIFICATIONS	CHECKED: DATE:
AUGAT CONFIDENTIAL This document contains information which is the exclusive property of Augat Inc. Distribution, reproduction or use by others is not permitted without the expressed written consent of Augat Inc.	FINISH: SEE SPECIFICATIONS	APPROVED: <i>[Signature]</i> DATE: 11-15-95
		CODE IDENT. NO. 91506 DIM. SIZE C
		NEXT ASSY:

THIS IS A C.A.D. GENERATED DRAWING. DO NOT MAKE MANUAL REVISIONS TO MASTER.

AUGAT INC.
805 JOHN DIETSON BLVD.
ATTLEBORO FALLS, MASS. 02763

TITLE: **OUTLINE DRAWING**
KNOB
(KBS-500)

DWG. NO. 80248-SD REV. 0

PRODUCT CODE: H11
SCALE: 2:1 SHEET 1 OF 1

REV	INITIALS	DATE
0		11-15-95

REVISIONS
INITIALS
RELEASE
GSK 11-15-95
APP. D. 7.2.95 / 11-15-95

Property of Data Electronics Corporation May, 2000
CUSTOMER 8960 4-1437621-1 REV. 99 PG 1 OF 1