

4

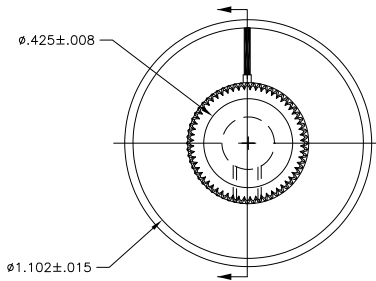
3

2

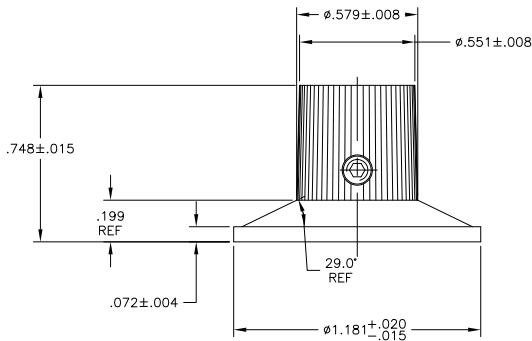
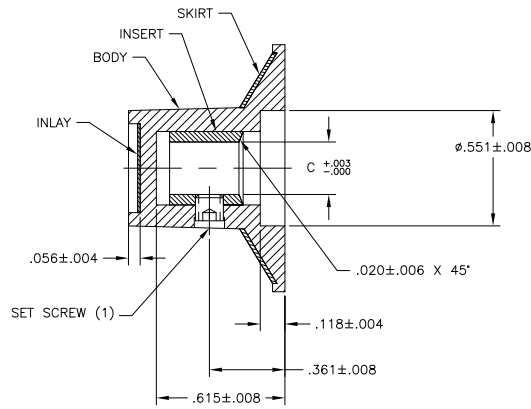
1

THIS DRAWING IS UNPUBLISHED. RELEASED FOR PUBLICATION  
 © COPYRIGHT BY TYCO ELECTRONICS CORPORATION. ALL RIGHTS RESERVED.

LOC	DIST	REVISIONS			
P	LNK	DESCRIPTION	DATE	BY	APPD
B2		REVISED PER ECO-08-014695	13JUN08	HMR	MW



9-1437624-8  
 [PKS1132B1/4]



- 1 MATERIAL AND FINISH:  
 SKIRT AND INLAY: ALUMINUM .016 THK., CLEAR ACRYLIC COATED  
 BODY: PHENOLIC, BLACK, HIGH GLOSS FINISH (SPE/SP#A2)  
 SET SCREW: 303 STAINLESS STEEL, BLACK ANODIZED  
 INSERT: BRASS

2 SET SCREW ARE UNC-2A, CUP POINT, HEX SOCKET TYPE.  
 LENGTH TOLERANCE ON ALL SET SCREWS TO BE ±.010.

3 INDICATOR LINE AND NUMBER COLOR: BLACK

4 RETENTION FORCE OF INSERT IN KNOB BODY: 50 LBS MIN.

#6-32 X .125	.251	PKS1132B91/4	1437625-2
#6-32 X .125	.251	PKS1132B51/4	1437625-1
#6-32 X .125	.251	PKS1132B101/4	9-1437624-9
#6-32 X .125	.251	PKS1132B1/4	9-1437624-8

SET SCREW	SHAFT HOLE	MODEL NUMBER	PART NUMBER
2	C		

THIS DRAWING IS A CONTROLLED DOCUMENT.

DESIGNED BY: M. BINNER	DATE: 02APR03	TYCO ELECTRONICS CORPORATION	Harrisburg, Pa 17105-3608
DRAWN BY: [Blank]	DATE: [Blank]	PKS SERIES KNOB	
CHECKED BY: [Blank]	DATE: [Blank]	SIZE: A2	CAGE CODE: 00779
APPROVED BY: [Blank]	DATE: [Blank]	DRAWING NO: C=1437625-1	RESTRICTED TO: [Blank]
MATERIAL: [Blank]	FINISH: [Blank]	CUSTOMER DRAWING	SCALE: 1:1 SHEET 1 OF 2 REV B2

AMP 1471-9 REV 31MAR2000

1437625-1

A

4

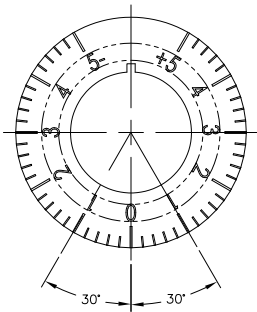
3

2

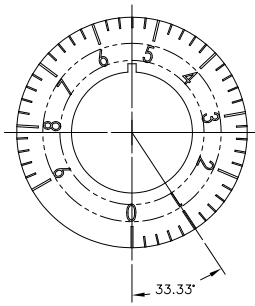
1

THIS DRAWING IS UNPUBLISHED. RELEASED FOR PUBLICATION  
 © COPYRIGHT BY TYCO ELECTRONICS CORPORATION. ALL RIGHTS RESERVED.

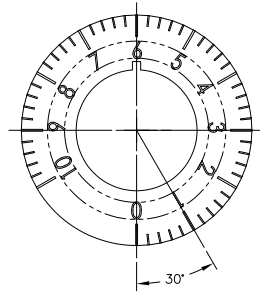
LOC	DIST	REVISIONS		
P	LTR	DESCRIPTION	DATE	BY
AD	0	SEE SHEET 1	-	-



1437625-1  
 [PKS1132B51/4]



1437625-2  
 [PKS1132B91/4]



9-1437624-9  
 [PKS1132B101/4]

THIS DRAWING IS A CONTROLLED DOCUMENT.		BY: M. BILNER	DATE: 02/19/03	Tyco Electronics Corporation Harrisburg, Pa 17105-3608																					
DIMENSIONS: INCHES		OTHER DIMENSIONS: OTHER UNITS	APPROVED:	NAME:	PKS SERIES KNOB																				
<table border="1"> <tr><td>0</td><td>PLC</td><td>± .005</td></tr> <tr><td>1</td><td>PLC</td><td>± .005</td></tr> <tr><td>2</td><td>PLC</td><td>± .005</td></tr> <tr><td>3</td><td>PLC</td><td>± .004</td></tr> <tr><td>4</td><td>PLC</td><td>± .005</td></tr> <tr><td colspan="2">ANGLES</td><td>± .2°</td></tr> <tr><td colspan="2">FINISH</td><td>-</td></tr> </table>		0	PLC	± .005	1	PLC	± .005	2	PLC	± .005	3	PLC	± .004	4	PLC	± .005	ANGLES		± .2°	FINISH		-	PRODUCT SPEC:	APPLICATION SPEC:	RESTRICTED TO:
0	PLC	± .005																							
1	PLC	± .005																							
2	PLC	± .005																							
3	PLC	± .004																							
4	PLC	± .005																							
ANGLES		± .2°																							
FINISH		-																							
MATERIAL:	FINISH:	WEIGHT:	SIZE: A2	CAGE CODE: 00779	DRAWING NO: C=1437625-1																				
CUSTOMER DRAWING			SCALE: 1:1	SHEET: 2 of 2	REV: B2																				

AMP 1471-9 REV 31MM0200

1437625-1

A