

4

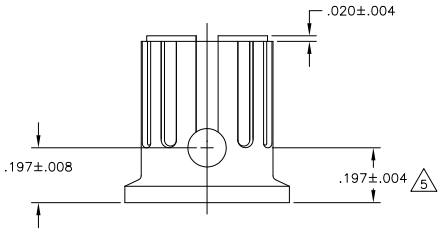
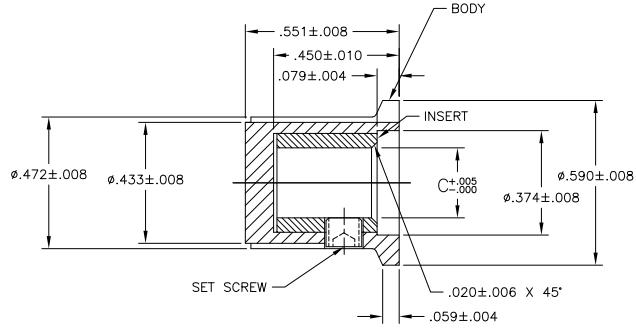
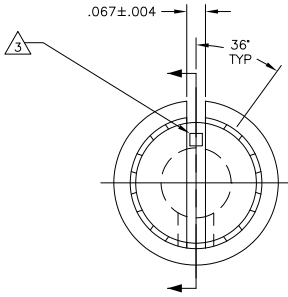
3

2

1

THIS DRAWING IS UNPUBLISHED. RELEASED FOR PUBLICATION
© COPYRIGHT BY TYCO ELECTRONICS CORPORATION. ALL RIGHTS RESERVED.

LOC	DIST	REVISIONS		
AD	0	P LTR	DESCRIPTION	DATE
		K	ECO-07-026569	09NOV2007
				REV MZ



- MATERIAL AND FINISH:
BODY: PHENOLIC, BLACK
SET SCREW: 303 STAINLESS STEEL, BLACK ANODIZED
INSERT: BRASS
- SET SCREW ARE UNC-2A, CUP POINT, HEX HEAD TYPE. LENGTH TOLERANCE OF ALL SET SCREWS TO BE ±.010
- INDICATOR, PAINTED FULL, COLOR: WHITE; .030±.010 DEEP
- RETENTION FORCE OF INSERT IN KNOB BODY: 2 LBS MIN.
- DIMENSION DOES NOT APPLY TO SET SCREW COUNTERBORE.

#4-40 X .187	.251	-	1571682-1
#4-40 X .125	.126	PKX50B1/8	1-1437625-5
#4-40 X .125	.251	PKX50B1/4	1-1437625-4
SET SCREW	C	MODEL NUMBER	PART NUMBER
		SHAFT HOLE	

THIS DRAWING IS A CONTROLLED DOCUMENT.		DATE	12MAR03	Tyco Electronics Corporation	
DRAWN		BY	M. BINNER	Harrisburg, PA 17105	
CHECKED		BY		Tyco Electronics	
DIMENSIONS:		NAME			
INCHES		PKX SERIES KNOB			
TOLERANCES UNLESS OTHERWISE SPECIFIED:		APPLICATION SPEC			
0 PLC ± .005		SIZE			
1 PLC ± .004		CAGE CODE			
2 PLC ± .004		DRAWING NO			
3 PLC ± .004		A2 00779			
4 PLC ± .004		©=1-1437625-1			
ANGLES ± .5°		RESTRICTED TO			
MATERIAL		WEIGHT			
FINISH		CUSTOMER DRAWING			
		SCALE 1:1 SHEET 1 OF 6 REV K			

AMP 3357-7 REV 31MM0200

1-1437625-1

A

4

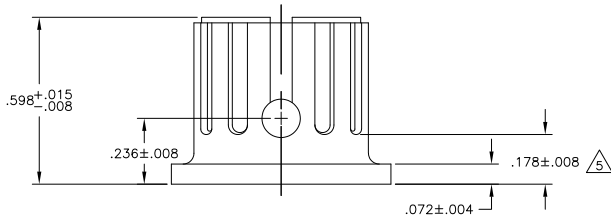
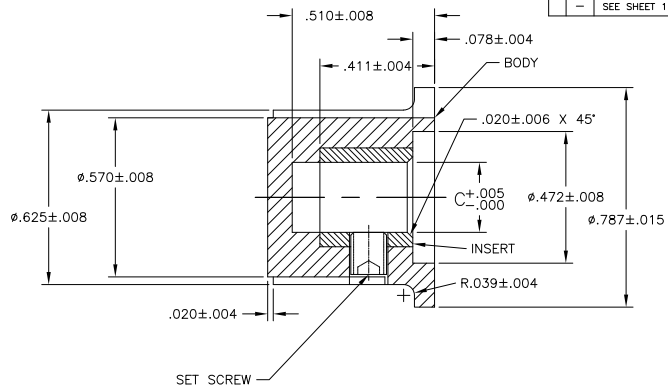
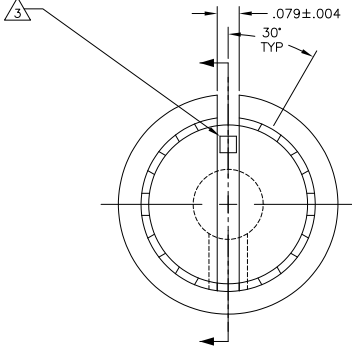
3

2

1

THIS DRAWING IS UNPUBLISHED. RELEASED FOR PUBLICATION
 © COPYRIGHT BY TYCO ELECTRONICS CORPORATION. ALL RIGHTS RESERVED.

LOC	DIST	REVISIONS			
P	LTR	DESCRIPTION	DATE	BY	APD
AD	0	SEE SHEET 1			



#6-32 X .125	.126	PKX60B1/8	1-1437625-7
#6-32 X .125	.251	PKX60B1/4	1-1437625-6
SET SCREW	C	MODEL NUMBER	PART NUMBER

THIS DRAWING IS A CONTROLLED DOCUMENT.		BY M. BINNER	12MAR03	Tyco Electronics Corporation Harrisburg, PA 17105	
DIMENSIONS:	INCHES	OTHER DIMENSIONS:	OTHER DIMENSIONS:	NAME	PKX SERIES KNOB
0 PLC	± .005	1 PLC	± .004	APVD	
2 PLC	± .004	3 PLC	± .004	PRODUCT SPEC	
4 PLC	± .004	5 PLC	± .004	APPLICATION SPEC	
ANGLES	± .1°	FINISH		WEIGHT	
MATERIAL				SIZE	CAGE CODE DRAWING NO. RESTRICTED TO
				A2	00779 C=1-1437625-1
				CUSTOMER DRAWING	SCALE 1:1 SHEET 2 OF 6 REV K

AMP 3307-7 REV 31MM0200

1-1437625-1

4

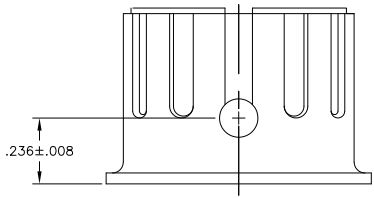
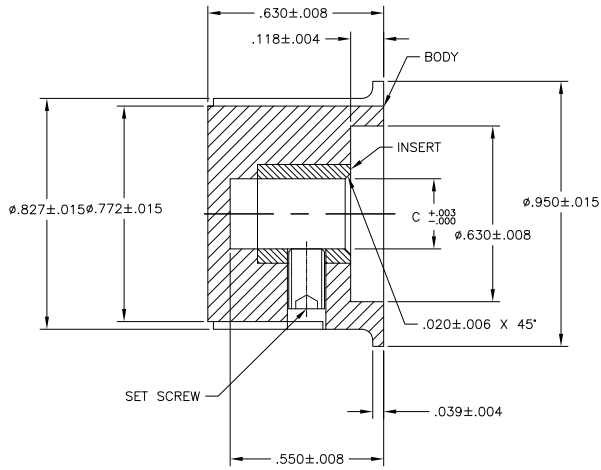
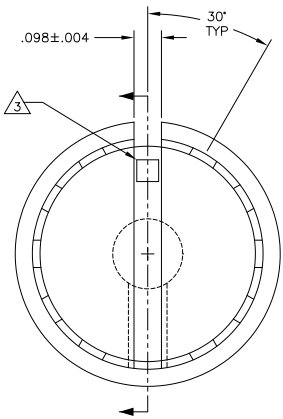
3

2

1

THIS DRAWING IS UNPUBLISHED. RELEASED FOR PUBLICATION
 © COPYRIGHT BY TYCO ELECTRONICS CORPORATION. ALL RIGHTS RESERVED.

LOC	DIST	REVISIONS			
P	LTR	DESCRIPTION	DATE	BY	APPD
AD	0	SEE SHEET 1			



OBSOLETE	#6-32 X .250	.251	PKX80B1/4	1-1437625-8
	SET SCREW	C	MODEL NUMBER	PART NUMBER
	SHAFT HOLE			

THIS DRAWING IS A CONTROLLED DOCUMENT.		BY M. BINNER	12MAR03	Tyco Electronics Corporation Harrisburg, PA 17105	
DIMENSIONS:	UNLESS OTHERWISE SPECIFIED:	APVD	NAME	PKX SERIES KNOB	
INCHES	0.001	PRODUCT SPEC	APPLICATION SPEC	SIZE	CAGE CODE
0.001	0.001	0.001	0.001	A2	00779
0.001	0.001	0.001	0.001	C=	1-1437625-1
0.001	0.001	0.001	0.001	RESTRICTED TO	
0.001	0.001	0.001	0.001	WEIGHT	
0.001	0.001	0.001	0.001	CUSTOMER DRAWING	SCALE 1:1 SHEET 3 OF 6 REV K

AMP 3307-7 REV 31MM0200

1-1437625-1

4

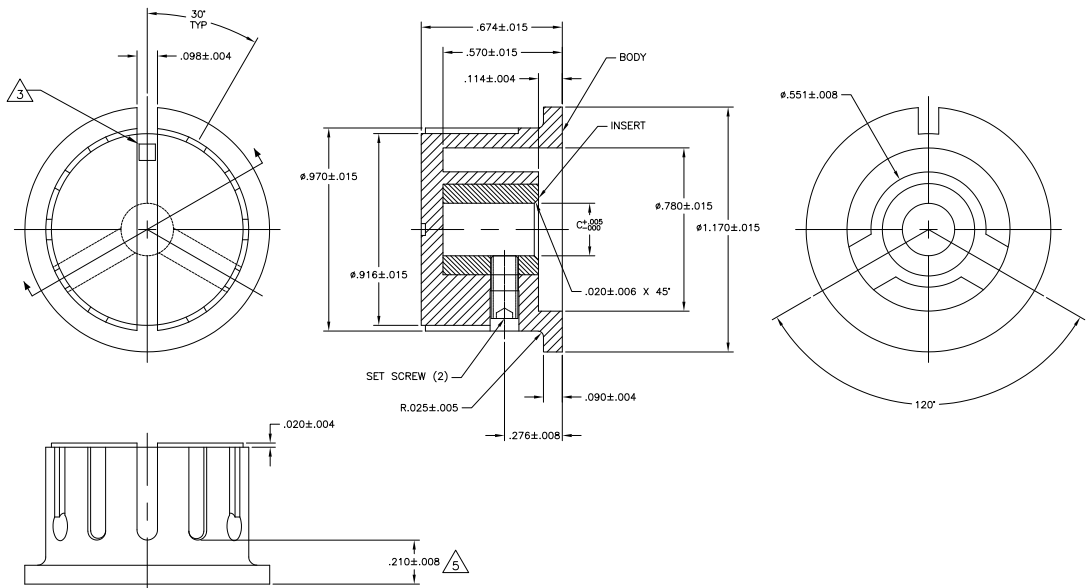
3

2

1

THIS DRAWING IS UNPUBLISHED. RELEASED FOR PUBLICATION
 © COPYRIGHT BY TYCO ELECTRONICS CORPORATION. ALL RIGHTS RESERVED.

LOC	DIST	REVISIONS			
P	LTR	DESCRIPTION	DATE	BY	APP
AD	0	SEE SHEET 1			



#6-32 X .313	.251	PKX100B1/4	1-1437625-1
SET SCREW	C	MODEL NUMBER	PART NUMBER
SHAFT HOLE			

THIS DRAWING IS A CONTROLLED DOCUMENT.		BY M. BINNER	12MAR03	Tyco Electronics Corporation Harrisburg, PA 17105	
DIMENSIONS:	INCHES	OTHER UNITS:	OTHER UNITS:	NAME	PKX SERIES KNOB
0 PLC	± .005	1 PLC	± .004	APPLICATION SPEC	
2 PLC	± .004	3 PLC	± .004	SIZE	CAGE CODE
4 PLC	± .004	5 PLC	± .004	WEIGHT	DRAWING NO.
ANGLES	± .1°	FINISH		A2	00779
MATERIAL				C=	1-1437625-1
				CUSTOMER DRAWING	RESTRICTED TO
				SCALE	1:1
				SHEET	4 OF 6
				REV	K

AMP 3307-7 REV 31MM0200

1-1437625-1

A

4

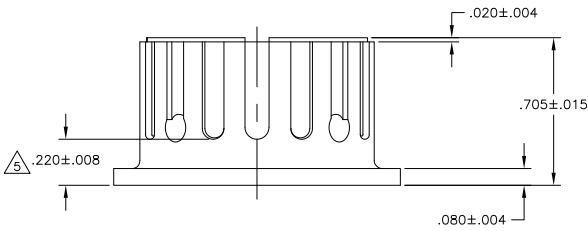
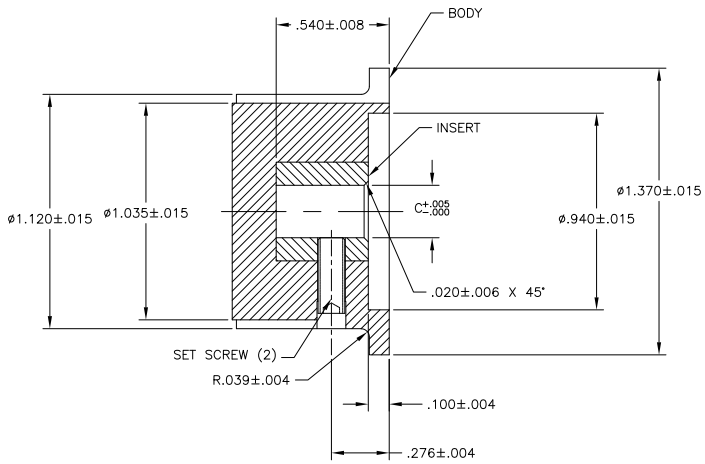
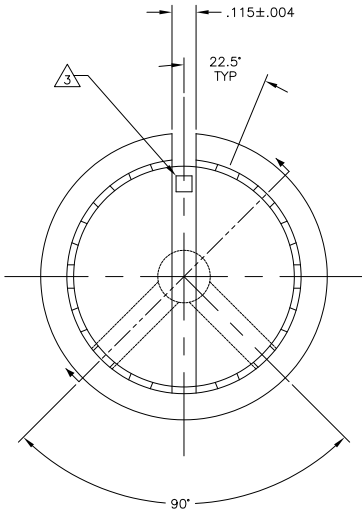
3

2

1

THIS DRAWING IS UNPUBLISHED. RELEASED FOR PUBLICATION
 © COPYRIGHT BY TYCO ELECTRONICS CORPORATION. ALL RIGHTS RESERVED.

LOC	DIST	REVISIONS			
P	LTR	DESCRIPTION	DATE	BY	APPD
AD	0	SEE SHEET 1			



#6-32 X .313	.251	PKX110B1/4	1-1437625-2
SET SCREW	C	MODEL NUMBER	PART NUMBER

THIS DRAWING IS A CONTROLLED DOCUMENT.		BY M. BINNER	DATE 12MAR03	Tyco Electronics Corporation Harrisburg, PA 17105	
DIMENSIONS:	UNLESS OTHERWISE SPECIFIED:	APPROVED	NAME	PKX SERIES KNOB	
INCHES	0 PLC ± .005	PRODUCT SPEC		SIZE	CAGE CODE
	1 PLC ± .004	APPLICATION SPEC		A2	00779
	2 PLC ± .004	WEIGHT		C=1-1437625-1	
	3 PLC ± .004			SCALE	1:1
	4 PLC ± .004			SHEET	5 OF 6
	ANGLES ± .2°			REV	K
MATERIAL	FINISH	CUSTOMER DRAWING			

AMP 3357-7 REV 31MM0200

1-1437625-1

A

4

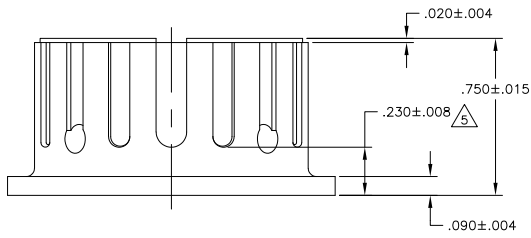
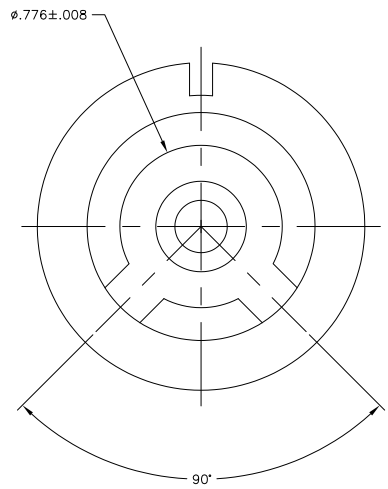
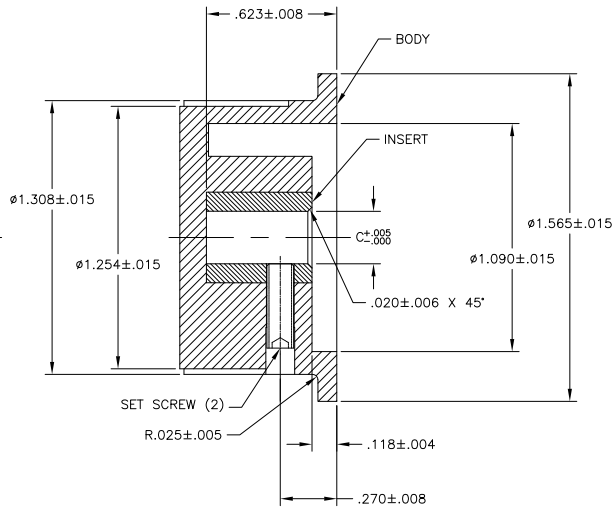
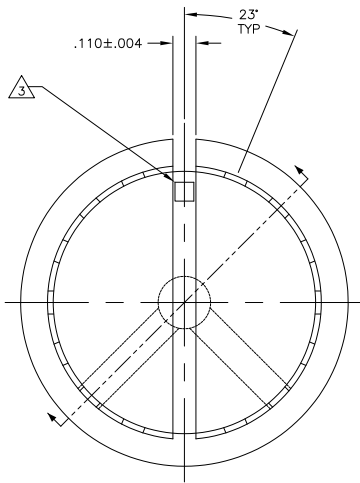
3

2

1

THIS DRAWING IS UNPUBLISHED. RELEASED FOR PUBLICATION
 © COPYRIGHT BY TYCO ELECTRONICS CORPORATION. ALL RIGHTS RESERVED.

LOC	DIST	REVISIONS			
P	LTR	DESCRIPTION	DATE	BY	APPD
AD	0	SEE SHEET 1			



THIS DRAWING IS A CONTROLLED DOCUMENT.		REV	12MAR03	PKX130B1/4	1-1437625-3
DIMENSIONS:		DESIGNER	M. SINNER	MODEL NUMBER	PART NUMBER
INCHES		APPROVED		SHAFT HOLE	
TOLERANCES UNLESS OTHERWISE SPECIFIED:		NAME	Tyco Electronics Corporation	SIZE	CAGE CODE
0 PLC	± .005	PRODUCT SPEC	Harrisburg, PA 17105	00779	1-1437625-1
1 PLC	± .004	APPLICATION SPEC		00779	1-1437625-1
2 PLC	± .004	WEIGHT		00779	1-1437625-1
3 PLC	± .004	FINISH		00779	1-1437625-1
4 PLC	± .004			00779	1-1437625-1
ANGLES	± .1°			00779	1-1437625-1
MATERIAL		CUSTOMER DRAWING		SCALE	1:1
FINISH				SHEET	6 OF 6
				REV	K

AMP 3357-7 REV 31MM0200

1-1437625-1

A