



[Home Page](#)

[Linear Potentiometers](#)

[Single-Turn Potentiometers](#)

[Multi-Turn Potentiometers](#)

[Turn-Counting Dials](#)

[Industrial Joystick Controls](#)

[Industrial Foot Controllers](#)

[Valve Actuators](#)

[ROHS/WEEE](#)

[Cross Reference](#)

[ETI Systems Sales Reps](#)

[ETI Systems Distributors](#)

phone: 760.929.0749

eti@etisystems.com

MB25 Concentric Precision Turns Counting Dial



MB25 Concentric Turns Counting Dial

- Counts up to 10 turns.
- Aluminum Housing. Black Nylon Knob.
- Numbers are White on Black Background.
- Over the Center Lock Available.
- Diameter - 1"; Extension from Panel - 1.06"
- Panel Thickness - 1/16" to 1/8"

Request For Quotation (Requires User Registration)

Available Options:

Color Choices (Satin shown above)

Shaft Size

Over Center Lock (standard)

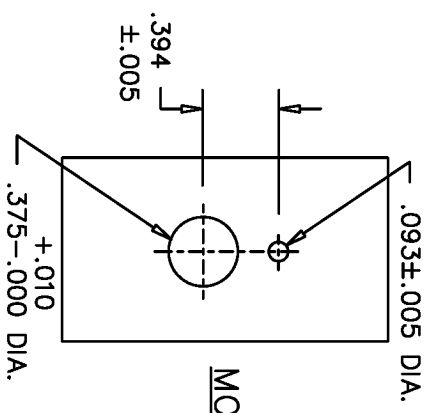
Comments & Special Requirements:

Quantity Required

Date Required

THIS DOCUMENT CONTAINS PROPRIETARY DATA OF POLARIS INDUSTRIAL ENTERPRISES, INC. NO DISCLOSURE, REPRODUCTION, OR USE OF ANY PART THERE OF MAY BE MADE EXCEPT BY WRITTEN PERMISSION.

REV.	BY	DATE	APPRVL.	P/N
B	DMS	5/12/98		MB25
				ADDED MODEL CHART

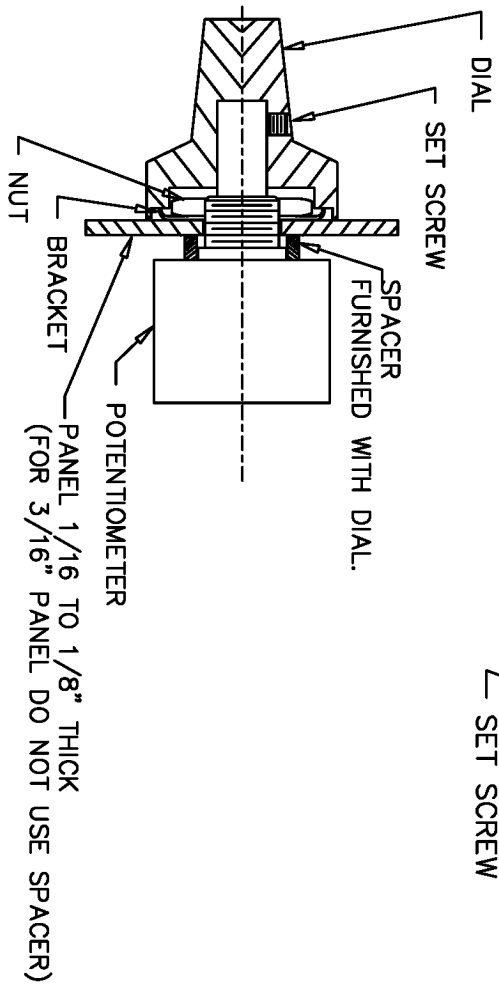
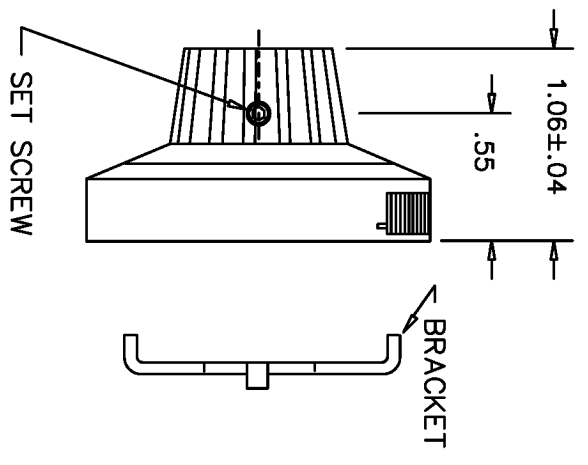
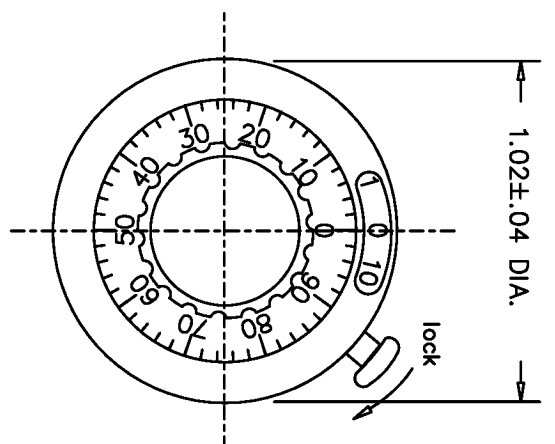


MOUNTING METHOD

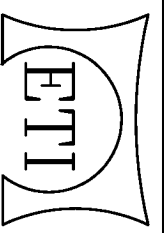
SPECIFICATIONS

NUMBER OF TURNS — UP TO 10
 NUMBER OF GRADUATIONS — 50 PER TURN
 SHAFT MTG. DIA. — SEE CHART
 LOCK DEVICE — OVER THE CENTER ACTION
 OPERATING TEMPERATURE — -30°C TO +60°C

MODEL	MATCHING SHAFT SIZE	COLOR	LOCK
MB25N-1/8	1/8	SATIN (WHITE NUMBERS)	NO
MB25N-1/4	1/4	SATIN (WHITE NUMBERS)	NO
MB25N-6MM	6MM	SATIN (WHITE NUMBERS)	NO
MBA25N-1/8	1/8	BLACK (WHITE NUMBERS)	NO
MBA25N-1/4	1/4	BLACK (WHITE NUMBERS)	NO
MBA25N-6MM	6MM	BLACK (WHITE NUMBERS)	NO
MB25L-1/8	1/8	SATIN (WHITE NUMBERS)	YES
MB25L-1/4	1/4	SATIN (WHITE NUMBERS)	YES
MB25L-6MM	6MM	SATIN (WHITE NUMBERS)	YES
MBA25L-1/8	1/8	BLACK (WHITE NUMBERS)	YES
MBA25L-1/4	1/4	BLACK (WHITE NUMBERS)	YES
MBA25L-6MM	6MM	BLACK (WHITE NUMBERS)	YES



THIS DOCUMENT CONTAINS PROPRIETARY DATA OF POLARIS INDUSTRIAL ENTERPRISES, INC. NO DISCLOSURE, REPRODUCTION, OR USE OF ANY PART THERE OF MAY BE MADE EXCEPT BY WRITTEN PERMISSION.



ETI SYSTEMS
 CARISBAD CALIFORNIA

TITLE
 CONCENTRIC

TURNING COUNTING DIAL

PART NO.

MB25

TOLERANCES	
XX = +/- .010" FRACT. = +/- 1/64"	
XXX = +/- .005" ANGLES = +/- 1/2°	
ALL SPECIFICATIONS SUBJECT TO CHANGE WITHOUT NOTICE.	
SCALE	NONE
DATE:	8-6-86
BY	
APPRVD	BT
CODE IDENT:	19477