



MF46 Concentric Precision Turns Counting Dial

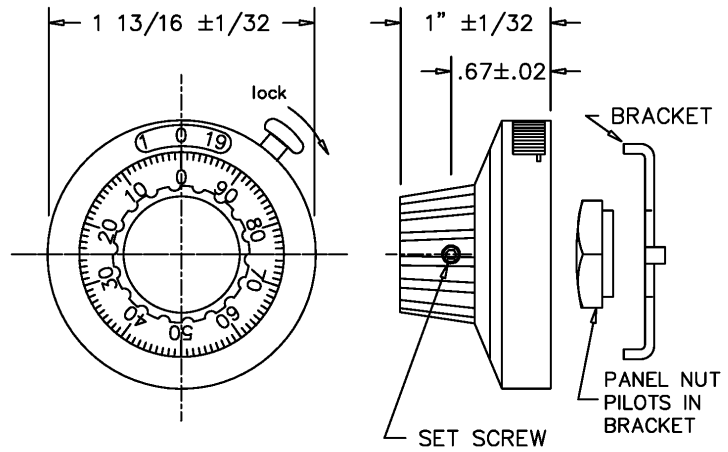


MF46 Concentric Turns Counting Dial

- Counts up to 20 turns.
- 100 Dial Gradations.
- Aluminum Housing. Black Nylon Knob.
- Numbers are White on Black Background.
- Special Flexible Coupling Prevents Irregular Rotation and Non-uniform Torque.
- Dial with 100 Gradations for Exceptional Setability.
- Over the Center Lock Available.
- Diameter - 1-13/16"; Extension from Panel - 1"

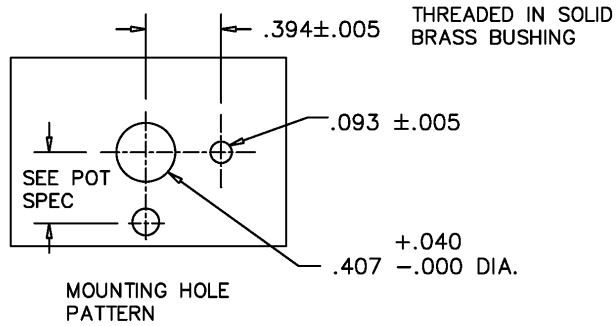
THIS DOCUMENT CONTAINS PROPRIETARY DATA OF POLARIS INDUSTRIAL ENTERPRISES, INC. NO DISCLOSURE, REPRODUCTION, OR USE OF ANY PART THERE OF MAY BE MADE EXCEPT BY WRITTEN PERMISSION.

REV.	BY	DATE	APPRVL.	P/N MF46
C	BT	10-8-98	BT	REVISED CHART



SPECIFICATIONS

NUMBER OF TURNS ----- UP TO 20
 NUMBER OF GRADUATIONS ----- 100 PER TURN
 SHAFT MTG. DIA. ----- SEE CHART
 LOCK DEVICE ----- OVER THE CENTER ACTION
 OPERATING TEMPERATURE ----- -30°C TO +60°C



MODEL	MATCHING SHAFT SIZE	COLOR	LOCK
MF46N-1/8	1/8	SATIN (WHITE NUMBERS)	NO
MF46N-1/4	1/4	SATIN (WHITE NUMBERS)	
MF46N-6MM	6MM	SATIN (WHITE NUMBERS)	
MFA46N-1/8	1/8	BLACK (WHITE NUMBERS)	NO
MFA46N-1/4	1/4	BLACK (WHITE NUMBERS)	
MFA46N-6MM	6MM	BLACK (WHITE NUMBERS)	
MF46L-1/8	1/8	SATIN (WHITE NUMBERS)	YES
MF46L-1/4	1/4	SATIN (WHITE NUMBERS)	
MF46L-6MM	6MM	SATIN (WHITE NUMBERS)	
MFA46L-1/8	1/8	BLACK (WHITE NUMBERS)	YES
MFA46L-1/4	1/4	BLACK (WHITE NUMBERS)	
MFA46L-6MM	6MM	BLACK (WHITE NUMBERS)	

TOLERANCES
 XX = +/- .010" FRACT. = +/- 1/64"
 XXX = +/- .005" ANGLES = +/- 1/2"
 ALL SPECIFICATIONS SUBJECT TO CHANGE WITHOUT NOTICE.

SCALE	DATE: 8-6-86
NONE	BY
CODE	APPRV'D BT
IDENT: 19477	



TITLE
 CONCENTRIC
 TURNS COUNTING
 DIAL

PART NO.
 MF46