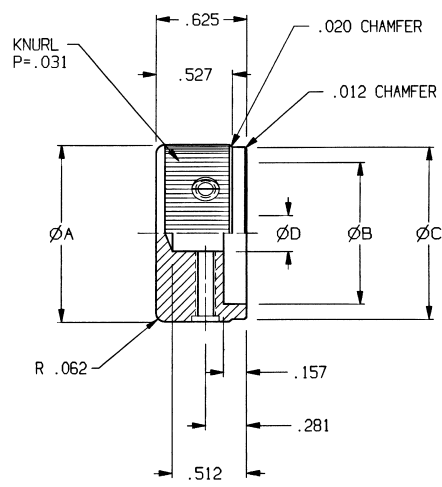
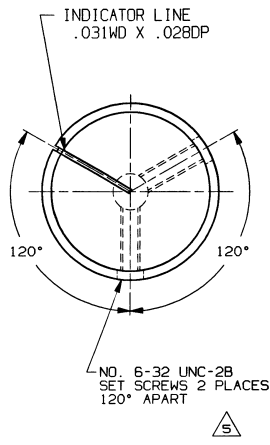


CONVERSION CHART		CONVERSION CHART	
INCH	MM	INCH	MM
.003	0,08	.500	12,70
.004	0,10	.512	13,00
.008	0,20	.527	13,38
.012	0,30	.591	15,00
.020	0,50	.625	15,87
.028	0,70	.685	17,40
.031	0,80	.709	18,00
.062	1,58	.740	18,80
.126	3,20	.882	22,41
.157	4,00	.937	23,81
.158	4,10	.984	25,00
.251	6,38	1,195	30,35
.281	7,14	1,252	31,80
.374	9,50		
.445	11,30		



**△ 6 SPECIFICATIONS:**  
 MATERIALS:  
 MATERIAL: ALUMINIUM, ANODIZED  
 FINISH: SEE TABLE.  
 SET SCREW: #6-32 UNC-2A  
 STAINLESS STEEL.

**△ 6 NOTES:**  
 1. INTERPRET DRAWING PER ASME Y14.5M-1994.

MODEL NO.	A	B	C	D	ANODIZE	INDICATOR LINE
KLN500A1/8	.500	.374	.445	.126	CLEAR	BLACK
KLN500A1/4	.500	.374	.445	.251	CLEAR	BLACK
KLN500B1/8	.500	.374	.445	.126	BLACK	WHITE
KLN500B1/4	.500	.374	.445	.251	BLACK	WHITE
KLN500S1/8	.500	.374	.445	.126	SMOKE	WHITE
KLN500S1/4	.500	.374	.445	.251	SMOKE	WHITE
KLN700A1/4	.740	.591	.685	.251	CLEAR	BLACK
KLN700B1/4	.740	.591	.685	.251	BLACK	WHITE
KLN700S1/4	.740	.591	.685	.251	SMOKE	WHITE
KLN900A1/4	.937	.709	.882	.251	CLEAR	BLACK
KLN900B1/4	.937	.709	.882	.251	BLACK	WHITE
KLN900S1/4	.937	.709	.882	.251	SMOKE	WHITE
KLN1250A1/4	1,252	.984	1,195	.251	CLEAR	BLACK
KLN1250B1/4	1,252	.984	1,195	.251	BLACK	WHITE
KLN1250S1/4	1,252	.984	1,195	.251	SMOKE	WHITE

**△ 6 OUTLINE DRAWING**  
 SPECIFICATIONS ARE SUBJECT TO CHANGES WITHOUT NOTICE

THIS IS A C.A.D. GENERATED DRAWING.  
 DO NOT MAKE MANUAL REVISIONS TO MASTER.

TOLERANCES (EXCEPT AS NOTED) ANGULAR = ±3° (NON-CUMULATIVE) DECIMAL .XX = ± DECIMAL .XXX = ±.012 DECIMAL .XXXX = ±	UNLESS OTHERWISE SPECIFIED DIMENSIONS ARE IN INCHES DO NOT SCALE PRINT	ORIGINAL DATE OF DRAWING: 9/30/91	
	FILE NAME: 802510UT DIRECTORY: H04R/KNOBS	DRAWN: B. R. DATE: 9/30/91	
MATERIAL: SEE SPECIFICATIONS	FINISH: SEE SPECIFICATIONS	CHECKED: CHM DATE: 10/10/91	DWG. NO. 1437622-1
		APPROVED: D. S. DATE: 10/10/91	
CODE IDENT. NO. 91506		DWG. SIZE C	PRODUCT CODE: M11
NEXT ASSY:		SCALE:	SHEET 1 OF 1

REV	REVISIONS
A	REVISED PER ECO-11-005284 DATE: 10APR11 APPROVED: HMR