

4

3

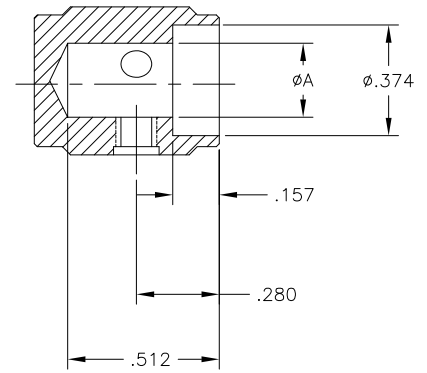
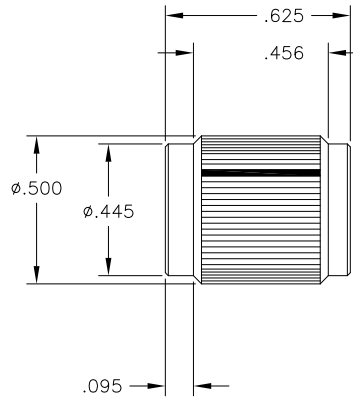
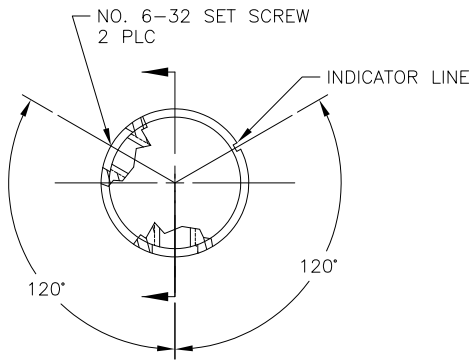
2

1

THIS DRAWING IS UNPUBLISHED. RELEASED FOR PUBLICATION. ALL RIGHTS RESERVED.

LOC AD DIST 00

REVISIONS					
P	LTR	DESCRIPTION	DATE	DWN	APVD
A1		REVISED PER ECO-11-004917	11MAR11	RK	HMR



- 1 KNOB: ALUMINUM; SET SCREWS: STAINLESS STEEL
- 2 FINISH: ANODIZED - SEE TABLE
- 3. WAS DRAWING NUMBER 80253

.251	NONE	BLACK	BLACK	KN500B1/4NL	1571193-1
	WHITE	NATURAL	BLACK	KN500BA1/4	4-1437622-8
	BLACK	BLACK	NATURAL	KN500AB1/4	4-1437622-4
	WHITE	BLACK	BLACK	KN500B1/4	4-1437622-6
.126	BLACK	NATURAL	NATURAL	KN500A1/4	4-1437622-2
	WHITE	NATURAL	BLACK	KN500BA1/8	4-1437622-9
	BLACK	BLACK	NATURAL	KN500AB1/8	4-1437622-5
	WHITE	BLACK	BLACK	KN500B1/8	4-1437622-7
A	BLACK	NATURAL	NATURAL	KN500A1/8	4-1437622-3
	INDICATOR LINE	TOP COLOR	BODY COLOR	MODEL NUMBER	PART NUMBER

THIS DRAWING IS A CONTROLLED DOCUMENT. DWN M. BINNER 030E202

CHK M. ZITTO

APVD M. ZITTO

NAME

PRODUCT SPEC

APPLICATION SPEC

WEIGHT

SIZE A3 CAGE CODE 00779 DRAWING NO 4-1437622-6 RESTRICTED TO

CUSTOMER DRAWING SCALE 3:1 SHEET 1 OF 1 REV A1

TE Connectivity

KNOB, STRAIGHT KNURL
HAIRLINE INDICATOR (KN-500)

TOLERANCES UNLESS OTHERWISE SPECIFIED:

0 PLC	± .020
1 PLC	± .015
2 PLC	± .010
3 PLC	± .005
4 PLC	± .002
ANGLES	± .005

DIMENSIONS: INCHES

FINISH