

4

3

2

1

THIS DRAWING IS UNPUBLISHED.

RELEASED FOR PUBLICATION

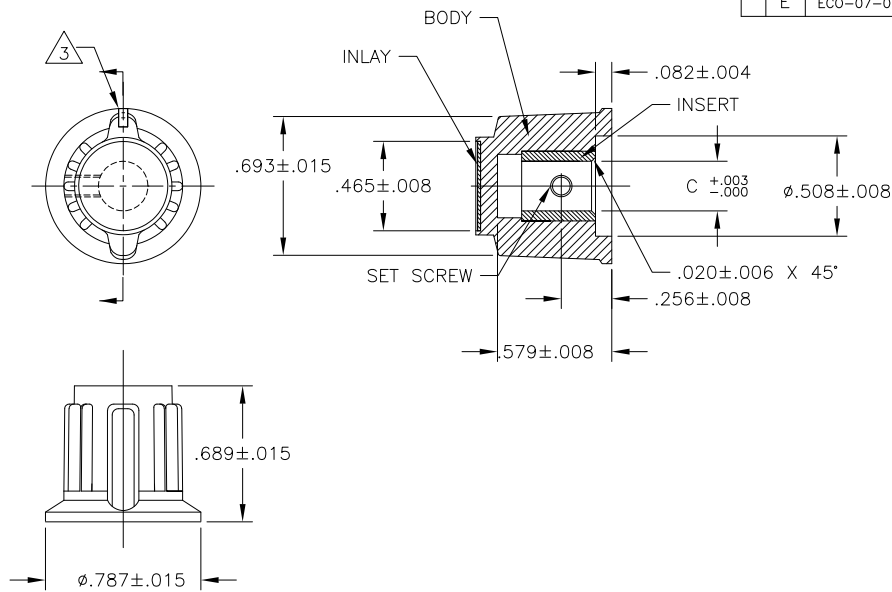
ALL RIGHTS RESERVED.

COPYRIGHT BY TYCO ELECTRONICS CORPORATION.

LOC AD
DIST 00

REVISIONS

P	LTR	DESCRIPTION	DATE	DWN	APVD
E		ECO-07-011727	27JUN2007	RB	MW



- MATERIAL AND FINISH:
INLAY: ALUMINUM .016 THK., CLEAR ACYLIC COATED
BODY: PHENOLIC, BLACK, HIGH GLOSS FINISH (SPE/SPI#A2)
SET SCREW: 303 STAINLESS STEEL, BLACK ANODIZED
INSERT: BRASS
- SET SCREW ARE UNC-2A, CUP POINT, HEX SOCKET TYPE.
- INDICATOR, PAINTED FULL, COLOR: WHITE; $.030 \pm .010$ DEEP
- RETENTION FORCE OF INSERT IN KNOB BODY: 50 LBS MIN.

#6-32 X .125	.126	PKAP50B1/8	1-1437624-9
#6-32 X .125	.251	PKAP50B1/4	1-1437624-8
SET SCREW	C	MODEL NUMBER	PART NUMBER
	SHAFT HOLE		

DIMENSIONS:		TOLERANCES UNLESS OTHERWISE SPECIFIED:	
INCHES		0 PLC	\pm
		1 PLC	\pm
		2 PLC	\pm
		3 PLC	\pm
		4 PLC	\pm
		ANGLES	$\pm 2^\circ$
MATERIAL		FINISH	

DWN	M. BINNER	25MAR03	
CHK			
APVD			
PRODUCT SPEC			
APPLICATION SPEC			
WEIGHT			
CUSTOMER DRAWING	SCALE 2:1	SHEET 1 OF 3	REV E

SIZE	A3	CAGE CODE	00779	DRAWING NO	1-1437624-8	RESTRICTED TO	
------	----	-----------	-------	------------	-------------	---------------	--

AMP 3306-7 REV 31MAR2000

4

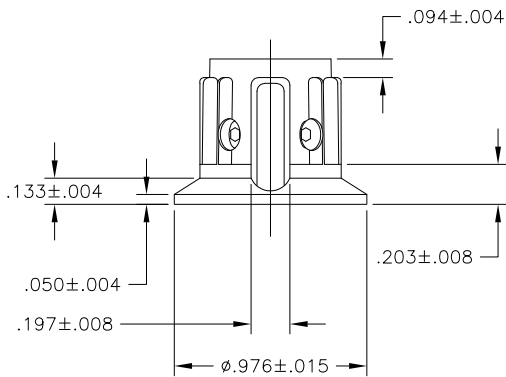
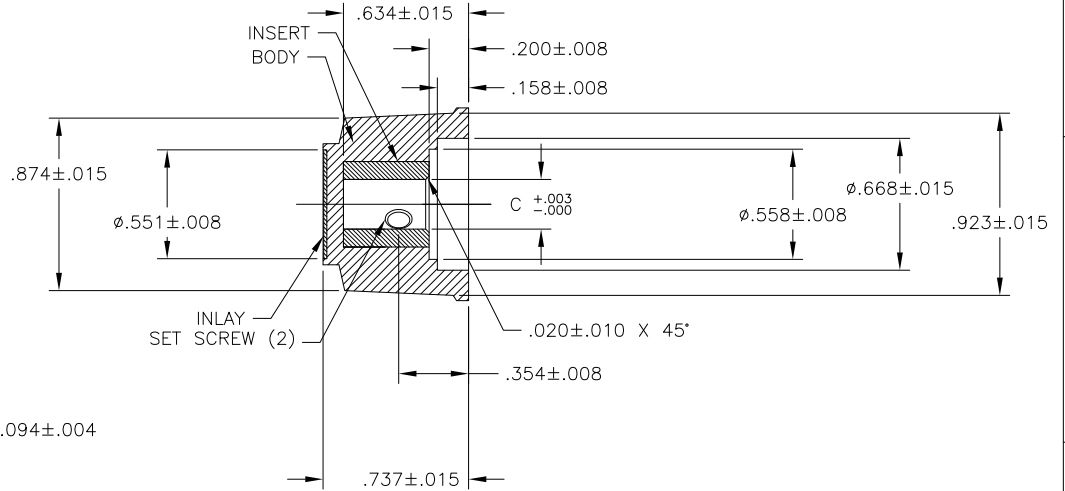
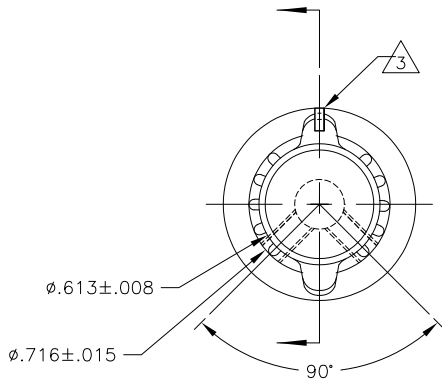
3

2

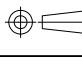
1

THIS DRAWING IS UNPUBLISHED. RELEASED FOR PUBLICATION
 © COPYRIGHT - BY TYCO ELECTRONICS CORPORATION. ALL RIGHTS RESERVED.

LOC	DIST	REVISIONS			
P	LTR	DESCRIPTION	DATE	DWN	APVD
AD	00	SEE SHEET 1	-	-	-



#6-32 X .188	.251	PKAP70B1/4	2-1437624-0
SET SCREW	C	MODEL NUMBER	PART NUMBER
SHAFT HOLE			

THIS DRAWING IS A CONTROLLED DOCUMENT.		DWN M.BINNER	25MAR03	Tyco Electronics Corporation Harrisburg, PA 17105	
DIMENSIONS: INCHES		CHK -	APVD -	NAME PKA KNOB SERIES STANDARD	
		0 PLC ± - 1 PLC ± - 2 PLC ± - 3 PLC ± - 4 PLC ± - ANGLES ± 2°		PRODUCT SPEC - APPLICATION SPEC - WEIGHT -	
MATERIAL -	FINISH -	SIZE A3		CAGE CODE 00779	DRAWING NO 1-1437624-8
CUSTOMER DRAWING			SCALE 1:1	SHEET 2	OF 3
			REV E		

AMP 3306-7 REV 31MAR2000

4

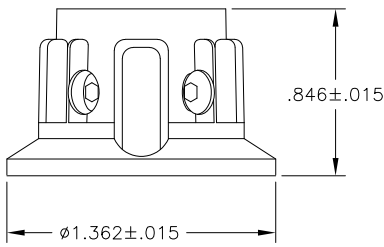
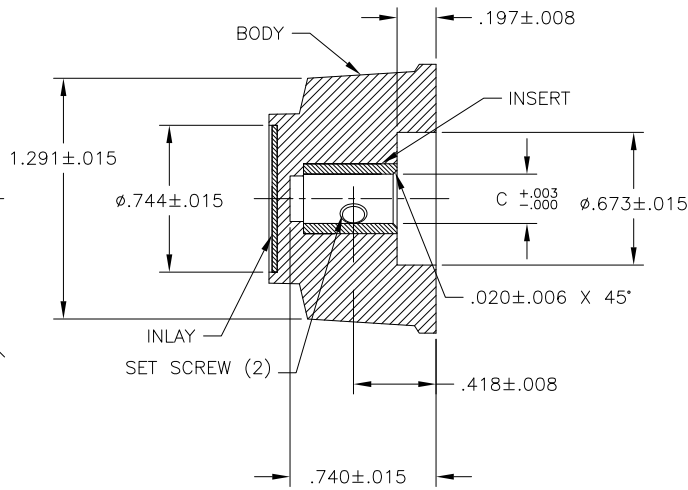
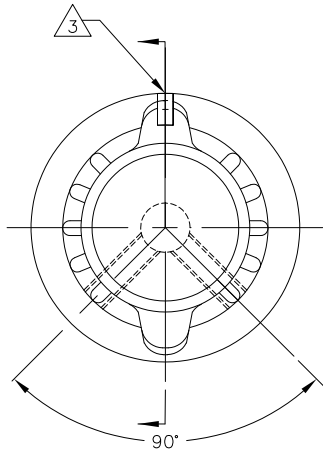
3

2

1

THIS DRAWING IS UNPUBLISHED. RELEASED FOR PUBLICATION
 © COPYRIGHT - BY TYCO ELECTRONICS CORPORATION. ALL RIGHTS RESERVED.

LOC	DIST	REVISIONS			
P	LTR	DESCRIPTION	DATE	DWN	APVD
AD	00	SEE SHEET 1	-	-	-



#6-32	.251	PKAP90B1/4	2-1437624-2
SET SCREW	C SHAFT HOLE	MODEL NUMBER	PART NUMBER

THIS DRAWING IS A CONTROLLED DOCUMENT.		DWN M. BINNER	25MAR03	Tyco Electronics Corporation Harrisburg, PA 17105															
DIMENSIONS: INCHES		CHK -	APVD -	NAME PKA KNOB SERIES STANDARD															
<table border="1"> <tr> <th>TOLERANCES UNLESS OTHERWISE SPECIFIED:</th> <th></th> </tr> <tr> <td>0 PLC</td> <td>± .005</td> </tr> <tr> <td>1 PLC</td> <td>± .004</td> </tr> <tr> <td>2 PLC</td> <td>± .003</td> </tr> <tr> <td>3 PLC</td> <td>± .002</td> </tr> <tr> <td>4 PLC</td> <td>± .001</td> </tr> <tr> <td>ANGLES</td> <td>± 2°</td> </tr> </table>		TOLERANCES UNLESS OTHERWISE SPECIFIED:		0 PLC	± .005	1 PLC	± .004	2 PLC	± .003	3 PLC	± .002	4 PLC	± .001	ANGLES	± 2°	PRODUCT SPEC -	APPLICATION SPEC -	SIZE A3	RESTRICTED TO -
TOLERANCES UNLESS OTHERWISE SPECIFIED:																			
0 PLC	± .005																		
1 PLC	± .004																		
2 PLC	± .003																		
3 PLC	± .002																		
4 PLC	± .001																		
ANGLES	± 2°																		
MATERIAL -	FINISH -	WEIGHT -	CAGE CODE 00779	DRAWING NO 1-1437624-8	CUSTOMER DRAWING														
			SCALE 1:1	SHEET 3 OF 3	REV E														

AMP 3306-7 REV 31MAR2000