

4

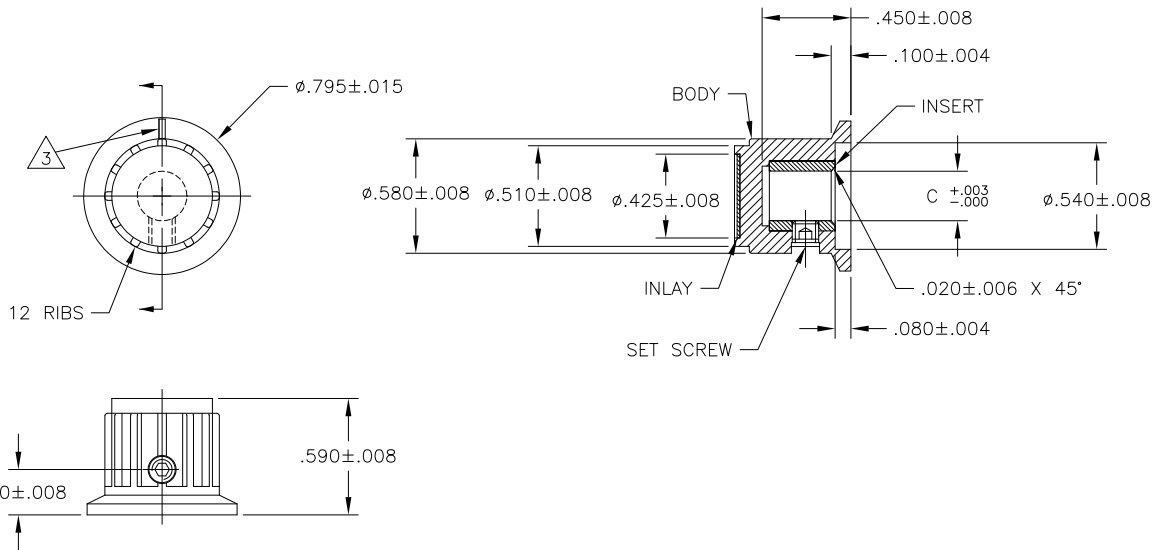
3

2

1

THIS DRAWING IS UNPUBLISHED. RELEASED FOR PUBLICATION
 © COPYRIGHT - By - ALL RIGHTS RESERVED.

LOC	DIST	REVISIONS			
P	LTR	DESCRIPTION	DATE	DWN	APVD
AD	0				
	D1	REVISED PER ECO-11-004917	11MAR11	RK	HMR



- MATERIAL AND FINISH:
 SKIRT AND INLAY: ALUMINUM .016 THK., CLEAR ACRYLIC COATED
 BODY: PHENOLIC, BLACK, HIGH GLOSS FINISH (SPE/SP1#A2)
 SET SCREW: 303 STAINLESS STEEL, BLACK ANODIZED
 INSERT: BRASS

2 SET SCREW ARE UNC-2A, CUP POINT, HEX SOCKET TYPE.

3 INDICATOR, PAINTED FULL, COLOR: WHITE; .02 ± 0.01 DEEP

- RETENTION FORCE OF INSERT IN KNOB BODY: 2 LBS MIN.

#6-32 X .188	.126	PKA50B1/8	1-1437624-1
#6-32 X .125	.251	PKA50B1/4	1-1437624-0
2 SET SCREW	C	MODEL NUMBER	PART NUMBER
	SHAFT HOLE		

DIMENSIONS:		TOLERANCES UNLESS OTHERWISE SPECIFIED:		DWN		M.BINNER		25MAR03	
INCHES				CHK					
0 PLC		± -		APVD		NAME		PKA KNOB SERIES STANDARD	
1 PLC		± -		PRODUCT SPEC					
2 PLC		± -		APPLICATION SPEC					
3 PLC		± -		WEIGHT		SIZE		CAGE CODE	
4 PLC		± -				A3		00779	
ANGLES		± -				DRAWING NO		1-1437624-0	
MATERIAL		FINISH		CUSTOMER DRAWING		SCALE		SHEET	
						2:1		1 of 4	
								REV	
								D1	

1470-19 (3/11)

4

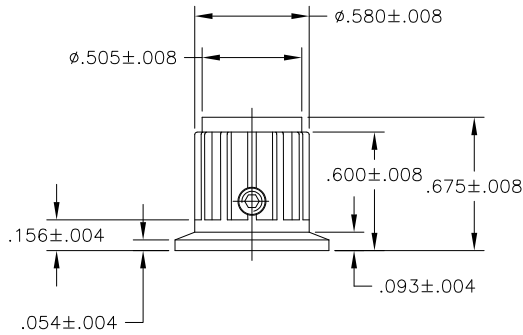
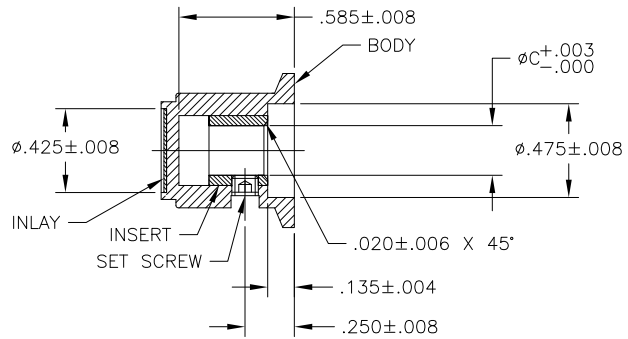
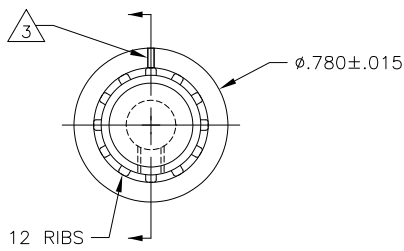
3

2

1

THIS DRAWING IS UNPUBLISHED. RELEASED FOR PUBLICATION
 © COPYRIGHT - By - ALL RIGHTS RESERVED.

LOC	DIST	REVISIONS			
P	LTR	DESCRIPTION	DATE	DWN	APVD
AD	0	SEE SHEET 1	-	-	-



#6-32 X .188	.126	PKA55B1/8	1-1437624-4
#6-32 X .125	.251	PKA55B1/4	1-1437624-3
SET SCREW	C	MODEL NUMBER	PART NUMBER
SHAFT HOLE			

DIMENSIONS:		TOLERANCES UNLESS OTHERWISE SPECIFIED:	
INCHES			
0 PLC	± .005	0 PLC	± .005
1 PLC	± .004	1 PLC	± .004
2 PLC	± .003	2 PLC	± .003
3 PLC	± .002	3 PLC	± .002
4 PLC	± .001	4 PLC	± .001
ANGLES	± .001	ANGLES	± .001
MATERIAL		FINISH	

DWN M. BINNER	25MAR03	TE Connectivity	
CHK		PKA KNOB SERIES STANDARD	
APVD		SIZE	CAGE CODE
PRODUCT SPEC		A3	00779
APPLICATION SPEC		DRAWING NO	RESTRICTED TO
WEIGHT		C-1-1437624-0	
CUSTOMER DRAWING	SCALE 1:1	SHEET 2 of 4	REV D1

4

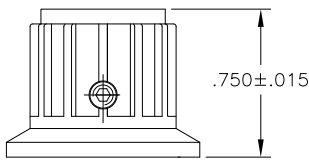
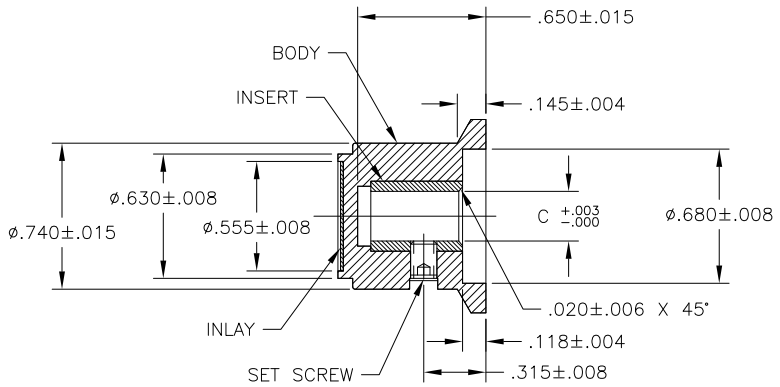
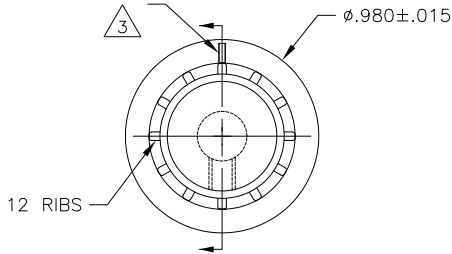
3

2

1

THIS DRAWING IS UNPUBLISHED. RELEASED FOR PUBLICATION
 © COPYRIGHT - By - ALL RIGHTS RESERVED.

LOC	DIST	REVISIONS			
P	LTR	DESCRIPTION	DATE	DWN	APVD
AD	0	SEE SHEET 1	-	-	-



#6-32 X .188	.251	PKA70B1/4	1-1437624-5
SET SCREW	C	MODEL NUMBER	PART NUMBER
SHAFT HOLE			

THIS DRAWING IS A CONTROLLED DOCUMENT.		DWN	M. BINNER	25MAR03
DIMENSIONS:		CHK	-	-
INCHES		APVD	-	-
TOLERANCES UNLESS OTHERWISE SPECIFIED:		NAME	PKA KNOB SERIES STANDARD	
0 PLC	± .-	PRODUCT SPEC	-	
1 PLC	± .-	APPLICATION SPEC	-	
2 PLC	± .-	SIZE	A3	RESTRICTED TO
3 PLC	± .-	CAGE CODE	00779	
4 PLC	± .-	DRAWING NO	C-1-1437624-0	
ANGLES	± .-	WEIGHT	-	
MATERIAL	FINISH	CUSTOMER DRAWING	SCALE 1:1	SHEET 3 of 4
-	-			REV D1

4

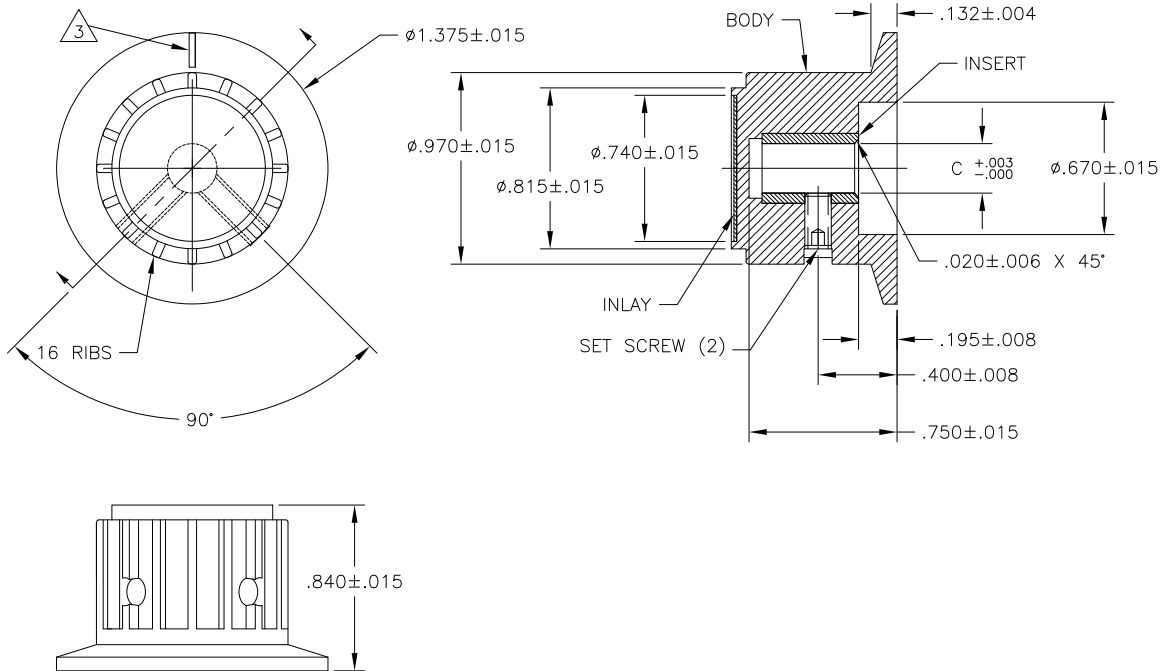
3

2

1

THIS DRAWING IS UNPUBLISHED. RELEASED FOR PUBLICATION
 © COPYRIGHT - By - ALL RIGHTS RESERVED.

LOC	DIST	REVISIONS			
P	LTR	DESCRIPTION	DATE	DWN	APVD
AD	0	SEE SHEET 1	-	-	-



#6-32 X .188	.251	PKA90B1/4	1-1437624-7
SET SCREW	C	MODEL NUMBER	PART NUMBER
SHAFT HOLE			

THIS DRAWING IS A CONTROLLED DOCUMENT.		DWN	M. BINNER	25MAR03
DIMENSIONS:		CHK	-	-
INCHES		APVD	-	-
TOLERANCES UNLESS OTHERWISE SPECIFIED:		PRODUCT SPEC	-	-
0 PLC	± .001	APPLICATION SPEC	-	-
1 PLC	± .002	WEIGHT	-	-
2 PLC	± .003	SIZE	A3	00779
3 PLC	± .004	CAGE CODE	C	1-1437624-0
4 PLC	± .005	DRAWING NO	-	-
ANGLES	± .001	RESTRICTED TO	-	-
MATERIAL	FINISH	CUSTOMER DRAWING	SCALE	1:1
-	-		SHEET	4 of 4
			REV	D1