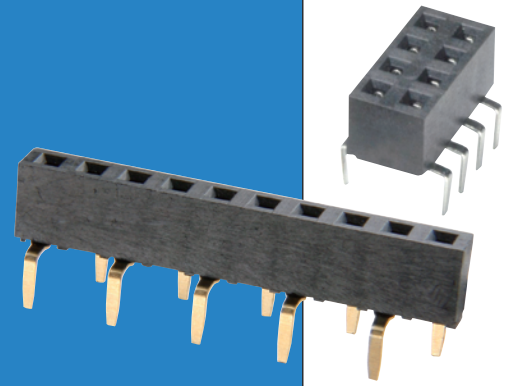


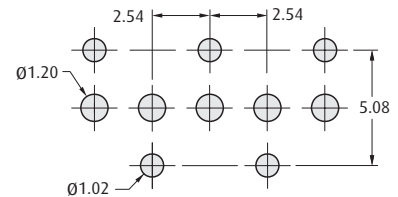
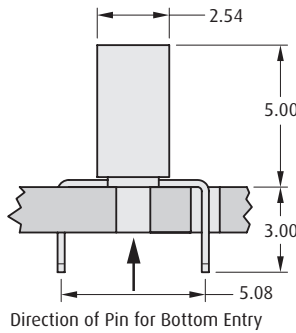
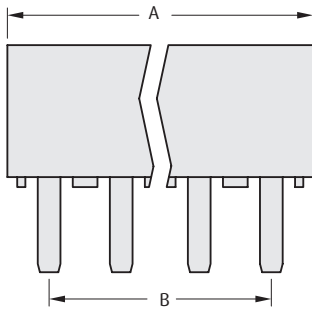
# M20 Connectors

## Female Dual Entry PC Tail

- ❖ Suitable for use with M20-997 bottom entry pin headers shown on page 133.
- ❖ Can be used as either top or bottom entry connectors.



### SINGLE ROW

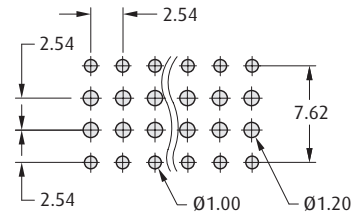
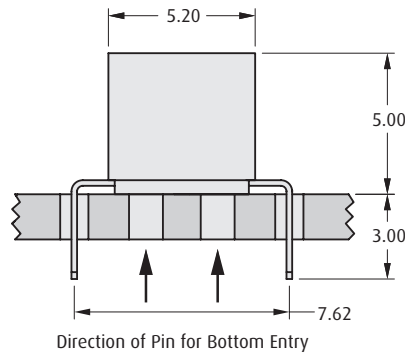
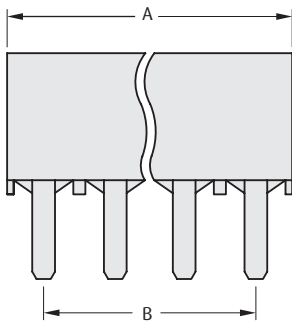


Recommended PC Board Pattern

### CALCULATION

<b>A</b>	$(2.54 \times \text{No. of ways per row}) + 0.5$
<b>B</b>	$2.54 \times (\text{No. of ways per row} - 1)$

### DOUBLE ROW



Recommended PC Board Pattern

### HOW TO ORDER

**M20 - 78 X XX XX**

#### SERIES CODE

#### TYPE

<b>4</b>	Single Row
<b>5</b>	Double Row

#### FINISH

<b>42</b>	Gold + Tin	
<b>46</b>	Tin	

#### NO. OF WAYS PER ROW

**02 to 40**

All dimensions in mm.

[www.harwin.com](http://www.harwin.com)

2.54mm (.100") PITCH

