

## SERIES 95C 6mm Square, Non-washable

### FEATURES

- Excellent Tactile Feedback
- Thru-hole, Gull Wings, and Right Angle Versions
- Surface Mount Versions  
Compatible with SMT Assembly  
Including Infrared and Vapor Phase

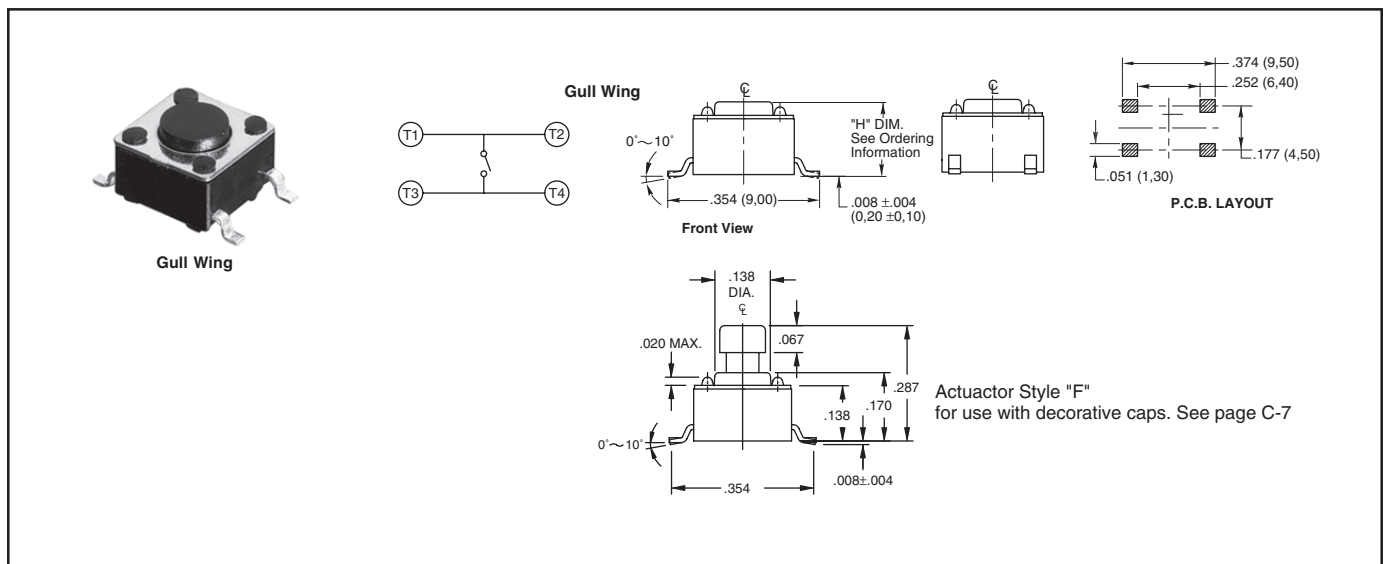
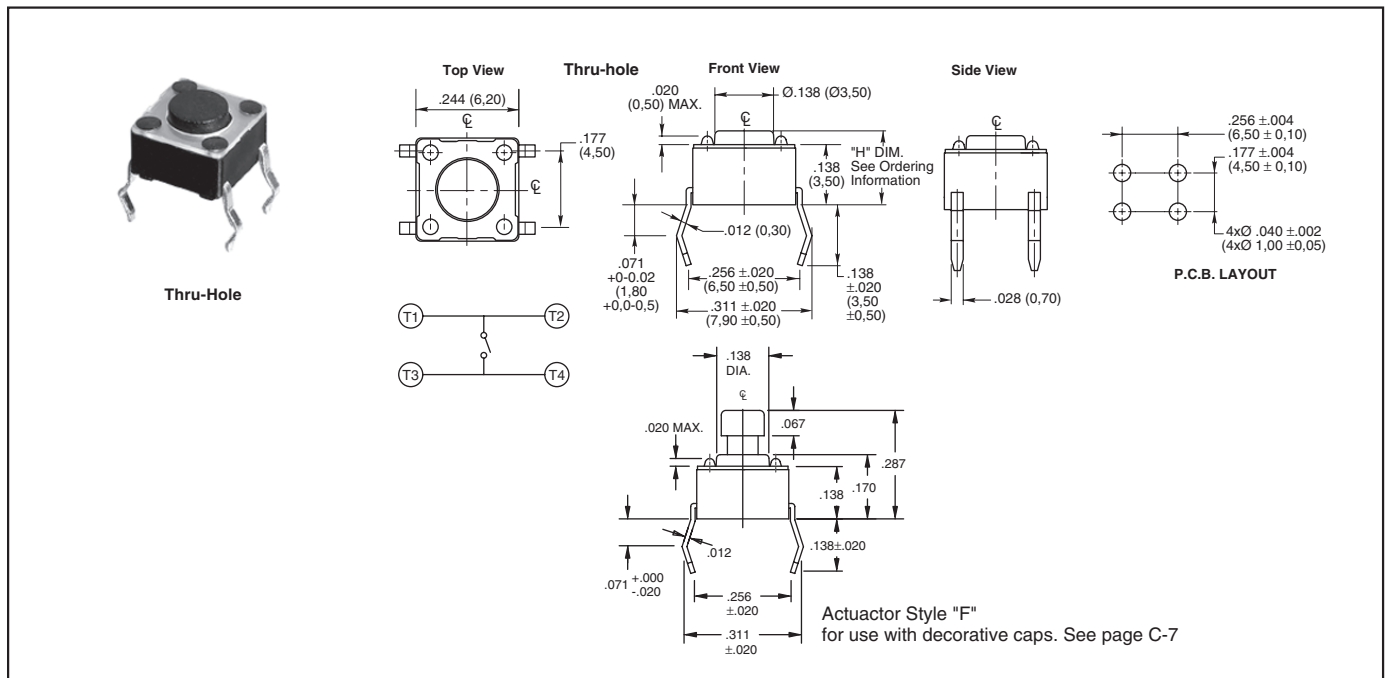
- Ultraminiature and Lightweight  
Structure Suitable for High Density  
Mounting

### APPLICATIONS

Used in applications such as consumer electronics, audio equipment, PCs, VCRs, cable boxes, modems, communications equipment, controls, security and alarm equipment, and test and measurement equipment.

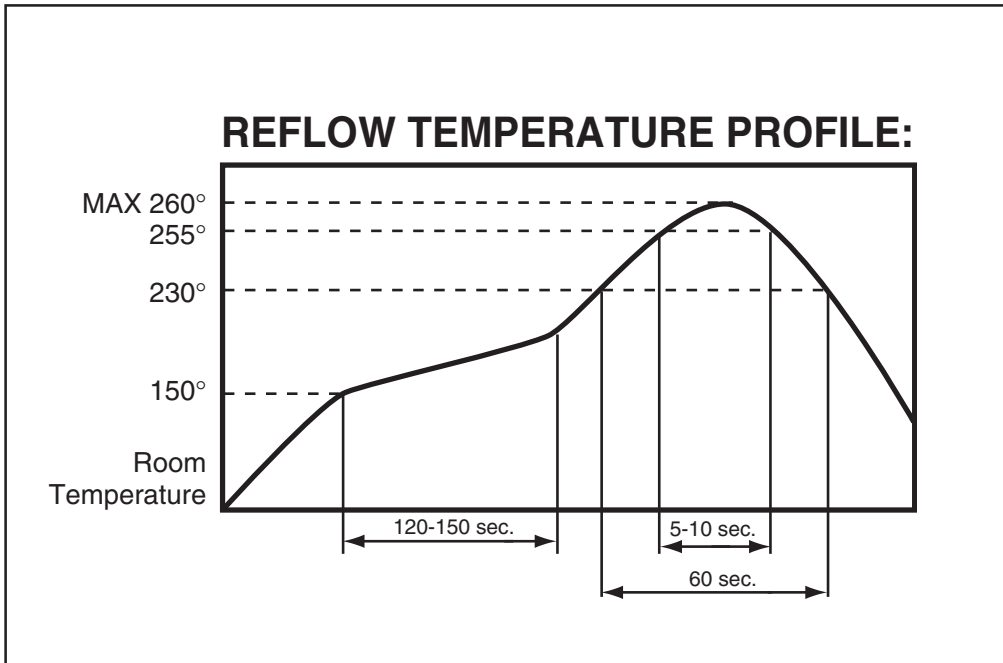
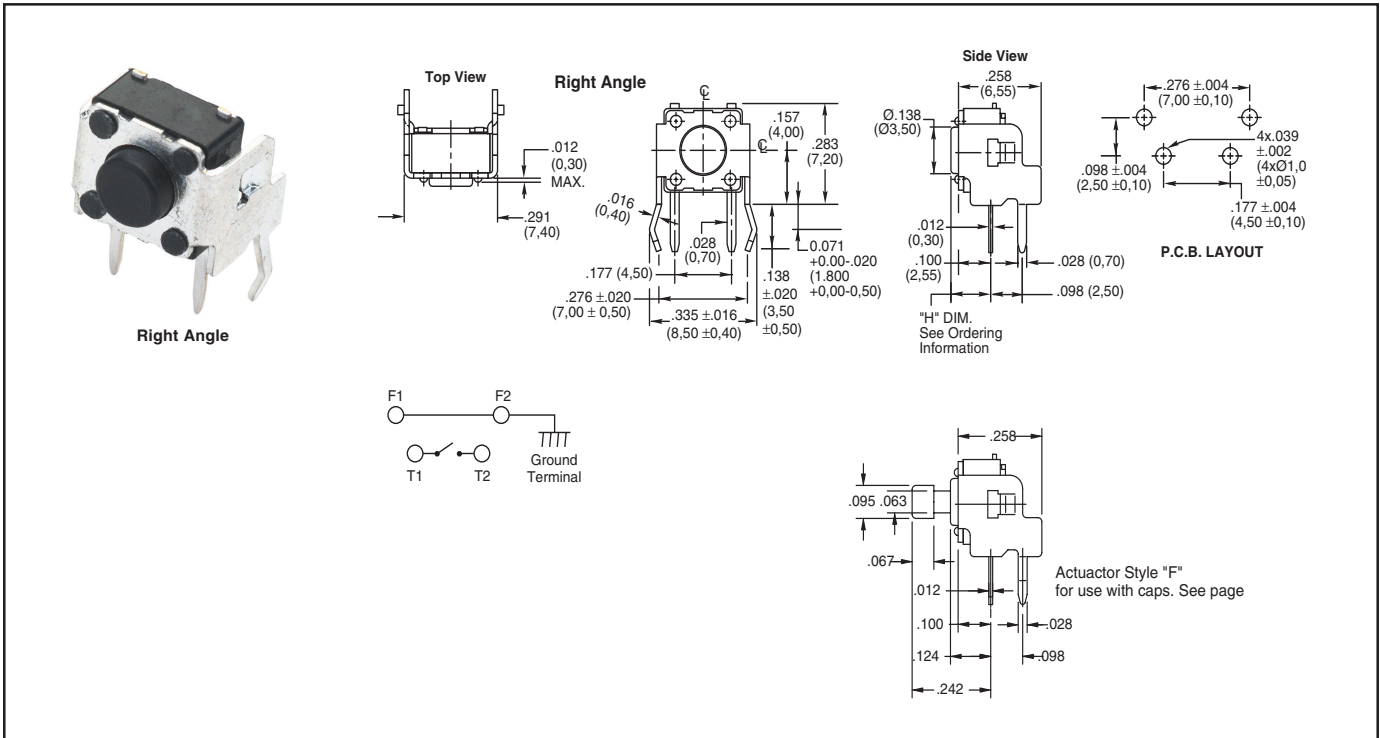


### DIMENSIONS: Non-Washable Switches In inches (and millimeters)



Tact. Switches

**DIMENSIONS: Non-Washable Switches** In inches (and millimeters)



Tact Switches

## ORDERING INFORMATION: Non-Washable Switches

<p><b>Thru-Hole and Gull Wing</b></p> <p><b>95C06A2GWRT</b></p>	<p><b>Series</b>  <b>Size:</b> 06 = 6mm Square  <b>Height ("H"):</b> A = .169 (4,29), B = .197 (5,00), C = .276 (7,01), D = .374 (9,50), E = .512 (13,00)          F = .287 (7,29) for use with decorative caps  <b>RoHS compliant</b>  <b>Packaging:</b> Blank = Tube or bulk, R = Tape and Reel (see pkg note)  <b>Terminal Style:</b> Blank = Thru-hole, GW = Gull Wing  <b>Operating Force (Actuator Color):</b> 2 = 100g (Black), 3 = 160g (Brown), 4 = 260g (Red), 5 = 320g (Orange), 6 = 520g (Yellow)</p>
<p><b>Right Angle</b></p> <p><b>95C06A2RAT</b></p>	<p><b>Series</b>  <b>Size:</b> 06 = 6mm Square  <b>Height ("H"):</b> A = .124 (3,14), B = .152 (3,86), C = .230 (5,84), D = .329 (8,36), E = .467 (11,86)          F = .242 (6,15) for use with decorative caps  <b>RoHS compliant</b>  <b>Terminal Style:</b> RA = Right Angle  <b>Operating Force (Actuator Color):</b> 2 = 100g (Black), 3 = 160g (Brown), 4 = 260g (Red)</p>

**Packaging** Thru-Hole: Bulk, 1000 pcs/bag. Surface Mount: 77 pcs/tube, 1000 pcs/reel (.169" height), 900 pcs/reel (.197" height), 500 pcs/reel (.276" and .287" height), 380 pcs/reel (.374" height). Right Angle: Bulk, 1000 pcs/bag.

## SPECIFICATIONS:

### Non-Washable Switches

#### Materials

**Base:** UL94V-0 Nylon thermoplastic  
**Cover:** Stainless steel, tin-plated steel  
**Actuator:** UL94V-0 Nylon thermoplastic  
**Terminal:** Brass with silver-plating  
**Contact:** Stainless steel with silver-plating  
**Cap:** Thermoplastic ABS

#### Electrical

**Rating:** 50mA, 12 Vdc  
**Life:** 100g, 160g: 1,000,000 cycles;  
 260g: 500,000 cycles  
 320g, 520g, 300,000 cycles  
**Actuator Travel:** .010" + .008" / - .004"  
**Contact Resistance:** 100 mΩ max.  
**Insulation Resistance:** 100 MΩ min. at 500Vdc

**Dielectric Strength:** No dielectric breakdown after 250V for one minute

**Contact Arrangement:** single pole, single throw

#### Environmental

**Operating Temp. Range:** -25 to 70°C  
**Storage Temp. Range:** -30 to 80°C  
**Mechanical Shock:** MIL-STD-202F, Method 213B, Test Condition A. Gravity: 50G's (peak value), 11 msec. Direction and times: 6 sides and 3 times in each direction. High reliability.  
**Vibration:** MIL-STD-202F, Method 201A. Passed 6 hours (2 hours in each) of three perpendicular planes at a cycle of 10-55-10Hz/minute. High reliability.

#### Soldering Process

**Hand Soldering:** Use a soldering iron of 30 watts, controlled at 350°C for 5 seconds maximum while applying solder.

**Reflow Soldering** (surface mount versions only): Peak temperature 260°C (500°F).

**Wave Soldering:** 260°C (500°F) maximum for 5 seconds subject to PCB .063 in. (1,6mm) thickness.

#### Available from your local Grayhill Component Distributor.

For prices and discounts, contact a local Sales Office, an authorized local distributor, or Grayhill.

## DECORATIVE CAPS (for use with "F" style square actuators)

**6mm SQUARE**

figure 1

**6mm ROUND**

figure 2

PART NUMBER	SWITCH SIZE	SHAPE	COLOR	FIGURE
95CAP-000	6mm	SQUARE	YELLOW	1
95CAP-001	6mm	SQUARE	BLUE	1
95CAP-002	6mm	SQUARE	RED	1
95CAP-003	6mm	SQUARE	NATURAL	1
95CAP-004	6mm	SQUARE	BLACK	1
95CAP-005	6mm	SQUARE	GREEN	1
95CAP-006	6mm	SQUARE	ORANGE	1
95CAP-010	6mm	ROUND	YELLOW	2
95CAP-011	6mm	ROUND	BLUE	2
95CAP-012	6mm	ROUND	RED	2
95CAP-013	6mm	ROUND	NATURAL	2
95CAP-014	6mm	ROUND	BLACK	2
95CAP-015	6mm	ROUND	GREEN	2
95CAP-016	6mm	ROUND	ORANGE	2