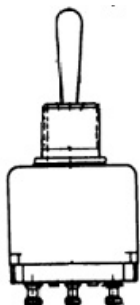




2TW1-2



Actual product appearance may vary.

TW Series Toggle Switch, 2 pole, 2 position, Solder terminal, Standard Lever, Military Part Number MS27717-22-1

Features

- Qualified to MIL-S-83731
- Save space and weight
- SPDT and DPDT circuitry
- Temperature range: -85°F to +160°F (-65°C to +71°C)
- Sealed bushing versions
- Choice of 1/8 in. or 15/32 in. bushing
- Color tab available on 15/32 in. bushing
- UL recognized

Potential Applications

- Industrial machinery and equipment
- Military and commercial aviation
- Construction equipment
- Test instruments
- Agricultural machinery
- Process control
- Medical instrumentation

Description

MICRO SWITCH™ miniature toggle switches in two bushing sizes. Molded-in terminals are plated for soldering. Momentary and maintained circuitry closures available. Special on-on-on circuitries are also available. Pull-to-unlock levers prevent accidental operation.

Product Specifications		
Circuitry/Operating action	<p>Keyway Position</p> <p>2 3</p> <p>6 5</p> <p>OFF</p>	<p>Opposite Keyway Position</p> <p>2 3</p> <p>6 5</p> <p>ON</p>
Product Type	MICRO SWITCH™ Toggle Switch	

Ampere/Voltage Range (Resistive Load)	0.1 A to 5.0 A at 0.5 Vac to 115 Vac,0.1 A to 5.0 A at 0.5 Vdc to 28 Vdc
Circuitry	DPST
Action	2 position
Mounting	Bushing 1/4 in
Termination	Solder
Military Part Number	MS27717-22-1
Lever Type	Standard
UL/CSA Rating Code	L117: 5 A at 125 Vac
Comment	Fine silver contacts
Availability	Global
UNSPSC Code	30211908
UNSPSC Commodity	30211908 Toggle switches
Series Name	TW

2TW1 SERIES
CHART 1

M
DRAWING NUMBER
ISSUE
5

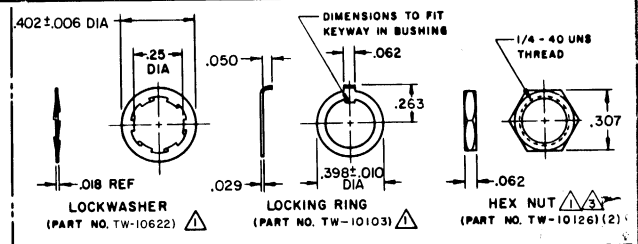
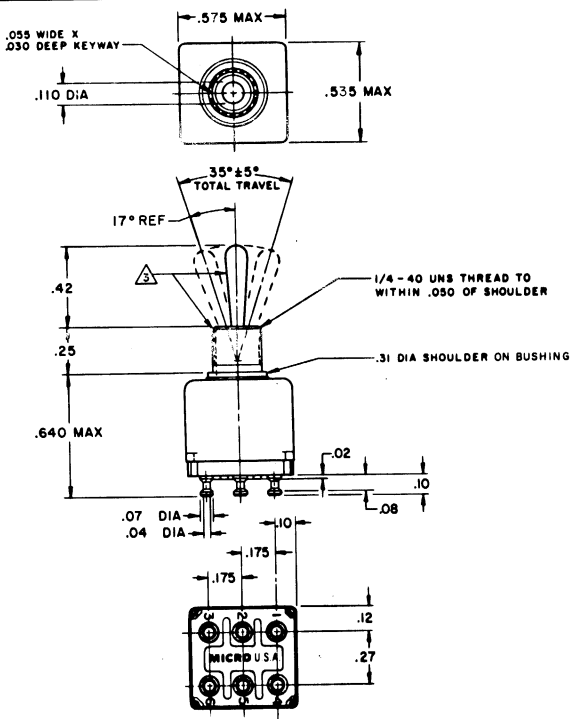
REVISIONS
A C057003
TSK 3 FEB 88
B C059206
TSK 27 MAR 88
C C062939
TSK 24 FEB 88

FORZES-1-B
DRAWN
TSK 3 FEB 88
CHECK
S FLE
CHECK

MICRO SWITCH
FREEPORT, ILLINOIS, U.S.A.
A DIVISION OF HONEYWELL
FED. MFG. CODE 91929

SWITCH-TOGGLE

CATALOG LISTING
2TW1 SERIES
CHART 1 ★



CATALOG LISTING	CIRCUIT WITH TOGGLE IN			MS NO.
	ONE EXTREME POSITION (KEYWAY) 2-1	CENTER POSITION 5-4	OTHER EXTREME POSITION (OPPOSITE KEYWAY) 2-3 5-6	
2TW1-1	ON	OFF	ON	MS27717-21-1
2TW1-2	OFF	NONE	ON	MS27717-22-1
2TW1-3	ON	NONE	ON	MS27717-23-1
2TW1-5	MOM ON	OFF	ON	MS27717-31-1
2TW1-7	MOM ON	OFF	MOM ON	MS27717-27-1
2TW1-8	MOM ON	NONE	ON	MS27717-26-1

THIS DRAWING COVERS A PROPRIETARY ITEM AND IS THE PROPERTY OF MICRO SWITCH, A DIVISION OF HONEYWELL. THIS DRAWING IS NOT TO BE COPIED OR USED WITHOUT THE APPROVAL OF MICRO SWITCH.

SCALE 2:1
DO NOT SCALE PRINT

TOLERANCES:
DIMENSIONS UNLESS OTHERWISE SPECIFIED
FRACTIONS DECIMALS
1/16 .003125 1/32 .003125 1/8 .003125
3/16 .003125 1/4 .003125 5/16 .003125
3/8 .003125 1/2 .003125 5/8 .003125
3/4 .003125 1 .003125

DESIGN UNITS: INCHES
THIRD ANGLE PROJECTION

WEIGHT .020 LB MAX

NOTES
▲ FURNISHED UNASSEMBLED
? TERMINALS ARE PLATED FOR SOLDERING
△ MATTE FINISH

CHARACTERISTICS	ELECTRICAL DATA
	CONTACT ARRANGEMENT
	5A 125 VAC L117 UL