

Renesas Starter Kit for SH7201

[Provide feedback](#)
[Print this page](#)

Renesas Starter Kit for SH7201 →

[Full Product Info](#)

- Block Diagram
- Configuration
- Layout and Specification
- Ordering Information
- PC System Requirements
- Technical Support

ON THIS PAGE:

- Product Overview
- Configuration
- Ordering Information
- Technical Support
- Block Diagram
- Layout and Specification
- PC System Requirements

[Top](#)

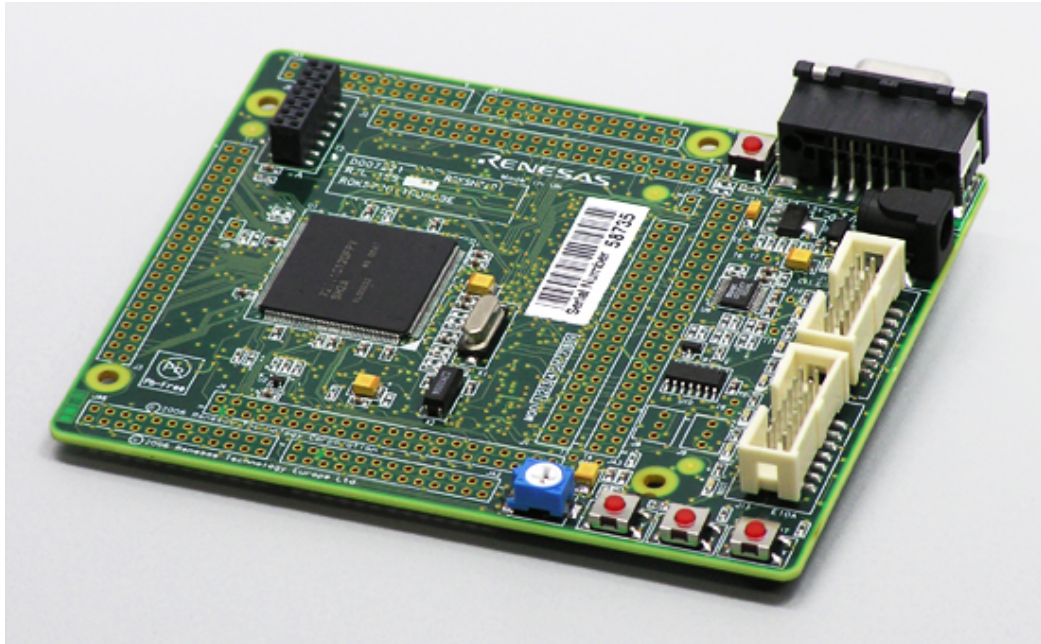
Documentation

Downloads

Purchasing Info

Related Resources

- [Renesas Starter Kit Ethernet & USB Application Board](#)



Tool DistiLink

Please contact your distributor for the orderable part number for this device.

Renesas Starter Kit for SH7201

Target Devices

Device Group: SH7201
Device Part No. populated on the board: R5S72011B120FP

For more information on the microcontroller please view the SH7201 Device page. → [Link to "SH7201 Device page"](#)

Product Overview

The Renesas Starter Kit for SH7201 is intended as a user-friendly introductory and evaluation tool for the SH7201 microcontroller. The board also provides a useful platform for evaluating the Renesas suite of development tools for coding and debugging, using High-performance Embedded Workshop as well as programming the device using E8 emulator and/or Flash Development Toolkit.

The Renesas Starter Kit for SH7201 may be connected to the host PC using a simple RS232 serial connection or via the included USB E8 on chip debugging interface.

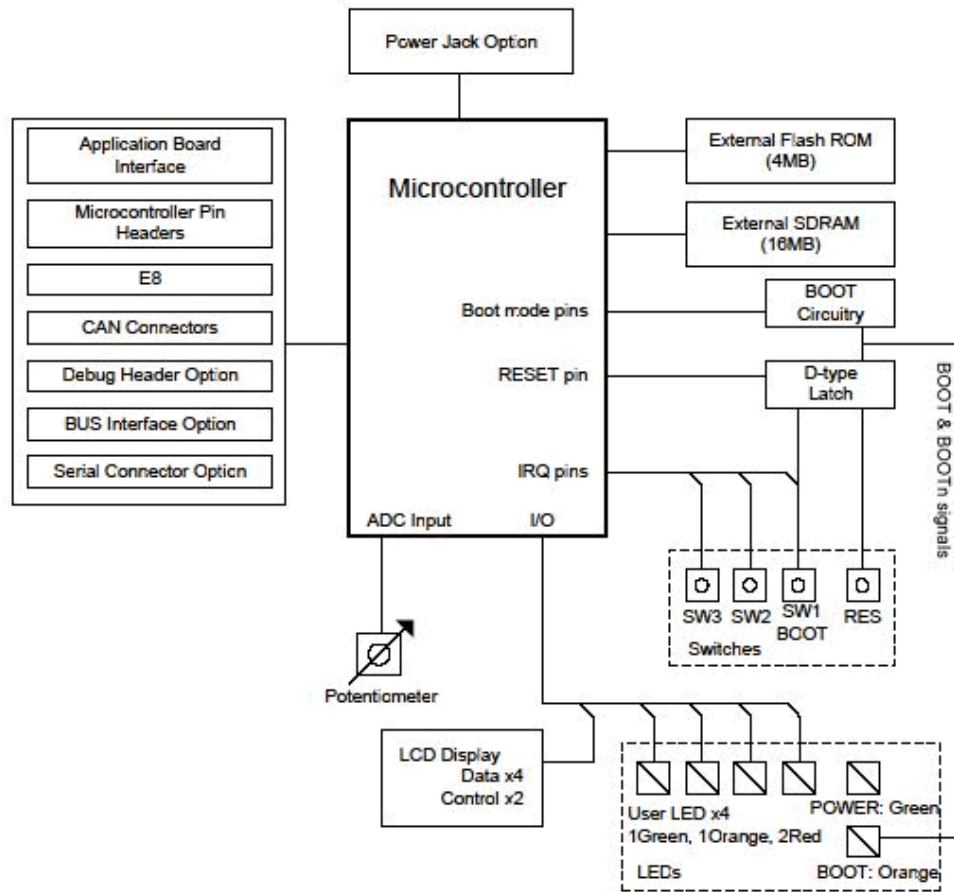
The purpose of the board is to enable the user to evaluate the capabilities of the device and its peripherals by giving the user a simple platform on which code can be run only minutes from opening box. It can also prove an invaluable tool in development by providing a useful test platform for code already debugged using one of our more powerful emulation tools.

Note

The E8 emulator supplied with this board is expected to be used for evaluation of the SH device only. For normal debugging tasks please purchase an E10A-USB (part number: HS0005KCU01H).

Top 

Functional Representation



Top 

Kit Contents

- CPU Board
- Detachable LCD Display Module
- Detachable AD Adjustment Shaft
- E8 Emulator
- Connection Cable (USB Cable, User Interface Cable)
- Quick Start Guide
- CD-ROM
 - Documents : User Manual, Tutorial, and more
 - IDE : High-performance Embedded Workshop
 - C/C++ Compiler : C/C++ Compiler Package for SuperH Family Evaluation Version
 - Debugger : E8 Emulator Debugger
 - Flash Memory Programmer : Flash Development Toolkit Evaluation Version

Notes

- The C/C++ Compiler Package for SuperH Family Evaluation Version does not come with technical support services. In addition, The C/C++ Compiler Package for SuperH Family Evaluation Version has some restrictions compared to the Product Version.

Trial period: 60 days

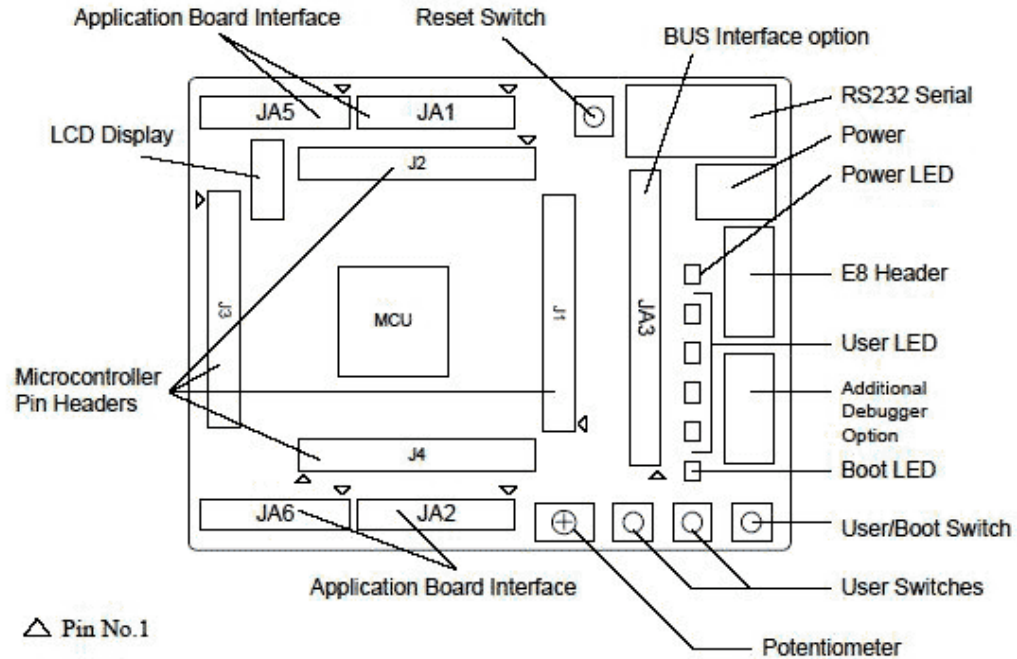
The link size will be limited to 256KB after 60 days.

- The Flash Development Toolkit Evaluation Version does not come with technical support services.

Top 

Board Layout

The LCD display module is supplied as a detachable sub-board. The board dimensions are 120mm by 100mm, detailed dimensions are available in the user manual.



Board Specification

Item	Specification
Microcontroller	R5S72011B120FP
On-board Memory	Flash Memory (S29GL032A11TFIR23): 32Mbit, 16-bit wide data bus
	SDRAM (K4S281632I-UC75): 128Mbit, 16-bit wide data bus
Input Clock	Main: 10MHz
	Sub: 32.768kHz
Potentiometer	Single-turn, 10k Ω
LED	Power indicator: green x 1
	Boot indicator: orange x 1
	User: green x 1, orange x 1, red x 2
Switch	Reset x 1
	User/Boot x 1
	User x 2
DC Power Jack	5V Input
E8 Header	14-pin box header
Debug Connector Option	14-pin box header (for E10A-USB)
RS232 Serial Connector	9-pin DSUB
LCD Display Connector	14-pin socket
CAN Connector	2.54mm pitch, 3-pin x 2 (CAN BUS line x 2, Ground x 1)
Microcontroller Pin Header	2.54mm pitch, 44-pin x 4
Application Board Interface	2.54mm pitch, 26-pin x 2 (JA1, JA2), 24-pin x 2 (JA5, JA6)
BUS Interface Option	2.54mm pitch, 50-pin

* Microcontroller Pin Header, Application Board Interface and BUS Interface Option are not contained in the product.

Top 

Ordering Information

This product can be purchased through [the normal sales channels](#).

Product Name	Supported Device Group	Part Number (Ordering Number)	Availability
Renesas Starter Kit for SH7201	SH7201	R0K572011S000BE	Available

Top 

PC System Requirements

- IBM PC/AT or compatible PC (USB interface necessary) *1
- Intel Pentium • 600MHz or higher *3
- Memory 128MB or higher
- Microsoft Windows 98SE/ Windows ME / Windows 2000/ Windows XP *2

*1: IBM and PC/AT are registered trademarks of International Business Machines Corporation of the U.S.

*2: MS, MS-DOS and Windows are registered trademarks of Microsoft Corporation of the U.S.

*3: Pentium is a trademark of Intel Corporation of the U.S.

Top 

Technical Support

If you encounter problems concerning the bundled debugger (E8), please contact <http://www.renesas.com/inquiry> or csc@renesas.com.

When contacting us, please have the following information ready:
your name, company name, department name, fax number, MCU part number (ex. MCU: R5S72011B120FP), tool part number, version of debugger and a brief description of the problem.

C/C++ Compiler Package for SuperH Family Evaluation Version and Flash Development Toolkit Evaluation Version do not come with technical support services.