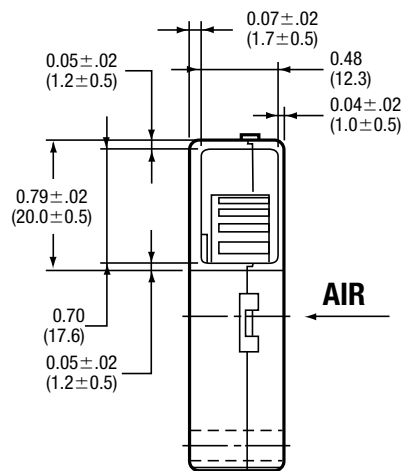
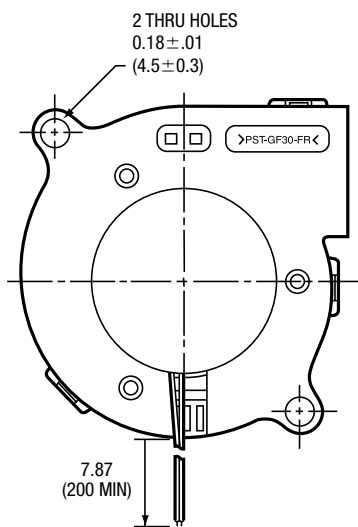


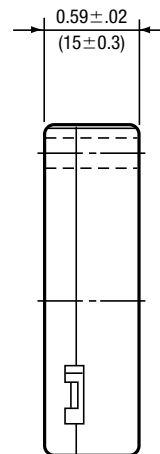
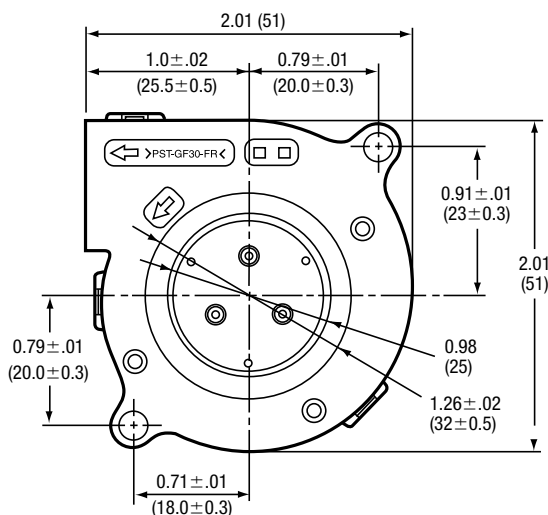


BM5115 Series - Brushless Blower Fan

Blower Fans

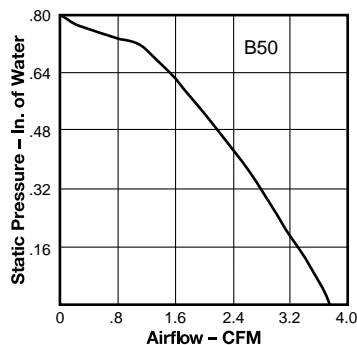
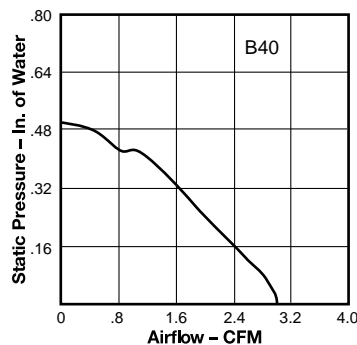
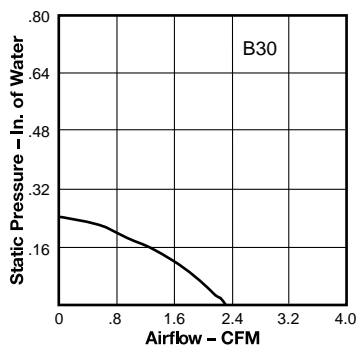


Dimensions are in inches
() are in millimeters



Features / Benefits

- Size: 2.01 in x 2.01 in x 0.59 in (51mm x 51mm x 15mm)
- Low Noise Levels: 26-42 dBA
- Low Weight: .74oz (25g)
- Long life and quiet operation guaranteed by dual ball bearing design
- Temperature range: -10°C to +70°C (operating range)
- Meets UL/CSA, VDE, CE requirements
- Airflow: 2.12 to 3.53 CFM
- Lead Wires: AWG 26, Red/Black/UL1061
- Applications: Chip cooling, Spot cooling



MODEL NUMBER	VOLTAGE (V)	POWER (W)	CURRENT (mA)	SPEED (RPM)	NOISE (dBA)	PRESSURE (in H ₂ O)	AIRFLOW (CFM)
BM5115-04W-B30-L00	12	0.76	60	3500	26	2.4	2.12
BM5115-04W-B40-L00	12	1.44	120	4500	35	4.8	2.82
BM5115-04W-B50-L00	12	2.16	180	5500	42	8.0	3.53

