



Configured Digitally Programmable Potentiometer (DPP™): Programmable Voltage Applications



FEATURES

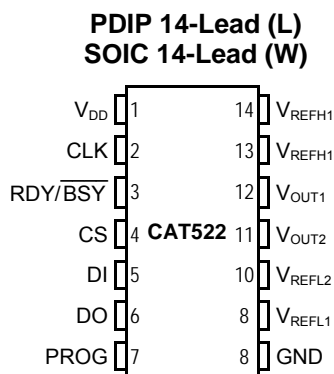
- Two 8-bit DPPs configured as programmable voltage sources in DAC-like applications
- Independent reference inputs
- Non-volatile NVRAM memory wiper storage
- Output voltage range includes both supply rails
- 2 independently addressable buffered output wipers
- 1 LSB accuracy, high resolution
- Serial Microwire-like interface
- Single supply operation: 2.7V - 5.5V
- Setting read-back without effecting outputs

For Ordering Information details, see page 14.

APPLICATIONS

- Automated product calibration.
- Remote control adjustment of equipment
- Offset, gain and zero adjustments in self-calibrating and adaptive control systems.
- Tamper-proof calibrations.
- DAC (with memory) substitute.

PIN CONFIGURATION



DESCRIPTION

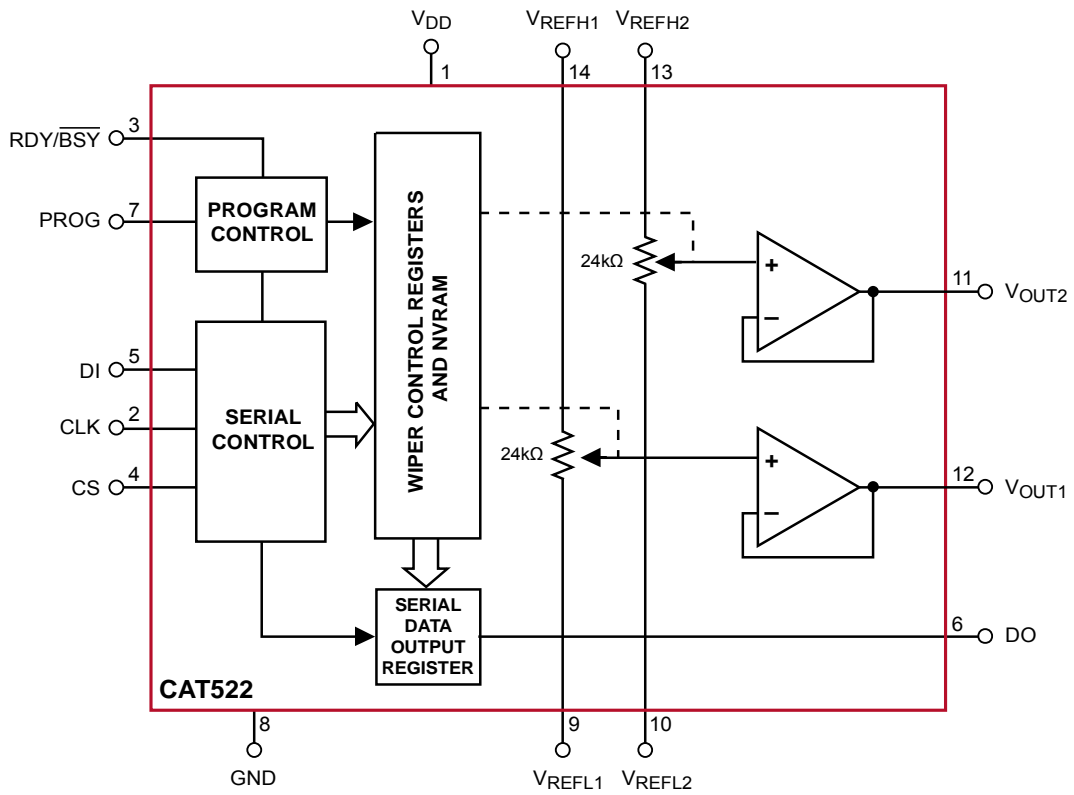
The CAT522 is a dual, 8-bit digitally-programmable potentiometer (DPP™) configured for programmable voltage and DAC-like applications. Intended for final calibration of products such as camcorders, fax machines and cellular telephones on automated high volume production lines, it is also well suited for self-calibrating systems and for applications where equipment which requires periodic adjustment is either difficult to access or in a hazardous environment.

The CAT522 offers two independently programmable DPPs each having its own reference inputs and each capable of rail to rail output swing. The wipers are buffered by rail to rail opamps. Wiper settings, stored in non-volatile NVRAM memory, are not lost when the device is powered down and are automatically reinstated when power is returned. Each wiper can be dithered to test new output values without effecting the stored settings and stored settings can be read back without disturbing the DPP's output.

The CAT522 is controlled with a simple 3-wire, microwire-like serial interface. A Chip Select pin allows several devices to share a common serial interface. Communication back to the host controller is via a single serial data line thanks to the CAT522 Tri-Stated Data Output pin. A RDY/BSY output working in concert with an internal low voltage detector signals proper operation of the non-volatile NVRAM memory Erase/Write cycle.

The CAT522 is available in the 0°C to 70°C commercial and -40°C to 85°C industrial operating temperature ranges. Both 14-pin plastic DIP and surface mount packages are available.

FUNCTIONAL DIAGRAM



ABSOLUTE MAXIMUM RATINGS ⁽¹⁾

| Parameters | Ratings | Units |
|-----------------------------------|------------------------|-------|
| Supply Voltage V_{DD} to GND | -0.5 to +7 | V |
| Inputs | | |
| CLK to GND | -0.5 to $V_{DD} + 0.5$ | V |
| CS to GND | -0.5 to $V_{DD} + 0.5$ | V |
| DI to GND | -0.5 to $V_{DD} + 0.5$ | V |
| RDY/BSY to GND | -0.5 to $V_{DD} + 0.5$ | V |
| PROG to GND | -0.5 to $V_{DD} + 0.5$ | V |
| V_{REFH} to GND | -0.5 to $V_{DD} + 0.5$ | V |
| V_{REFL} to GND | -0.5 to $V_{DD} + 0.5$ | V |

| Parameters | Ratings | Units |
|-------------------------------------|------------------------|-------|
| Outputs | | |
| D_0 to GND | -0.5 to $V_{DD} + 0.5$ | V |
| V_{OUT} 1– 4 to GND | -0.5 to $V_{DD} + 0.5$ | V |
| Operating Ambient Temperature | | |
| Commercial (‘C’ or Blank suffix) | 0 to +70 | °C |
| Industrial (‘I’ suffix) | -40 to +85 | °C |
| Junction Temperature | +150 | °C |
| Storage Temperature | -65 to +150 | °C |
| Lead Soldering (10s max) | +300 | °C |

RELIABILITY CHARACTERISTICS

| Symbol | Parameter | Test Method | Min | Max | Units |
|--------------------|--------------------|-------------------------------|------|-----|-------|
| $V_{ZAP}^{(2)}$ | ESD Susceptibility | MIL-STD-883, Test Method 3015 | 2000 | | V |
| $I_{LTH}^{(2)(3)}$ | Latch-Up | JEDEC Standard 17 | 100 | | mA |

POWER SUPPLY

| Symbol | Parameter | Conditions | Min | Typ | Max | Units |
|-----------|-------------------------|----------------------------|-----|------|------|---------|
| I_{DD1} | Supply Current (Read) | Normal Operating | — | 400 | 600 | μ A |
| I_{DD2} | Supply Current (Write) | Programming, $V_{DD} = 5V$ | — | 1600 | 2500 | μ A |
| | | $V_{DD} = 3V$ | — | 1000 | 1600 | μ A |
| V_{DD} | Operating Voltage Range | | 2.7 | — | 5.5 | V |

LOGIC INPUTS

| Symbol | Parameter | Conditions | Min | Typ | Max | Units |
|----------|--------------------------|-------------------|-----|-----|----------|---------|
| I_{IH} | Input Leakage Current | $V_{IN} = V_{DD}$ | — | — | 10 | μ A |
| I_{IL} | Input Leakage Current | $V_{IN} = 0V$ | — | — | -10 | μ A |
| V_{IH} | High Level Input Voltage | | 2 | — | V_{DD} | V |
| V_{IL} | Low Level Input Voltage | | 0 | — | 0.8 | V |

LOGIC OUTPUTS

| Symbol | Parameter | Conditions | Min | Typ | Max | Units |
|----------|---------------------------|--------------------------------|----------------|-----|-----|-------|
| V_{OH} | High Level Output Voltage | $I_{OH} = -40\mu A$ | $V_{DD} - 0.3$ | — | — | V |
| V_{IL} | Low Level Output Voltage | $I_{OL} = 1mA, V_{DD} = +5V$ | — | — | 0.4 | V |
| | | $I_{OL} = 0.4mA, V_{DD} = +3V$ | — | — | 0.4 | V |

Notes:

- (1) Stresses above those listed under “Absolute Maximum Ratings” may cause permanent damage to the device. These are stress ratings only, and functional operation of the device at these or any other conditions outside of those listed in the operational sections of this specification is not implied. Exposure to any absolute maximum rating for extended periods may affect device performance and reliability.
- (2) This parameter is tested initially and after a design or process change that affects the parameter.
- (3) Latch-up protection is provided for stresses up to 100mA on address and data pins from -1V to $V_{CC} + 1V$.

POTENTIOMETER CHARACTERISTICS

$V_{DD} = +2.7V$ to $+5.5V$, $V_{REFH} = V_{DD}$, $V_{REFL} = 0V$, unless otherwise specified

| Symbol | Parameter | Conditions | Min | Typ | Max | Units |
|--------------------------------|----------------------------------|------------|-----|------|-----------------------|--------|
| R _{POT} | Potentiometer Resistance | | | 24 | | kΩ |
| | R _{POT} to RPOT Match | | — | ±0.5 | ±1 | % |
| | Pot Resistance Tolerance | | | | ±20 | % |
| | Voltage on V _{REFH} pin | | 2.7 | | V _{DD} | V |
| | Voltage on V _{REFL} pin | | 0 | | V _{DD} - 2.7 | V |
| | Resolution | | | 0.4 | | % |
| INL | Integral Linearity Error | | | 0.5 | 1 | LSB |
| DNL | Differential Linearity Error | | | 0.25 | 0.5 | LSB |
| R _{OUT} | Buffer Output Resistance | | | | 10 | Ω |
| I _{OUT} | Buffer Output Current | | | | 3 | mA |
| TC _{RPOT} | TC of Pot Resistance | | | 300 | | ppm/°C |
| C _H /C _L | Potentiometer Capacitances | | | 8/8 | | pF |

AC ELECTRICAL CHARACTERISTICS

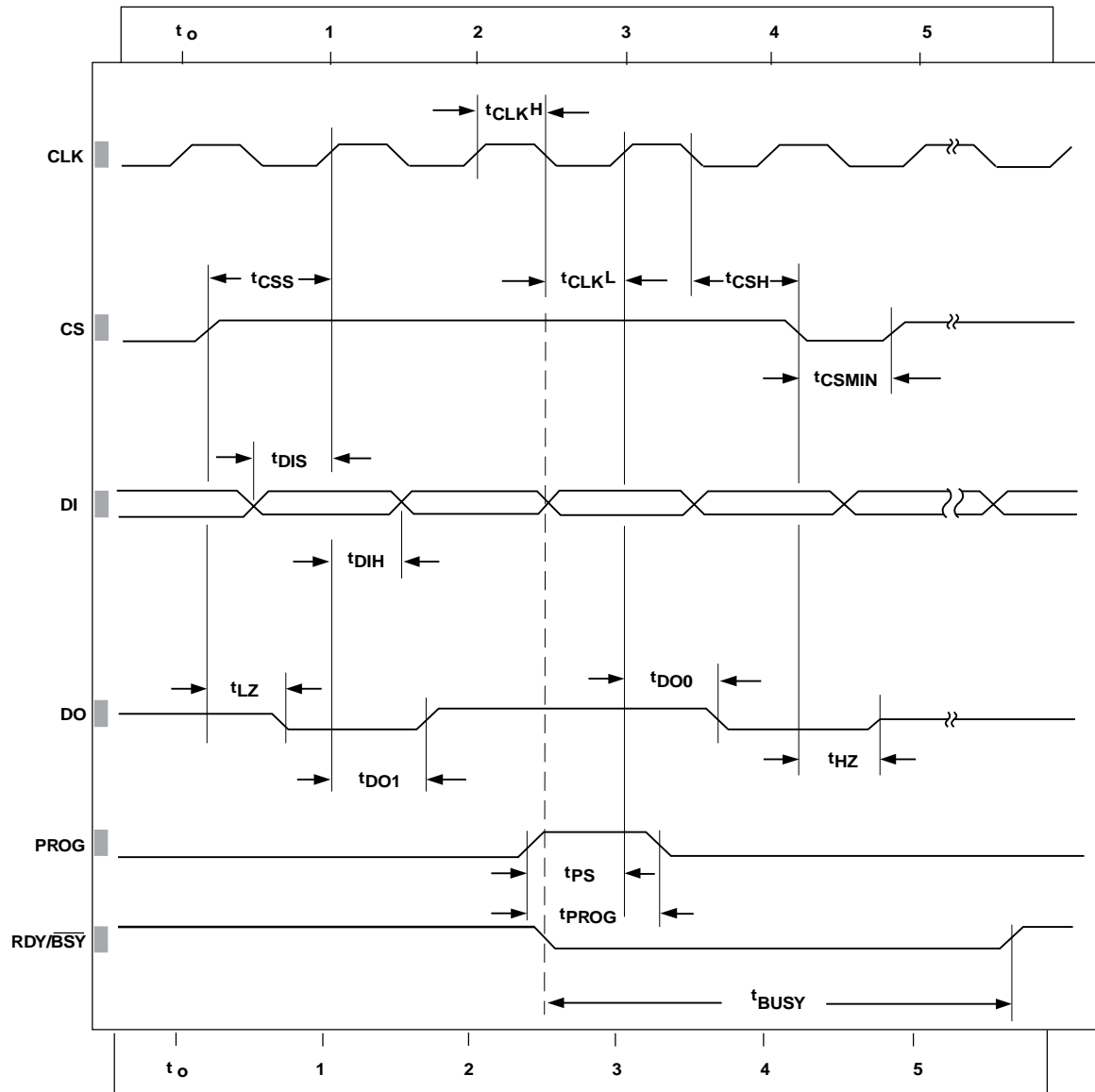
$V_{DD} = +2.7V$ to $+5.5V$, $V_{REFH} = V_{DD}$, $V_{REFL} = 0V$, unless otherwise specified

| Symbol | Parameter | Conditions | Min | Typ | Max | Units |
|--------------------|----------------------------|---|-----|-----|-----|-------|
| Digital | | | | | | |
| t _{CSMIN} | Minimum CS Low Time | | 150 | — | — | ns |
| t _{CSS} | CS Setup Time | | 100 | — | — | ns |
| t _{CSH} | CS Hold Time | C _L = 100pF ⁽¹⁾ | 0 | — | — | ns |
| t _{DIS} | DI Setup Time | | 50 | — | — | ns |
| t _{DIH} | DI Hold Time | | 50 | — | — | ns |
| t _{DO1} | Output Delay to 1 | | — | — | 150 | ns |
| t _{DO0} | Output Delay to 0 | | — | — | 150 | ns |
| t _{HZ} | Output Delay to High-Z | | — | 400 | — | ns |
| t _{LZ} | Output Delay to Low-Z | — | 400 | — | ns | |
| t _{BUSY} | Erase/Write Cycle Time | | — | 4 | 5 | ms |
| t _{PS} | PROG Setup Time | | 150 | — | — | ns |
| t _{PROG} | Minimum Pulse Width | | 700 | — | — | ns |
| t _{CLKH} | Minimum CLK High Time | | 500 | — | — | ns |
| t _{CLKL} | Minimum CLK Low Time | | 300 | — | — | ns |
| f _C | Clock Frequency | | DC | — | 1 | MHz |
| Analog | | | | | | |
| t _{DS} | DPP Settling Time to 1 LSB | C _{LOAD} = 10pF, V _{DD} = +5V | — | 3 | 10 | μs |
| | | C _{LOAD} = 10pF, V _{DD} = +3V | — | 6 | 10 | μs |

Notes:

- (1) All timing measurements are defined at the point of signal crossing $V_{DD} / 2$.
- (2) These parameters are periodically sampled and are not 100% tested.

A.C. TIMING DIAGRAM



PIN DESCRIPTION

| Pin | Name | Function |
|-----|--------------------|---------------------------------|
| 1 | V _{DD} | Power supply positive |
| 2 | CLK | Clock input pin |
| 3 | RDY/BSY | Ready/Busy output |
| 4 | CS | Chip select |
| 5 | DI | Serial data input pin |
| 6 | DO | Serial data output pin |
| 7 | PROG | EEPROM Programming Enable Input |
| 8 | GND | Power supply ground |
| 9 | V _{REFL1} | Minimum DPP1 output voltage |
| 10 | V _{REFL2} | Minimum DPP2 output voltage |
| 11 | V _{OUT2} | DPP2 output |
| 12 | V _{OUT1} | DPP1 output |
| 13 | V _{REFH2} | Maximum DPP2 output voltage |
| 14 | V _{REFH1} | Maximum DPP1 output voltage |

DPP addressing is as follows:

| DPP OUTPUT | A0 | A1 |
|-------------------|----|----|
| V _{OUT1} | 0 | 1 |
| V _{OUT2} | 1 | 1 |

DEVICE OPERATION

The CAT522 is a dual 8-bit configured digitally programmable potentiometer (DPP) whose outputs can be programmed to any one of 256 individual voltage steps. Once programmed, these output settings are retained in non-volatile memory and will not be lost when power is removed from the chip. Upon power up the DPPs return to the settings stored in non-volatile memory. Each DPP can be written to and read from independently without effecting the output voltage during the read or write cycle. Each output can also be adjusted without altering the stored output setting, which is useful for testing new output settings before storing them in memory.

DIGITAL INTERFACE

The CAT522 employs a 3 wire serial, Microwire-like control interface consisting of Clock (CLK), Chip Select (CS) and Data In (DI) inputs. For all operations, address and data are shifted in LSB first. In addition, all digital data must be preceded by a logic "1" as a start bit. The DPP address and data are clocked into the DI pin on the clock's rising edge. When sending multiple blocks of information a minimum of two clock cycles is required between the last block sent and the next start bit.

Multiple devices may share a common input data line by selectively activating the CS control of the desired IC. Data Outputs (DO) can also share a common line

because the DO pin is Tri-States and returns to a high impedance when not in use.

CHIP SELECT

Chip Select (CS) enables and disables the CAT522's read and write operations. When CS is high data may be read to or from the chip, and the Data Output (DO) pin is active. Data loaded into the DPP control registers will remain in effect until CS goes low. Bringing CS to a logic low returns all DPP outputs to the settings stored in non-volatile memory and switches DO to its high impedance Tri-State mode.

Because CS functions like a reset the CS pin has been desensitized with a 30 ns to 90 ns filter circuit to prevent noise spikes from causing unwanted resets and the loss of volatile data.

CLOCK

The CAT522's clock controls both data flow in and out of the IC and non-volatile memory cell programming. Serial data is shifted into the DI pin and out of the DO pin on the clock's rising edge. While it is not necessary for the clock to be running between data transfers, the clock must be operating in order to write to non-volatile memory, even though the data being saved may already be resident in the DPP wiper control register.

No clock is necessary upon system power-up. The CAT522's internal power-on reset circuitry loads data from non-volatile memory to the DPPs without using the external clock.

As data transfers are edge triggered clean clock transitions are necessary to avoid falsely clocking data into the control registers. Standard CMOS and TTL logic families work well in this regard and it is recommended that any mechanical switches used for breadboarding or device evaluation purposes be debounced by a flip-flop or other suitable debouncing circuit.

V_{REF}

V_{REF}, the voltage applied between pins V_{REFH} & V_{REFL}, sets the DPP's Zero to Full Scale output range where V_{REFL} = Zero and V_{REFH} = Full Scale. V_{REF} can span the full power supply range or just a fraction of it. In typical applications V_{REFH} & V_{REFL} are connected across the power supply rails. When using less than the full supply voltage be mindfull of the limits placed on V_{REFH} and V_{REFL} as specified in the References section of DC Electrical Characteristics.

READY/BUSY

When saving data to non-volatile memory, the Ready/Busy output (RDY/BSY) signals the start and duration of the erase/write cycle. Upon receiving a command to store data (PROG goes high) RDY/BSY goes low and remains low until the programming cycle is complete. During this time the CAT521 will ignore any data appearing at DI and no data will be output on DO.

RDY/BSY is internally ANDed with a low voltage detector circuit monitoring V_{DD}. If V_{DD} is below the minimum value required for non-volatile programming,

RDY/BSY will remain high following the program command indicating a failure to record the desired data in non-volatile memory.

DATA OUTPUT

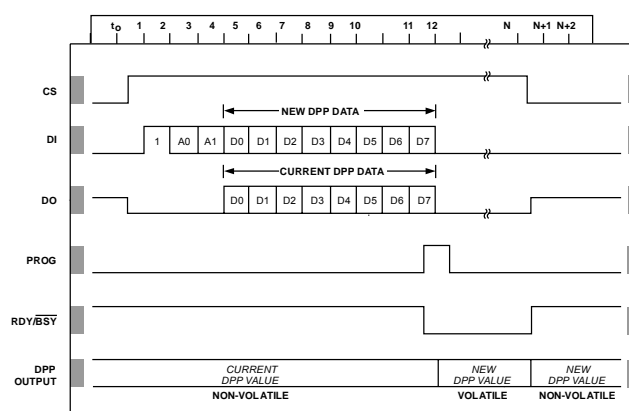
Data is output serially by the CAT522, LSB first, via the Data Out (DO) pin following the reception of a start bit and two address bits by the Data Input (DI). DO becomes active whenever CS goes high and resumes its high impedance Tri-State mode when CS returns low. Tri-Stating the DO pin allows several 522s to share a single serial data line and simplifies interfacing multiple 522s to a microprocessor.

WRITING TO MEMORY

Programming the CAT522's non-volatile memory is accomplished through the control signals: Chip Select (CS) and Program (PROG). With CS high, a start bit followed by a two bit DPP address and eight data bits are clocked into the DPP wiper control register via the DI pin. Data enters on the clock's rising edge. The DPP output changes to its new setting on the clock cycle following D7, the last data bit.

Programming is accomplished by bringing PROG high sometime after the start bit and at least 150 ns prior to the rising edge of the clock cycle immediately following the D7 bit. Two clock cycles after the D7 bit the DPP wiper control register will be ready to receive the next set of address and data bits. The clock must be kept running throughout the programming cycle. Internal control circuitry takes care of generating and ramping up the programming voltage for data transfer to the non-volatile cells. The CAT522's non-volatile memory cells will endure over 1,000,000 write cycles and will retain data for a minimum of 100 years without being refreshed.

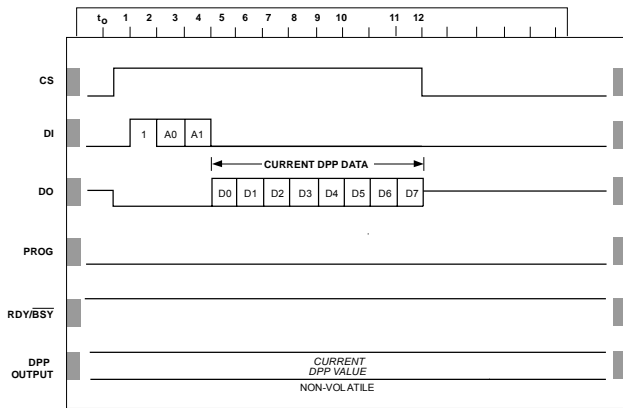
Figure 1. Writing to Memory



READING DATA

Each time data is transferred into a DPP control register currently held data is shifted out via the D0 pin, thus in every data transaction a read cycle occurs. Note, however, that the reading process is destructive. Data must be removed from the register in order to be read. Figure 2 depicts a Read Only cycle in which no change occurs in the DPP's output. This feature allows μ Ps to poll DPPs for their current setting without disturbing the output voltage but it assumes that the setting being read is also stored in non-volatile memory so that it can be restored at the end of the read cycle. In Figure 2 CS returns low before the 13th clock cycle completes. In doing so the non-volatile memory setting is reloaded into the DPP wiper control register. Since this value is the same as that which had been there previously no change in the DPP's output is noticed. Had the value held in the control register been different from that stored in non-volatile memory then a *change would occur* at the read cycle's conclusion.

Figure 2. Reading from Memory



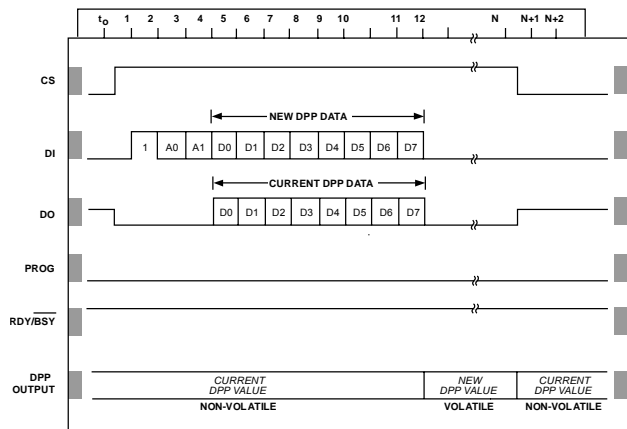
TEMPORARILY CHANGE OUTPUT

The CAT522 allows temporary changes in DPP's output to be made without disturbing the settings retained in non-volatile memory. This feature is particularly useful when testing for a new output setting and allows for user adjustment of preset or default values without losing the original factory settings.

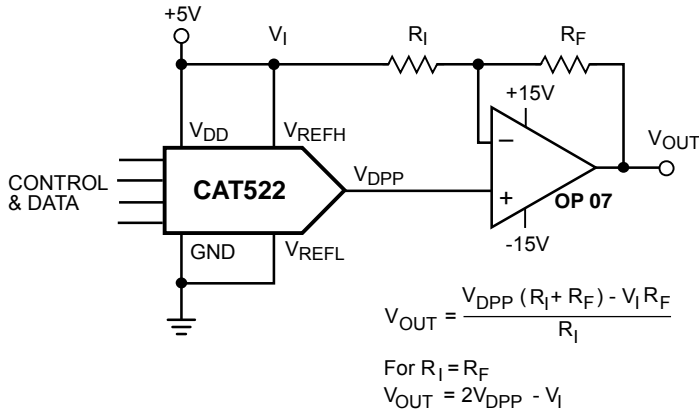
Figure 3 shows the control and data signals needed to effect a temporary output change. DPP wiper settings may be changed as many times as required and can be made to any of the two DPPs in any order or sequence. The temporary setting(s) remain in effect long as CS remains high. When CS returns low all two DPPs will return to the output values stored in non-volatile memory.

When it is desired to save a new setting acquired using this feature, the new value must be reloaded into the DPP wiper control register prior to programming. This is because the CAT522's internal control circuitry discards from the programming register the new data two clock cycles after receiving it if no PROG signal is received.

Figure 3. Temporary Change in Output

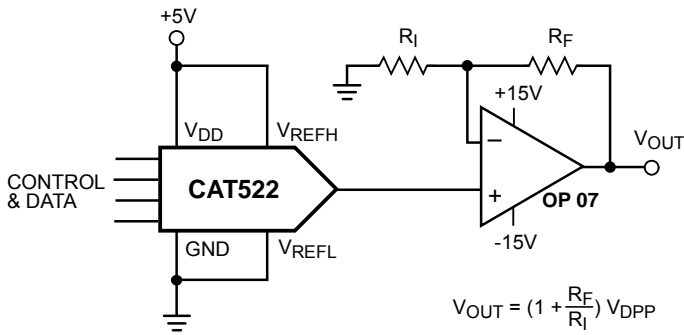


APPLICATION CIRCUITS

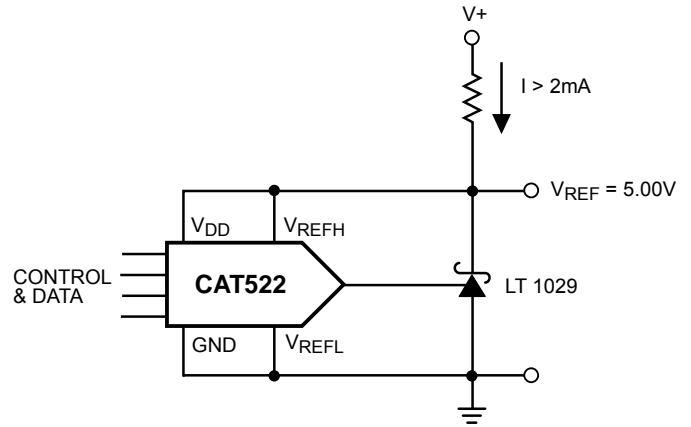


| DPP INPUT | | DPP OUTPUT | ANALOG OUTPUT |
|-----------|------|--|--------------------|
| | | $V_{DPP} = \frac{CODE}{255} \times (V_{FS} - V_{ZERO}) + V_{ZERO}$ | |
| MSB | LSB | $V_{FS} = 0.99V_{REF}$ | $V_{REF} = 5V$ |
| | | $V_{ZERO} = 0.01V_{REF}$ | $R_I = R_F$ |
| 1111 | 1111 | $\frac{255}{255} \times 0.98V_{REF} + 0.01V_{REF} = 0.990V_{REF}$ | $V_{OUT} = +4.90V$ |
| 1000 | 0000 | $\frac{128}{255} \times 0.98V_{REF} + 0.01V_{REF} = 0.502V_{REF}$ | $V_{OUT} = +0.02V$ |
| 0111 | 1111 | $\frac{127}{255} \times 0.98V_{REF} + 0.01V_{REF} = 0.498V_{REF}$ | $V_{OUT} = -0.02V$ |
| 0000 | 0001 | $\frac{1}{255} \times 0.98V_{REF} + 0.01V_{REF} = 0.014V_{REF}$ | $V_{OUT} = -4.86V$ |
| 0000 | 0000 | $\frac{0}{255} \times 0.98V_{REF} + 0.01V_{REF} = 0.010V_{REF}$ | $V_{OUT} = -4.90V$ |

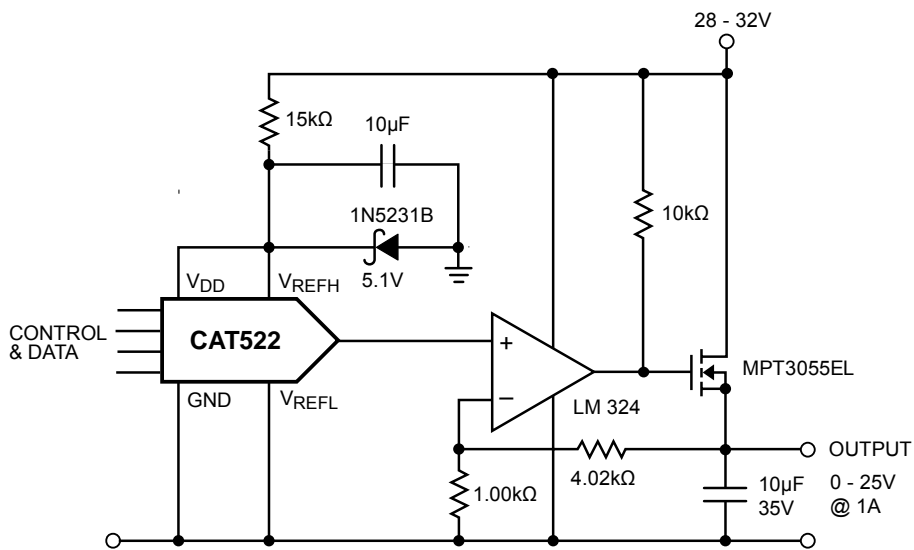
Bipolar DPP Output



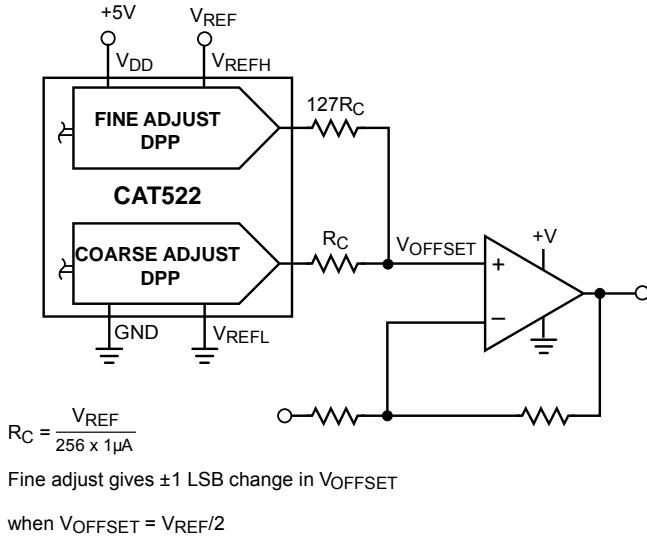
Amplified DPP Output



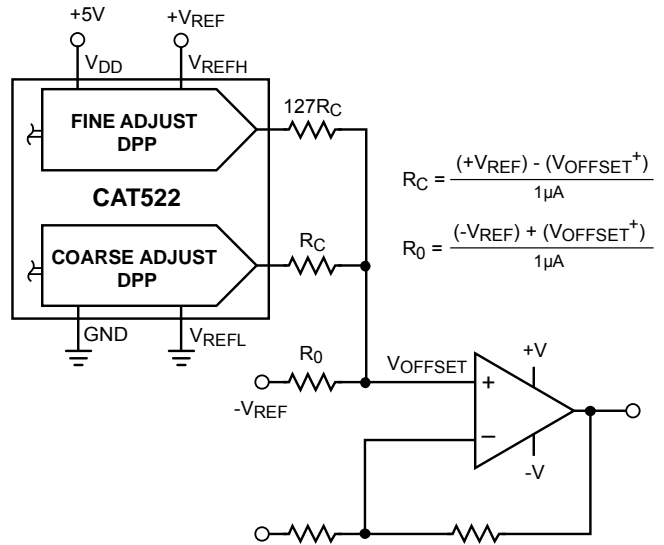
Digitally Trimmed Voltage Reference



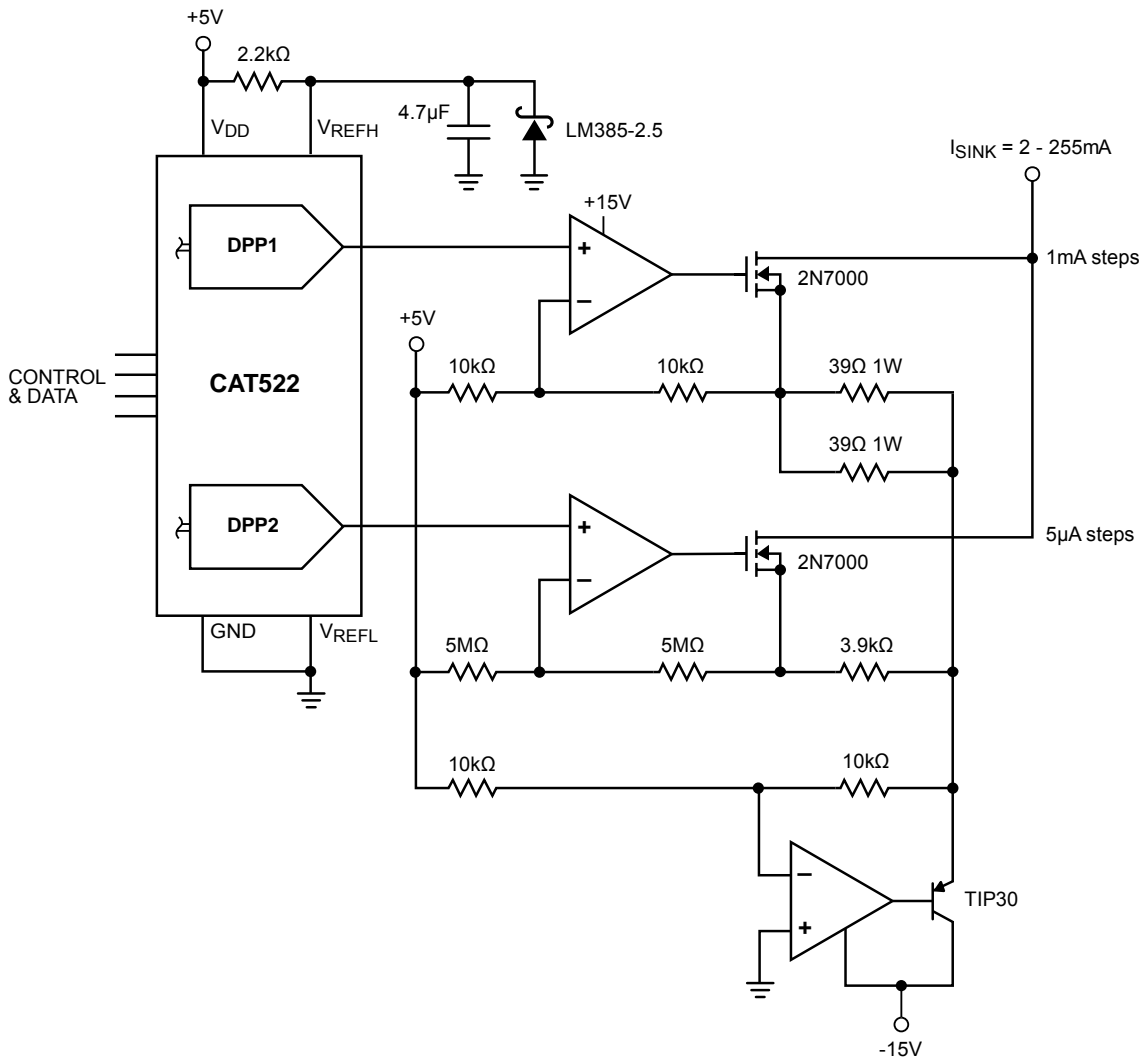
Digitally Controlled Voltage Reference



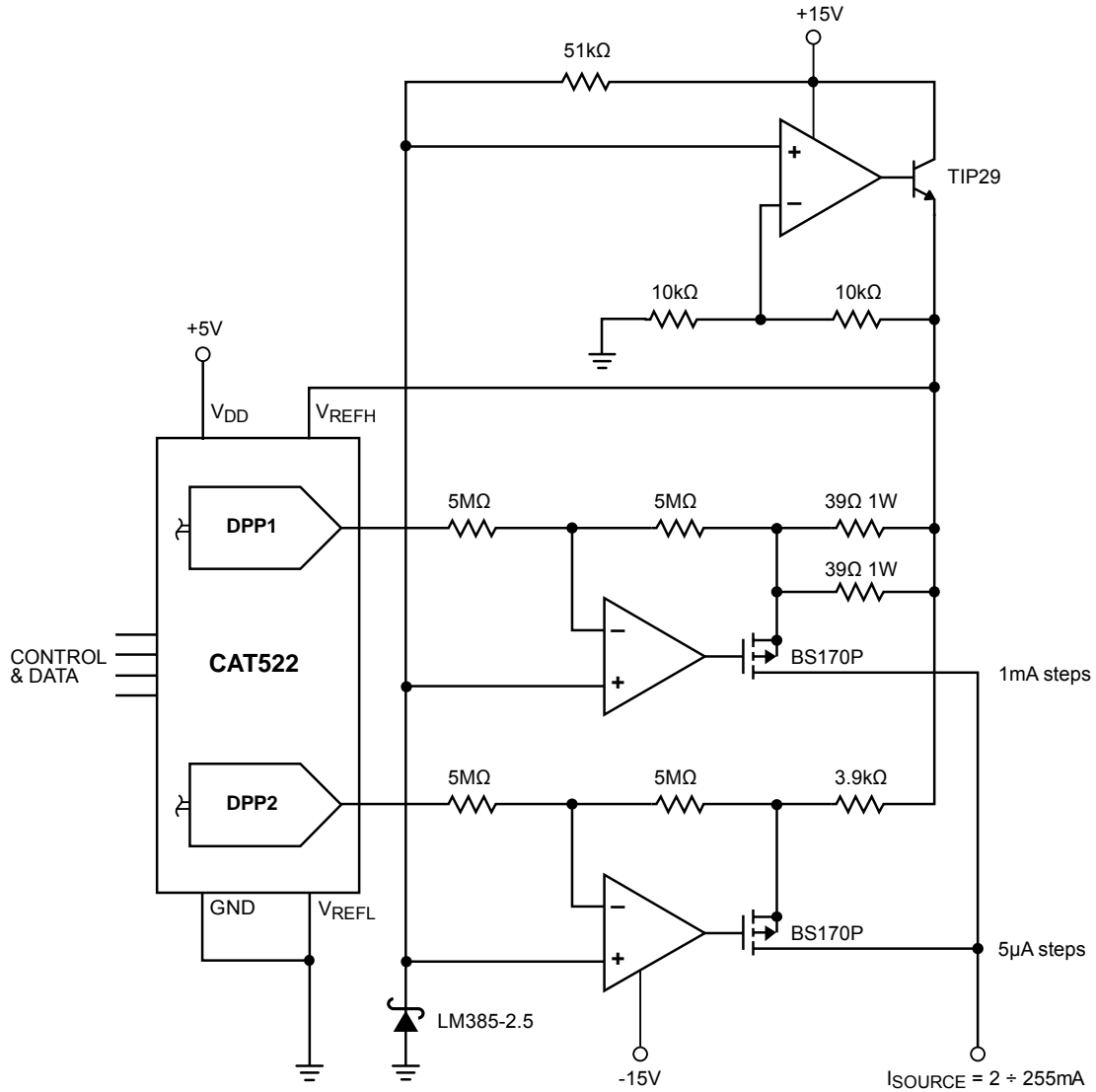
Coarse-Fine Offset Control by Averaging DPP Outputs for Single Power Supply Systems



Coarse-Fine Offset Control by Averaging DPP Outputs for Dual Power Supply Systems



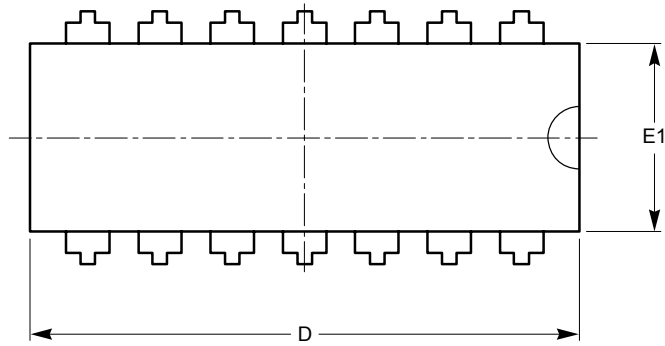
Current Sink with 4 Decades of Resolution



Current Source with 4 Decades of Resolution

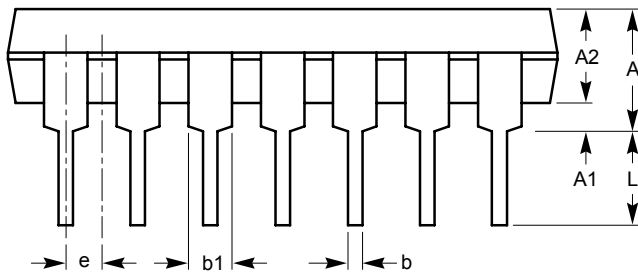
PACKAGE OUTLINE DRAWINGS

PDIP 14-LEAD (L)⁽¹⁾⁽²⁾

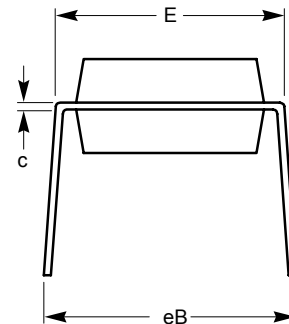


TOP VIEW

| SYMBOL | MIN | NOM | MAX |
|--------|----------|-------|-------|
| A | 3.56 | | 5.33 |
| A1 | 0.38 | | |
| A2 | 2.92 | 3.30 | 4.95 |
| b | 0.36 | 0.45 | 0.55 |
| b1 | 1.15 | 1.52 | 1.77 |
| c | 0.21 | 0.26 | 0.35 |
| D | 18.67 | 19.05 | 19.68 |
| E | 7.62 | 7.87 | 8.25 |
| E1 | 6.10 | 6.35 | 7.11 |
| e | 2.54 BSC | | |
| eB | 7.88 | | 10.92 |
| L | 2.99 | 3.30 | 3.81 |



SIDE VIEW

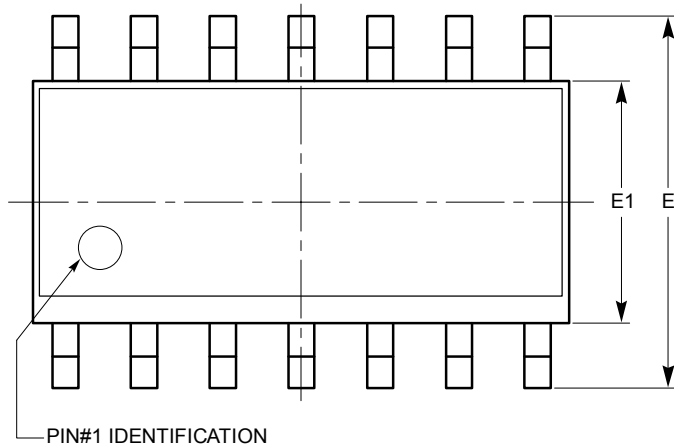


END VIEW

Notes:

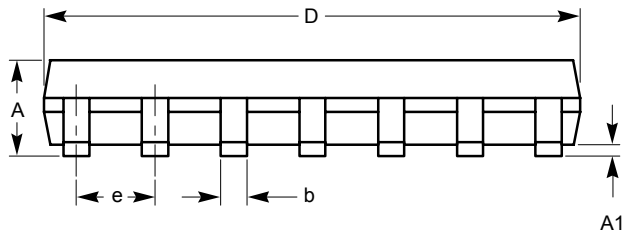
- (1) All dimensions are in millimeters. Angles in degrees.
- (2) Complies with JEDEC MS-001.

SOIC 14-LEAD (W)⁽¹⁾⁽²⁾

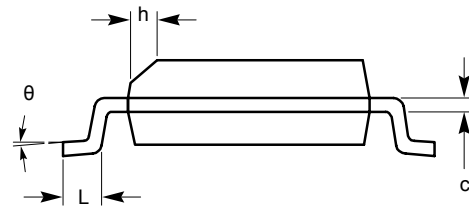


TOP VIEW

| SYMBOL | MIN | NOM | MAX |
|----------|----------|------|------|
| A | 1.35 | | 1.75 |
| A1 | 0.10 | | 0.25 |
| b | 0.33 | | 0.51 |
| c | 0.19 | | 0.25 |
| D | 8.55 | 8.65 | 8.75 |
| E | 5.80 | 6.00 | 6.20 |
| E1 | 3.80 | 3.90 | 4.00 |
| e | 1.27 BSC | | |
| h | 0.25 | | 0.50 |
| L | 0.40 | | 1.27 |
| θ | 0° | | 8° |



SIDE VIEW

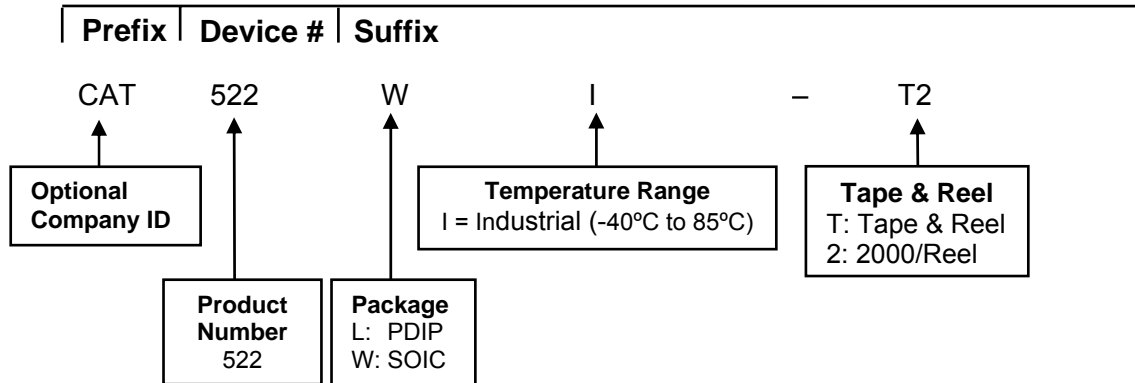


END VIEW

Notes:

- (1) All dimensions are in millimeters. Angles in degrees.
- (2) Complies with JEDEC MS-012.

EXAMPLE OF ORDERING INFORMATION




| ORDERING PART NUMBER |
|----------------------|
| CAT522LI |
| CAT522WI |

Notes:

- (1) All packages are RoHS-compliant (Lead-free, Halogen-free).
- (2) The standard lead finish is Matte-Tin.
- (3) The device used in the above example is a CAT522WI-T2 (SOIC, Industrial Temperature, Tape & Reel, 2000).

REVISION HISTORY

| Date | Revision | Description |
|-----------|----------|--|
| 16-Mar-04 | D | Updated Potentiometer Characteristics |
| 12-Jul-04 | E | Updated Functional Diagram Updated Potentiometer Characteristics |
| 26-Jul-07 | F | Add Package Outline Drawings Update Example of Ordering Information Updated Ordering Information Added MD- to document number |
| 31-Oct-07 | G | Update Example of Ordering Information |
| 14-Jul-08 | H | Add "Not Recommended for New Design" to the top of all pages. |
| 24-Nov-08 | I | Change logo and fine print to ON Semiconductor |

ON Semiconductor and  are registered trademarks of Semiconductor Components Industries, LLC (SCILLC). SCILLC reserves the right to make changes without further notice to any products herein. SCILLC makes no warranty, representation or guarantee regarding the suitability of its products for any particular purpose, nor does SCILLC assume any liability arising out of the application or use of any product or circuit, and specifically disclaims any and all liability, including without limitation special, consequential or incidental damages. "Typical" parameters which may be provided in SCILLC data sheets and/or specifications can and do vary in different applications and actual performance may vary over time. All operating parameters, including "Typicals" must be validated for each customer application by customer's technical experts. SCILLC does not convey any license under its patent rights nor the rights of others. SCILLC products are not designed, intended, or authorized for use as components in systems intended for surgical implant into the body, or other applications intended to support or sustain life, or for any other application in which the failure of the SCILLC product could create a situation where personal injury or death may occur. Should Buyer purchase or use SCILLC products for any such unintended or unauthorized application, Buyer shall indemnify and hold SCILLC and its officers, employees, subsidiaries, affiliates, and distributors harmless against all claims, costs, damages, and expenses, and reasonable attorney fees arising out of, directly or indirectly, any claim of personal injury or death associated with such unintended or unauthorized use, even if such claim alleges that SCILLC was negligent regarding the design or manufacture of the part. SCILLC is an Equal Opportunity/Affirmative Action Employer. This literature is subject to all applicable copyright laws and is not for resale in any manner.

PUBLICATION ORDERING INFORMATION

LITERATURE FULFILLMENT:

Literature Distribution Center for ON Semiconductor
P.O. Box 5163, Denver, Colorado 80217 USA
Phone: 303-675-2175 or 800-344-3860 Toll Free USA/Canada
Fax: 303-675-2176 or 800-344-3867 Toll Free USA/Canada
Email: orderlit@onsemi.com

N. American Technical Support: 800-282-9855 Toll Free
USA/Canada

Europe, Middle East and Africa Technical Support:
Phone: 421 33 790 2910

Japan Customer Focus Center:
Phone: 81-3-5773-3850

ON Semiconductor Website: www.onsemi.com

Order Literature: <http://www.onsemi.com/orderlit>

For additional information, please contact your local Sales Representative