

Description of the Han®-Eco series



Han®-Eco – a new hoods and housings series made of thermoplastic material.

Han®-Eco is the ideal solution for applications that do not require the full range of product features offered by the Han® B series of hoods and housings, and users want to take advantage of the weight and cost advantages.

Like the Han® B standard series, the Han®-Eco series is available in the following sizes: 6 B, 10 B, 16 B and 24 B. Depending on size, versions of the hoods with straight or angled cable exit as well as housings, bulkhead mounting, can be supplied. The cable exits are available with metric threading, a cable gland is implemented. For hoods/housing sizes 6 B and 10 B size of the cable gland is M 32, for 16 B and 24 B the size of cable gland is M 40.

Han®-Eco hoods and housings are made of high-performance plastic that is highly resistant to environmental stress and – in combination with the design - provides very good mechanical stability. When the connector is closed and locked, it provides IP 65 protection as defined in DIN EN 60 529. The material also meets demanding flammability requirements of UL 94 Class V 0.

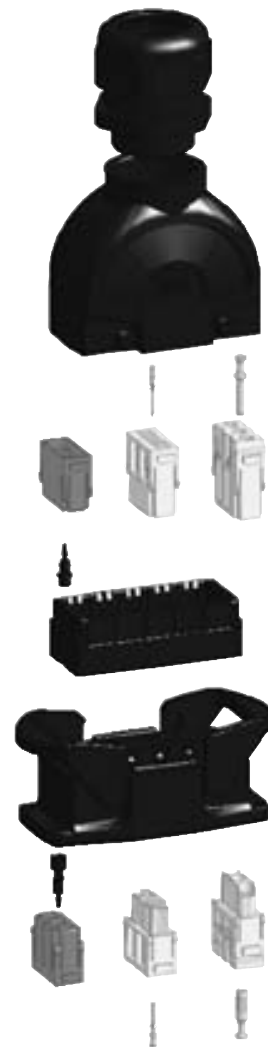
Fast, simple assembly is another outstanding product feature. Click-and-mate design totally eliminates the need for tools during assembly of the Han®-Eco hoods and housings.

The Han®-Eco hoods and housings are compatible with the full range of modules from the Han-Modular® series. One extra module fits into the Han®-Eco hoods and housings compared to the equivalent product in the Han® B Standard series. This special feature applies to all four sizes.

A optional PE contact module with screw terminal has been developed specifically for the Han®-Eco hoods and housings to hold the protective ground conductor.

Advantages:

- weight reduction combined with mechanical strength
- fast assembly process without tools
- complete range of modules from Han-Modular® series usable



Assembly details

Features

- New hoods/housings series made of thermoplastic material with excellent mechanical properties and high resistance against environmental influence
- Weight and cost optimised
- Quick assembly without screws and tools („click and mate“)
- Capable for applications according protection class II
- Available in sizes 6 B, 10 B, 16 B and 24 B
- integrated cable glands
- Complete range of modules of series Han-Modular® is usable
- One extra module fits into the Han®-Eco hoods/housings compared to equivalent size of Han® B series
- Optional PE contact module for hold the protective ground conductor
- Same panel cut out as Han® B housings, bulk-head mounting
- Not mating compatible with series Han® B

Technical characteristics


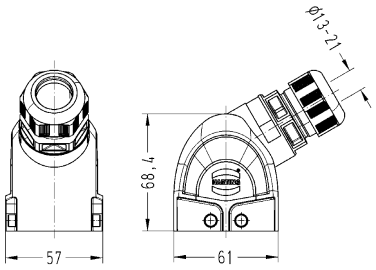

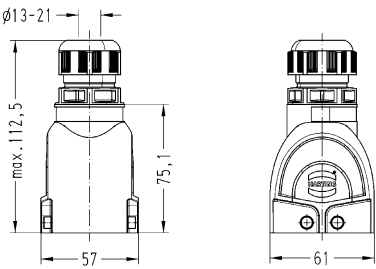
Specifications

DIN EN 61 984


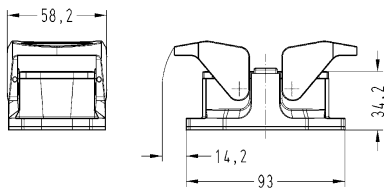
Hoods/Housings

Material	Polyamide, fibre-glass reinforced
Locking element	PA
Hoods/Housings sealing	NBR
Limiting temperatures	-40 °C ... +125 °C
Degree of protection acc. to DIN EN 60 529	IP 65
for coupled connector	IP 65
Flammability acc. to UL 94	V0

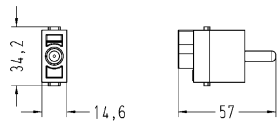
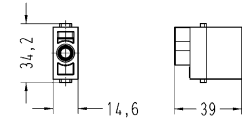
Plastic hoods for industrial applications / 2 lever locking system

Identification	Part number	Cable entry	Drawing	Dimensions in mm
Hoods side entry 	19 41 106 0522	M32		
Hoods top entry 	19 41 106 0422	M32		


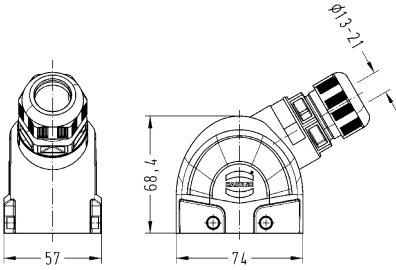

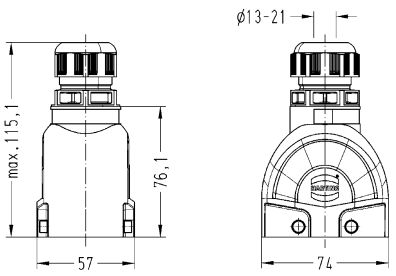
Plastic housings for industrial applications / 2 lever locking system

Identification	Part number	Cable entry	Drawing	Dimensions in mm
Housings, bulkhead mounting 	19 41 006 0301			


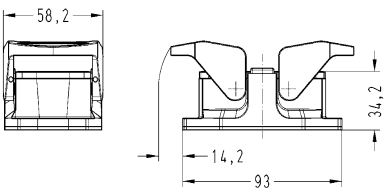
PE contact modules

Identification	Part number	Drawing	Dimensions in mm
Han®-Eco PE contact module with screw terminal wire gauge 1.5 mm ² ... 16 mm ² male module	19 41 001 2600		
female module	19 41 001 2700		

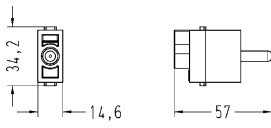
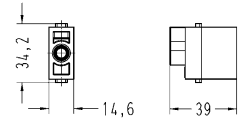
Plastic hoods for industrial applications / 2 lever locking system

Identification	Part number	Cable entry	Drawing	Dimensions in mm
Hoods side entry 	19 41 110 0522	M32		
Hoods top entry 	19 41 110 0422	M32		


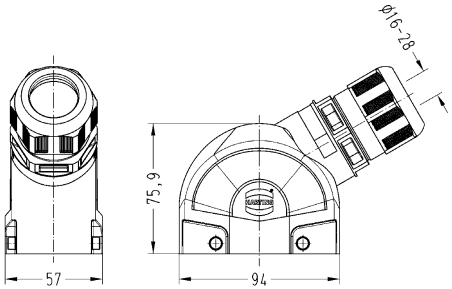

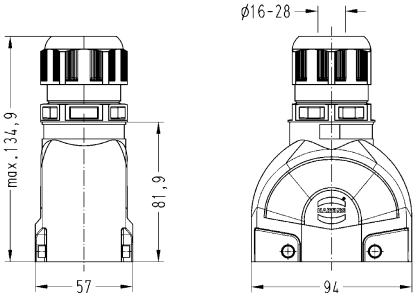
Plastic housings for industrial applications / 2 lever locking system

Identification	Part number	Cable entry	Drawing	Dimensions in mm
Housings, bulkhead mounting 	19 41 010 0301			


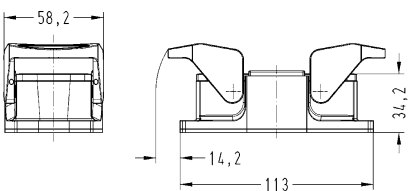
PE contact modules

Identification	Part number	Drawing	Dimensions in mm
Han®-Eco PE contact module with screw terminal wire gauge 1.5 mm ² ... 16 mm ² male module	19 41 001 2600		
female module	19 41 001 2700		

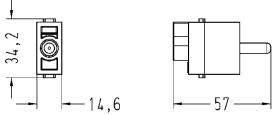
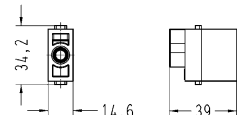
Plastic hoods for industrial applications / 2 lever locking system

Identification	Part number	Cable entry	Drawing	Dimensions in mm
Hoods side entry 	19 41 116 0523	M40		
Hoods top entry 	19 41 116 0423	M40		


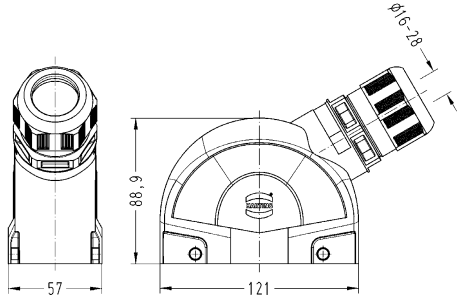

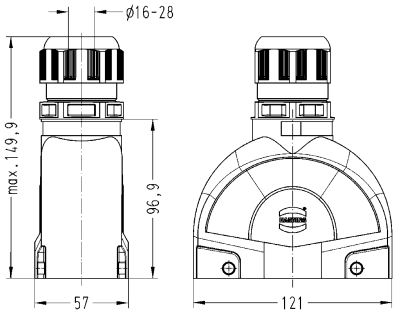
Plastic housings for industrial applications / 2 lever locking system

Identification	Part number	Cable entry	Drawing	Dimensions in mm
Housings, bulkhead mounting 	19 41 016 0301			


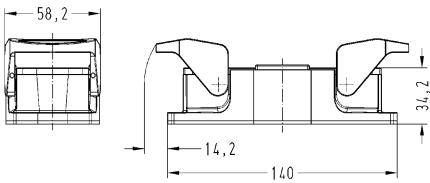
PE contact modules

Identification	Part number	Drawing	Dimensions in mm
Han®-Eco PE contact module with screw terminal wire gauge 1.5 mm ² ... 16 mm ² male module	19 41 001 2600		
female module	19 41 001 2700		

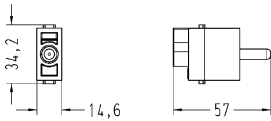
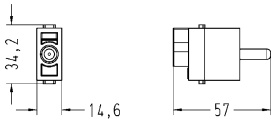
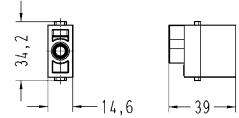
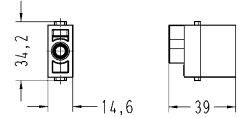
Plastic hoods for industrial applications / 2 lever locking system

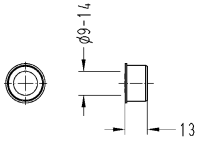
Identification	Part number	Cable entry	Drawing	Dimensions in mm
Hoods side entry 	19 41 124 0523	M40		
Hoods top entry 	19 41 124 0423	M40		

Plastic housings for industrial applications / 2 lever locking system

Identification	Part number	Cable entry	Drawing	Dimensions in mm
Housings, bulkhead mounting 	19 41 024 0301			

PE contact modules

Identification	Part number	Drawing	Dimensions in mm
Han®-Eco PE contact module with screw terminal wire gauge 1.5 mm ² ... 16 mm ² male module 	19 41 001 2600		
female module 	19 41 001 2700		

Identification	Part number	Drawing	Dimensions in mm
<p>Han®-Eco Reduction sealing insert</p> <p>size of cable gland: M32</p>	<p>19 41 000 5132</p>		
<p>size of cable gland: M40</p>	<p>19 41 000 5142</p>	