

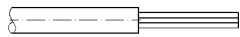
Features

- Crimp termination
- Compatible with Han® 70 A module with axial screw termination

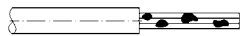
Technical characteristics

Specifications	DIN EN 60 664-1 DIN EN 61 984 EN 50 124-1
Inserts	
Number of contacts	2
Electrical data acc. to DIN EN 61 984	
Rated current	70 A
Rated voltage conductor - ground	1000 V
Rated voltage conductor - conductor	1000 V
Rated impulse voltage	8 kV
Pollution degree	3
Insulation resistance	$\geq 10^{10} \Omega$
Material	Polycarbonate
Limiting temperatures	-40 °C ... +125 °C
Flammability acc. to UL 94	V 0
Mechanical working life	≥ 500 mating cycles

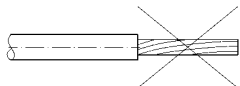
Assembly Details



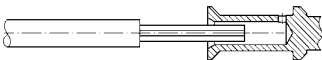
Cut the cable square and strip the insulation



The copper strands must be cleaned from dirt and oxide film



Copper strands must not be twisted



Insert the cable strand completely into the crimp ferrule.
Check insertion via inspection hole

Contacts

Power contacts	
Material	Copper alloy
Surface	
- hard-silver plated	3 μm Ag
Contact resistance	$\leq 0.5 \text{ m}\Omega$
Crimp terminal	
- mm ²	10 - 25 mm ²
Max. insulation diameter	11 mm
Stripping length	15.5 mm

Han® 70 A Crimp Module

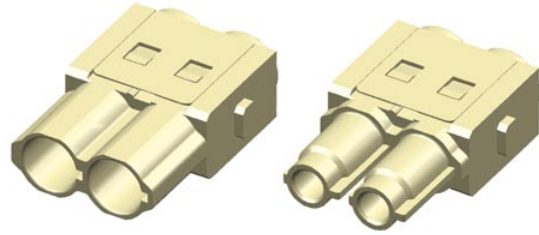
1000 V 70 A



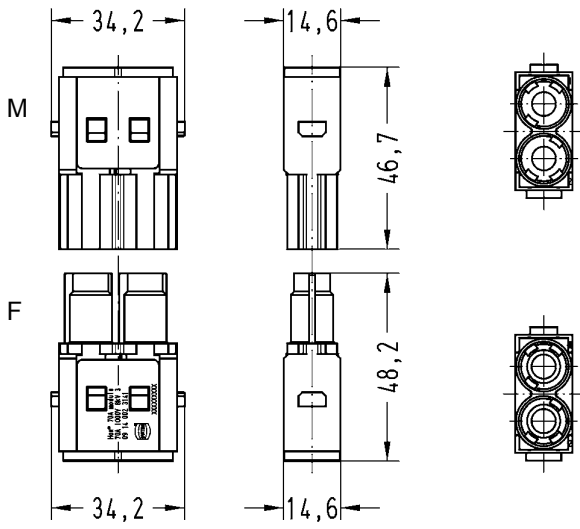


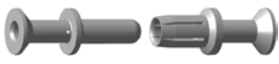
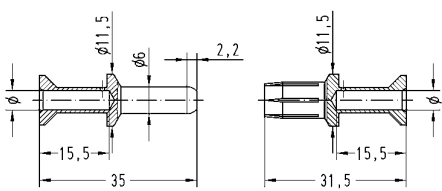
Number of contacts

2

Available by September 2010



Identification	Part-Number		Drawings	Dimensions in mm
	Male insert (M)	Female insert (F)		
Han® 70 A module Crimp terminal  	09 14 002 3041	09 14 002 3141		

Identification	Wire gauge mm ²	Part-Number		Drawings	Dimensions in mm												
		Male contacts (M)	Female contacts (F)														
Crimp contacts* Silver plated 	10 16 25	09 11 000 6131 09 11 000 6132 09 11 000 6133	09 11 000 6231 09 11 000 6232 09 11 000 6233														
<table border="1"> <thead> <tr> <th>Wire gauge</th> <th>Ø</th> <th>Stripping length</th> </tr> </thead> <tbody> <tr> <td>10 mm²</td> <td>4.3</td> <td>15.5 mm</td> </tr> <tr> <td>16 mm²</td> <td>5.5</td> <td>15.5 mm</td> </tr> <tr> <td>25 mm²</td> <td>7.0</td> <td>15.5 mm</td> </tr> </tbody> </table> for stranded wires acc. to IEC 60 228 class 5						Wire gauge	Ø	Stripping length	10 mm ²	4.3	15.5 mm	16 mm ²	5.5	15.5 mm	25 mm ²	7.0	15.5 mm
Wire gauge	Ø	Stripping length															
10 mm ²	4.3	15.5 mm															
16 mm ²	5.5	15.5 mm															
25 mm ²	7.0	15.5 mm															

* Crimp zone acc. to DIN EN 46 235