

SERIES 58

Single Deck, Antistatic

LOCK FEATURES

- Minimum Space Behind Panel
- 15,000 Vdc Static Protection
- 5 Tumbler-Plate Security
- In-Panel Key Recoding

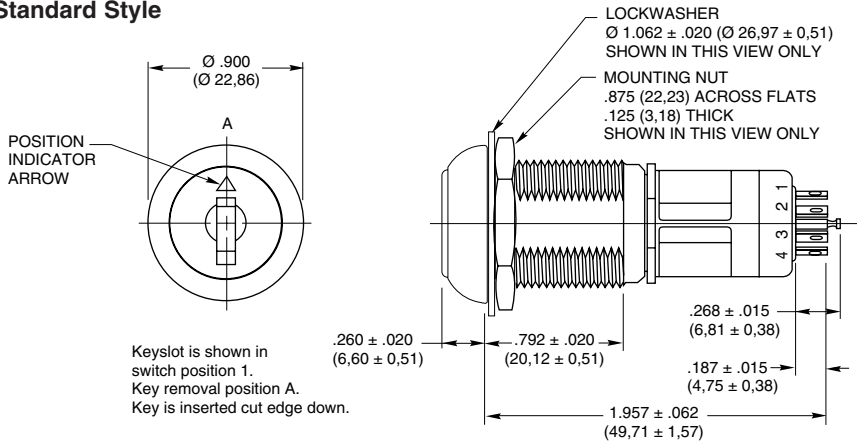
SWITCH FEATURES

- Economical
- Solder Lug or PC Mount
- 36°, 45°, 60°, or 90° Throws
- 1 or 2 Poles Per Switch
- Up to 10 Positions for 1 Pole
- 200 mA for 25,000 Cycles

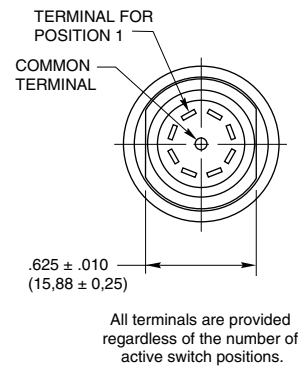


DIMENSIONS In inches (and millimeters)

Standard Style

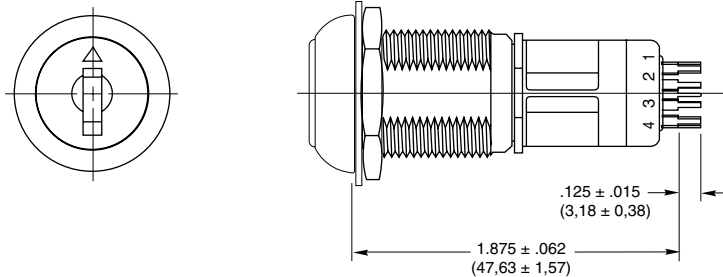


36°, 45°, 60°, or 90° Angle of Throw

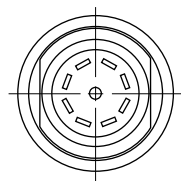


PC Mount Style

Dimensions not shown are the same as above.

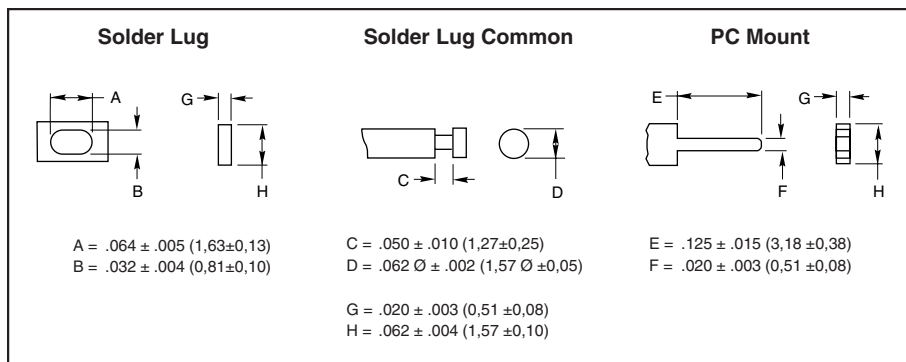


36°, 45°, 60°, or 90° Angle of Throw

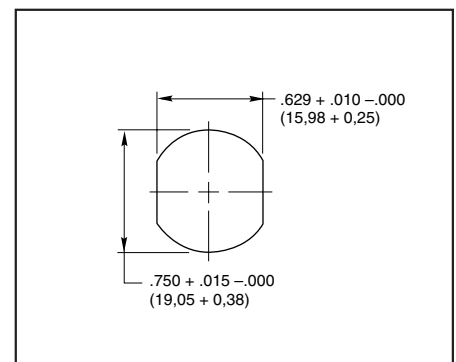


Grayhill part number and date code marked on label. Customer part number marked on request.

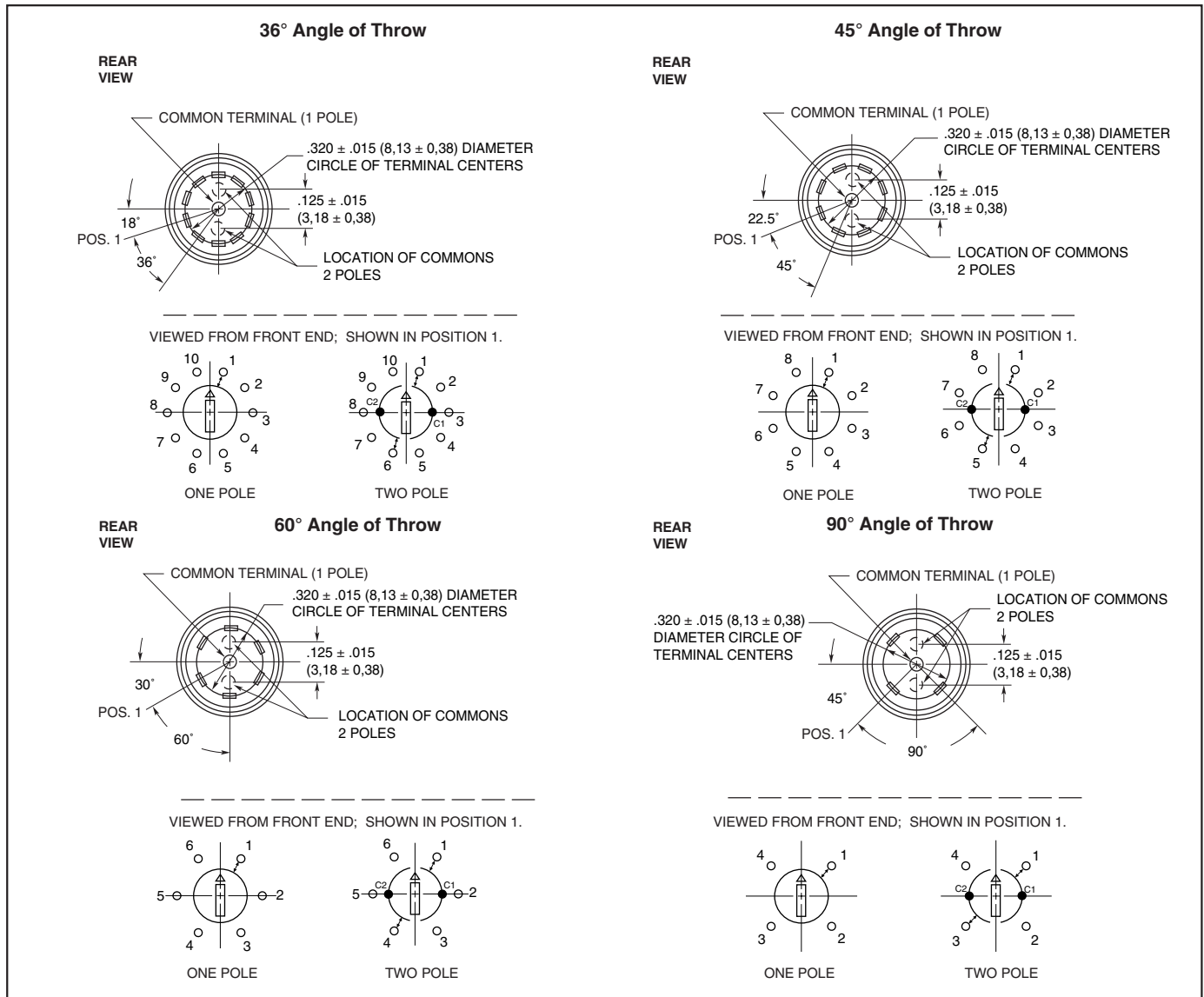
TERMINAL DETAIL



RECOMMENDED PANEL CUT



CIRCUITRY



LOCK SPECIFICATIONS

General Characteristics

Mounting: By bushing, nut and lockwasher

Keying: All locks keyed alike except by special order

Orientation of Keylock Switch: Lock flats on both sides with key upright (cut side down) in position 1.

Key Removals:

- 36° Throw Switch At every position or At 0° & 180°
- 45° Throw Switch At every position or At 0°, 90°, 180°, 270°
- 60° Throw Switch At every position or At 0°, 180°
- 90° Throw Switch At every position or At 0°, 180°

Optional pulls Contact Grayhill

Materials & Finishes

Keys: Brass; 2 supplied

Lock Barrel & Plug: Zinc, clear chromate

Lockwasher: Steel, tin zinc plated

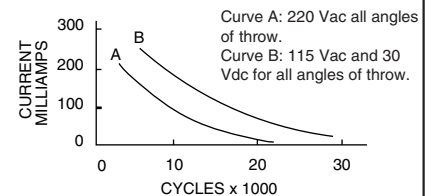
Mounting Nut: Steel, nickel-plated

Tumbler Plates: Brass

SWITCH SPECIFICATIONS

Electrical Characteristics

Chart is shown for non-shorting contacts and resistive load and for the life limiting criteria indicated below. The data for the curve was measured at sea level, 25°C and 68% relative humidity. Contact Grayhill for more information if any of the following is true: life limiting criteria are more critical than those listed; more cycles of operation are required; a larger make and break current is required; the operating environment includes elevated temperatures or reduced pressures.



SWITCH SPECIFICATIONS *Continued*

| | | |
|--|--|--|
| <p>Contact Resistance: Initially: less than 10 mΩ End of life: less than 50 mΩ</p> <p>Insulation Resistance: (Between mutually insulated parts) Initially: 50,000 MΩ Minimum: 10,000 MΩ</p> <p>Breakdown Voltage: (Between mutually insulated parts) more than 600 Vac</p> <p>Life Expectancy: Per chart; cycle is 1 rotation thru all active positions plus a full return.</p> <p>Carry Current: 6A; maximum temperature rise 20°C</p> | <p>Anti-Static Voltage: Anti-static types tested to withstand 15,000 Vdc</p> <p>Mechanical Characteristics Switching Mode: Shorting (make before break) or non-shorting (break before make) as limited by the Choices chart Type of Contact: Wiping Number of Terminals: All switches are provided with the full circle of terminals regardless of the number of active positions Stop Strength: 1.70 Nm maximum (15.0 in-lbs) Switching Torque: 8 to 16 in-ozs</p> | <p>Materials and Finishes Switch Base: Thermoset plastic Switch Housing: Nylon Detent Rotor: Nylon Detent Balls: Steel, nickel-plated Detent Springs, and Contact Springs: Stainless steel Common Ring: Brass, gold plate over silver plate Terminals: Brass, gold over silver and nickel plate Rotor Contact: Precious metal, gold alloy</p> |
|--|--|--|

CHOICES AND LIMITATIONS

| Lock Style and Description* | Switch Style and Description | Angle of Throw | No. Of Decks | Poles/ Deck | Positions Per Pole** | Shorting or Non-Shrtg. |
|---|---|----------------|--------------|-------------|----------------------|------------------------|
| Series 58J Switches | | | | | | |
| J4: Standard—Key pulls at Position 1 and at 90 Degree Increments | A = Standard, Solder Lugs P = Standard, PC Mount | 45° | 1 | 1 2 | 02 to 08 02 to 04 | N or S N or S |
| | | 36° | 1 | 1 2 | 02 to 10 02 to 05 | N or S N or S |
| J8: Standard—Key Pulls at Each Position | A = Standard, Solder Lugs P = Standard, PC Mount | 45° | 1 | 1 2 | 02 to 08 02 to 04 | N or S N or S |
| | | 90° | 1 | 1 2 | 02 to 04 02 | N N |
| | | 36° | 1 | 1 2 | 02 to 10 02 to 05 | N or S N or S |
| J9: Standard—Key Pulls at Position 1 and at 180 Degrees | A = Standard, Solder Lugs P = Standard, PC Mount | 45° | 1 | 1 2 | 02 to 08 02 to 04 | N or S N or S |
| | | 60° | 1 | 1 2 | 02 to 06 02 to 03 | N N |
| | | 90° | 1 | 1 2 | 02 to 04 02 | N N |
| | | 36° | 1 | 1 2 | 02 to 10 02 to 05 | N or S N or S |

*Standard Keylock has anti-static protection. All keylock versions available without anti-static protection, with a reduced overall body length. Contact Grayhill for more information.

**For single pole switches with maximum positions, specify continuous rotation or fixed stop when ordering.

ORDERING INFORMATION

Series
Lock Style: per Choices Chart J4, J8, J9
Switch Style: per Choices Chart A or P
Angle of Throw: 36, 45, 60 or 90 (per Choices chart)
Number of Decks: 01
Poles per Deck: = 1 or 2 (per Choices chart)
Positions per Pole: 02 thru 10 (per Choices chart)
Type of Contacts: (per Choices chart)
N = Non-shorting
S = Shorting
Stop Arrangement Suffix:
(needed only for 1-pole switches with maximum positions)
F = Fixed stop between last and first positions
*Leave blank for continuous rotation

58J8A36-01-1-10N-F

Available from your local Grayhill Distributor.

For prices and discounts, contact a local Sales Office, an authorized local Distributor or Grayhill.