

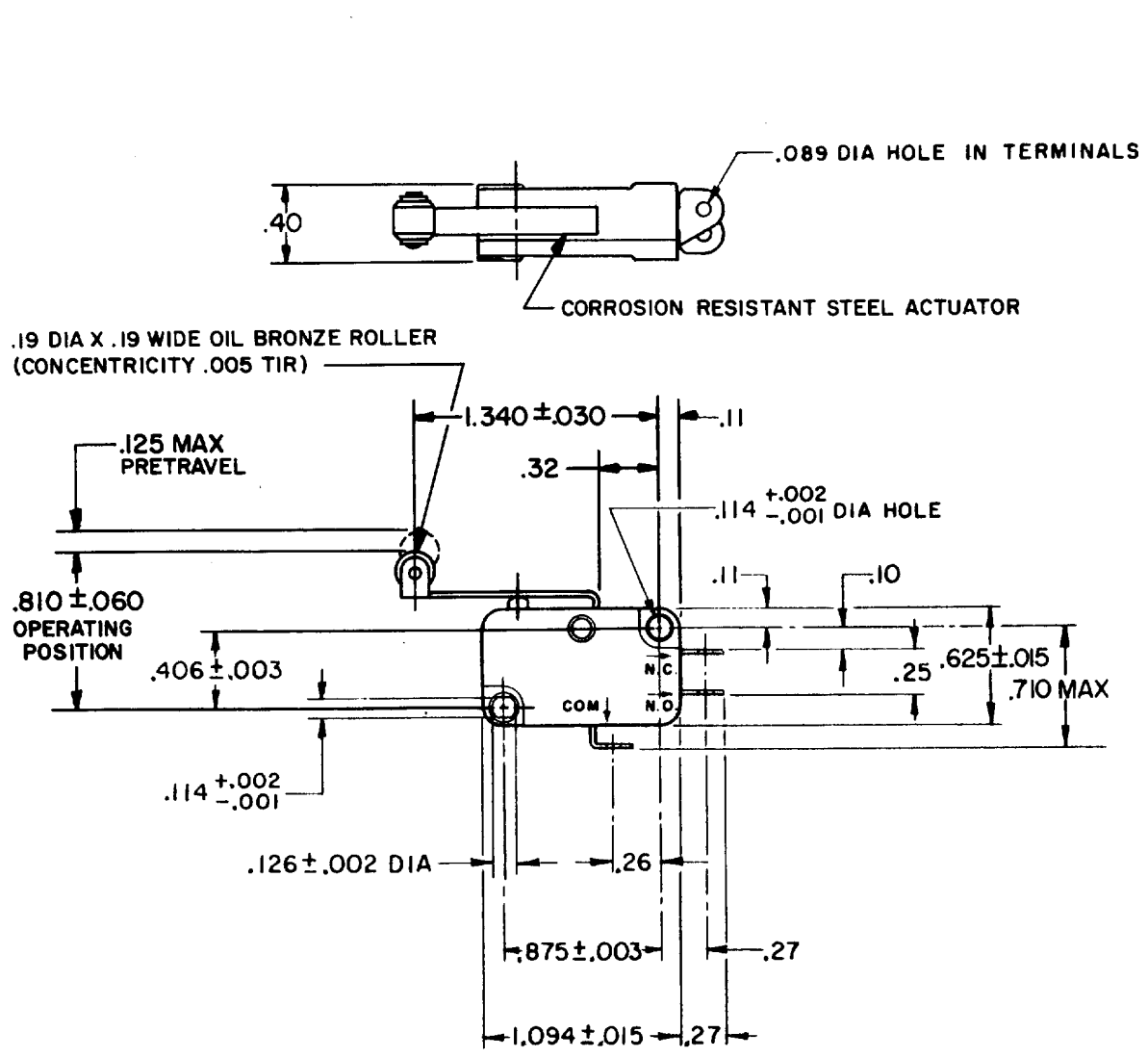
# MICRO SWITCH

FREERPORT ILLINOIS, U.S.A  
A DIVISION OF HONEYWELL  
FED. MFG. CODE 91929

## SWITCH-BASIC

CATALOG LISTING  
**V3L-2163**  
CQX1407

**V3L-2163**  
**M**  
 DRAWING NUMBER  
**2**  
 ISSUE  
**3**  
 REVISIONS  
**A** CO 76321  
 SMA 23 SEPT 66  
**B** CO 76300  
 JOB 19 NOV 93  
 CHECK  
 27 APR 73  
 CHECK  
 LSD  
 APR 73  
 CHECK  
 APR 73  
 DRAWN  
 FO-52848



NOTE -  
1 - TERMINALS ARE PLATED FOR SOLDERING

THIS DRAWING COVERS A PROPRIETARY ITEM AND IS THE PROPERTY OF MICRO SWITCH, A DIVISION OF HONEYWELL. THIS DRAWING IS NOT TO BE COPIED OR USED WITHOUT THE APPROVAL OF MICRO SWITCH.

CHARACTERISTICS	ELECTRICAL DATA	SCALE FULL
OPERATING FORCE -----31 GRAM MAX	CONTACT ARRANGEMENT SPDT	DO NOT SCALE PRINT
RELEASE FORCE -----2 GRAM MIN	-L131- 10A-1/4HP-125 OR 250 VAC 1/2A-125 VDC; 1/4A-250 VDC 3A-125 VAC "L" 	UNLESS OTHERWISE NOTED DIMENSIONS ARE IN INCHES <b>TOLERANCES ARE</b>
DIFFERENTIAL TRAVEL -----.030 MAX		ONE PLACE (.0) ± .030
OVERTRAVEL -----.085 MIN		TWO PLACE (.00) ± .015
RELEASE TRAVEL -----.016 MIN		THREE PLACE (.000) ± .005
		ANGLES ±
		WEIGHT