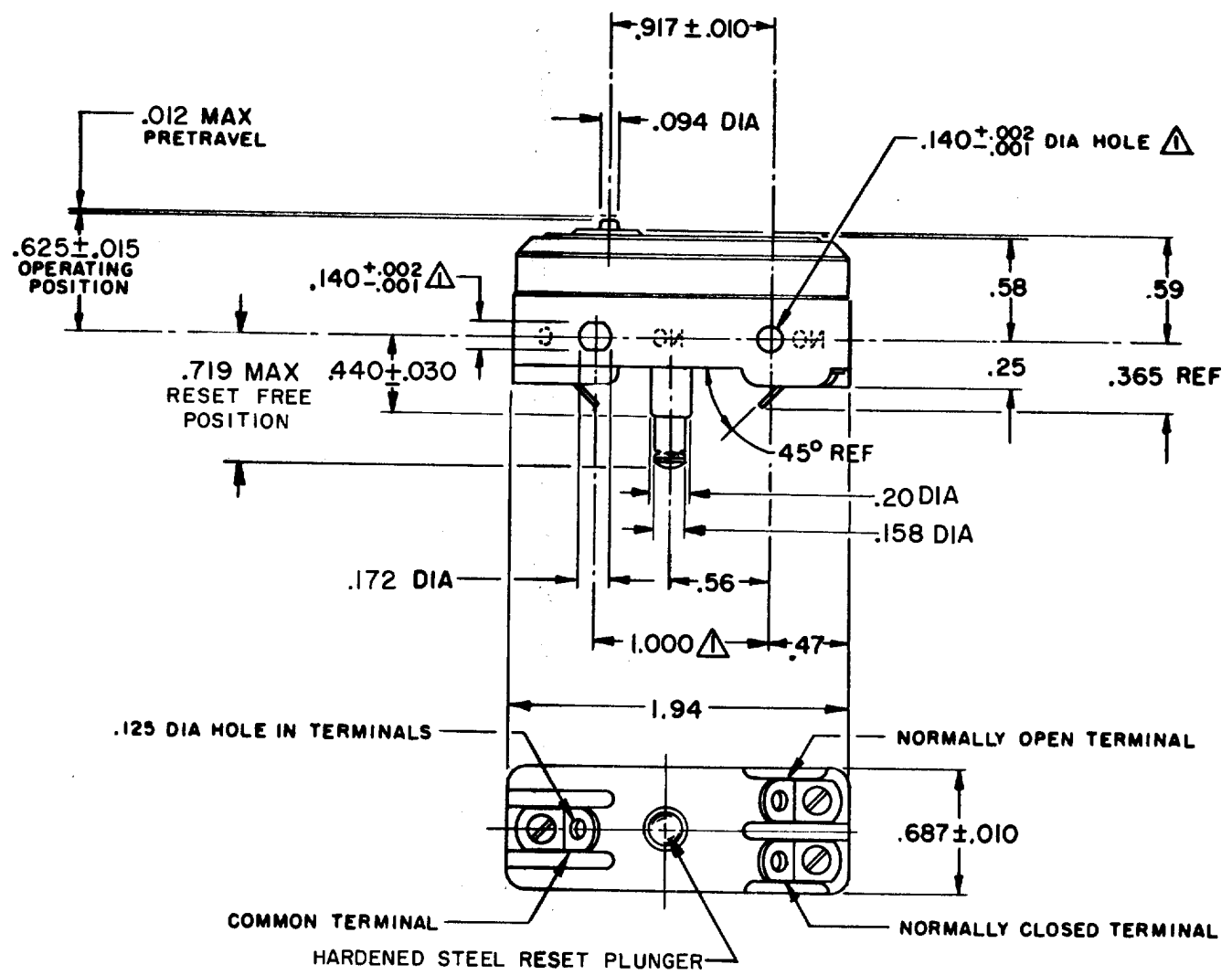


DRAWING NUMBER
M BZ-RX243
 ISSUE
45
 REVISIONS
 A PR 610 RER 10 APR 69
 B CO27289 L S D 27 MAY 70
 C CO-34859 J A L 13 FEB 75
 D 0033747 M S T 12SEP07
 CHECK DAW 10 APR 69
 CHECK GCH 10 APR 69
 PSR 12SEP07
 CHECK 10 APR 69
 APR 69
 RASTER FO-30378-004
 DRAWN
 RER



THIS DRAWING COVERS A PROPRIETARY ITEM AND IS THE PROPERTY OF MICRO SWITCH, A DIVISION OF MINNEAPOLIS-HONEYWELL REGULATOR CO. THIS DRAWING IS NOT TO BE COPIED OR USED WITHOUT THE APPROVAL OF MICRO SWITCH.

CHARACTERISTICS	ELECTRICAL DATA	SCALE FULL
OPERATING FORCE - - - - - 7-9 OZ OVERTRAVEL - - - - - .005 MIN RESET CHARACTERISTICS OPERATING FORCE - - - - - 2-9 OZ	CONTACT ARRANGEMENT SINGLE POLE DOUBLE THROW MAINTAINED CONTACT UNDERWRITERS' LAB. INC. LISTED RATING -L 67- 15 A-125, 250, OR 480 VAC 1/4 HP-125 VAC; 1/2 HP-250 VAC 1/2 A-125 VDC; 1/4 A-250 VDC -L310-	DO NOT SCALE PRINT UNLESS OTHERWISE NOTED DIMENSIONS ARE IN INCHES TOLERANCES ARE: ONE PLACE (.) ±.030 TWO PLACE (.00) ±.015 THREE PLACE (.000) ±.005 ANGLES ± WEIGHT .055 LB