



Representative photograph, actual product appearance may vary.

Due to regional agency approval requirements, some products may not be available in your area. Please contact your regional Honeywell office regarding your product of choice.

HOA1180-002

HOA Series Reflective Sensor, Transistor Output, Metal Can Packaged Components

Features

- Choice of phototransistor or photodarlington output
- High sensitivity
- Wide operating temperature range [-55 °C to 100 °C]
- 12.0 in [305 mm] min. 28 AWG PVC insulated wire leads

Description

The HOA1180 series consists of an infrared emitting diode and an NPN silicon phototransistor (HOA1180-001, -002) or photodarlington (HOA1180-003), encased side-by-side on converging optical axes in a black thermoplastic housing. The detector responds to radiation from the IRED only when a reflective object passes within its field of view. The HOA1180 series employs metal can packaged components. For additional component information see SE1450, SD1440, and SD1410.

Housing material is polyester. Housings are soluble in chlorinated hydrocarbons and ketones. Recommended cleaning agents are methanol and isopropanol.

Wire color code and functions are:

All devices

- IRED anode - Red
- IRED cathode - Black

HOA1180-001

- Collector - Brown
- Emitter - Black

HOA1180-002

- Collector - Orange
- Emitter - Black

HOA1180-003

- Collector - Yellow
- Emitter - Black



HOA1180-002

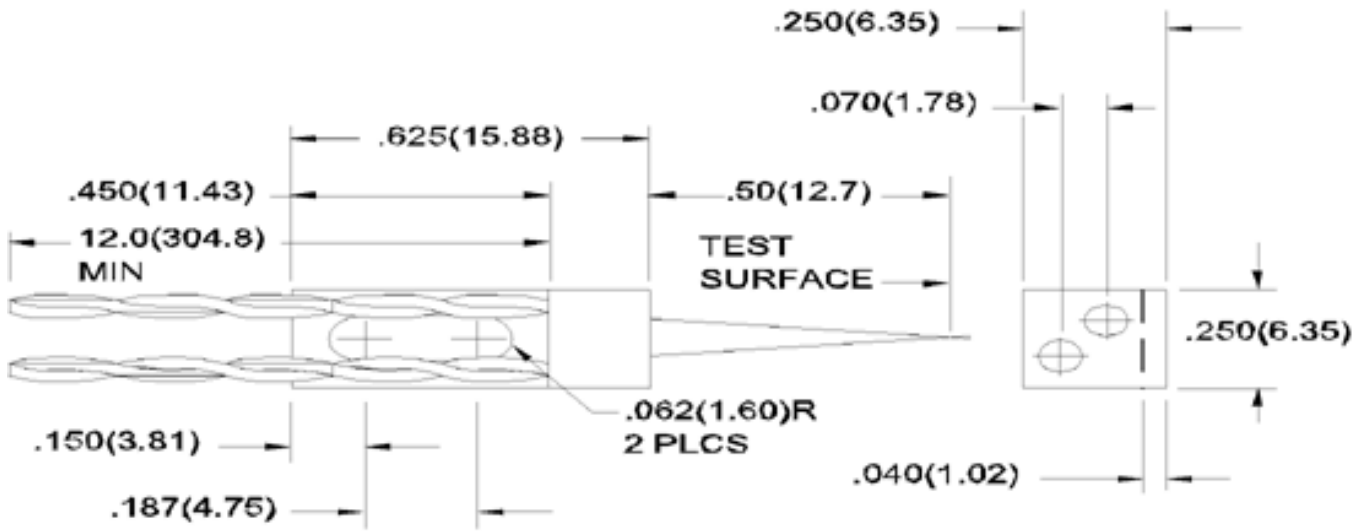
HOA Series Reflective Sensor, Transistor Output, Metal Can Packaged Components

| Product Specifications | |
|--------------------------------------|-------------------------------------|
| Product Type | IR Switch |
| On-State Collector Current | 0.16 mA |
| Output | Transistor |
| Package Style | Side-Looking |
| Package Components | Plastic |
| Package Color | Black |
| Forward Current | 30 mA |
| Continuous Forward Current | 50 mA |
| Forward Voltage | 1.6 V |
| Reverse Breakdown Voltage | 3 V |
| Reverse Current | 10 μ A |
| Housing Material | Polyester |
| Rise and Fall Time | 15 μ s |
| Power Dissipation | 75 mW |
| Operating Temperature Range | -55 °C to 100 °C [-67 °F to 212 °F] |
| Dark Current | 100 nA |
| Collector DC Current | 30 mA |
| Collector-Emitter Breakdown Voltage | 30 V |
| Emitter-Collector Breakdown Voltage | 5 V |
| Collector-Emitter Saturation Voltage | 0.4 V |
| Availability | Global |
| Product Name | Reflective Sensor |
| Optimum Point of Response | 6,35 mm [0.25 in] |

Honeywell

HOA1180-002

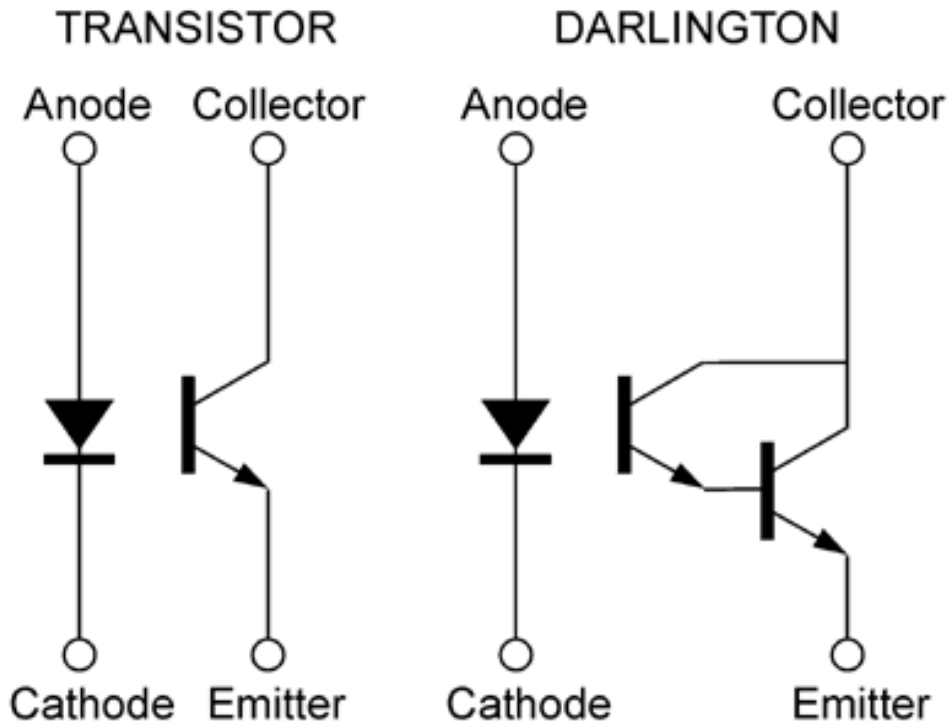
HOA Series Reflective Sensor, Transistor Output, Metal Can Packaged Components



Honeywell

HOA1180-002

HOA Series Reflective Sensor, Transistor Output, Metal Can Packaged Components



Honeywell

HOA1180-002

HOA Series Reflective Sensor, Transistor Output, Metal Can Packaged Components

WARNING

PERSONAL INJURY

DO NOT USE these products as safety or emergency stop devices, or in any other application where failure of the product could result in personal injury.

Failure to comply with these instructions could result in death or serious injury.

WARNING

MISUSE OF DOCUMENTATION

- The information presented in this product sheet (or catalog) is for reference only. DO NOT USE this document as product installation information.
- Complete installation, operation and maintenance information is provided in the instructions supplied with each product.

Failure to comply with these instructions could result in death or serious injury.

© Copyright Honeywell Inc. 1998-2004 All rights reserved.