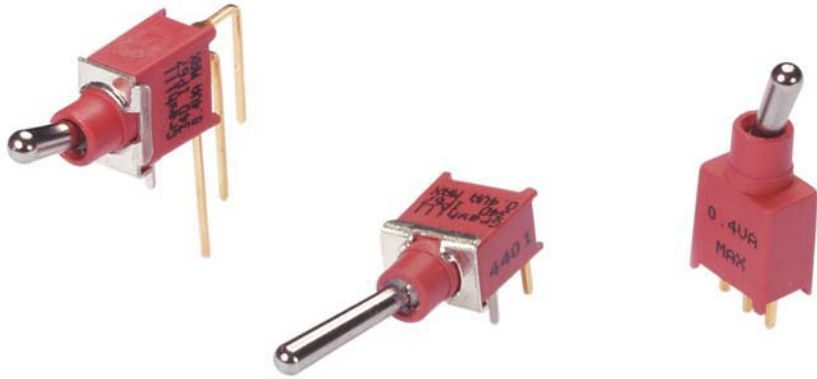


**SERIES 34D**  
Sealed Sub-Miniature Toggle Switches

**FEATURES**

- Save Space and Weight
- SPDT and DPDT Circuitry
- Choice of Actuators, Bushings, and Terminations
- Sealed per IP67



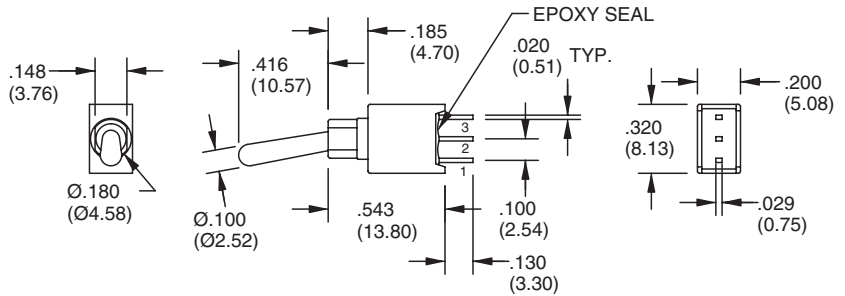
**MODELS** In inches (and millimeters)

**SPDT**

Model No.	Switching Position		
WMSP1	ON	NONE	ON
WMSP2	ON	NONE	(ON)
WMSP3	ON	OFF	ON
WMSP4	(ON)	OFF	(ON)
WMSP5	ON	OFF	(ON)
Term. Comm.	2-3	OPEN	2-1

( )=MOMENTARY

SCHEMATIC



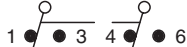
**DPDT**

Model No.	Switching Position		
WMDP1	ON	NONE	ON
WMDP2	ON	NONE	(ON)
WMDP3	ON	OFF	ON
WMDP4	(ON)	OFF	(ON)
WMDP5	ON	OFF	(ON)
Term. Comm.	2-3 5-6	OPEN	2-1 5-4

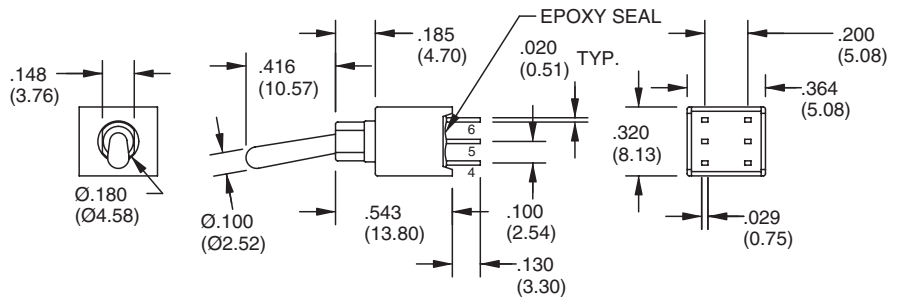
( )=MOMENTARY

02COMM.

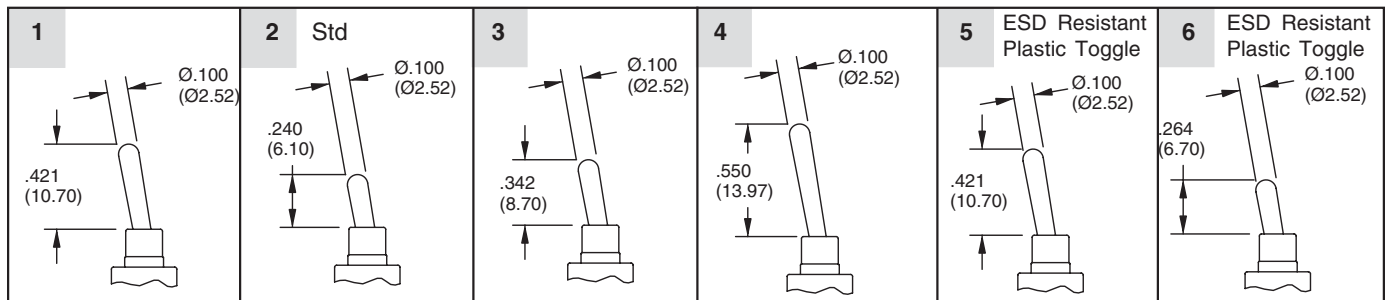
05COMM.



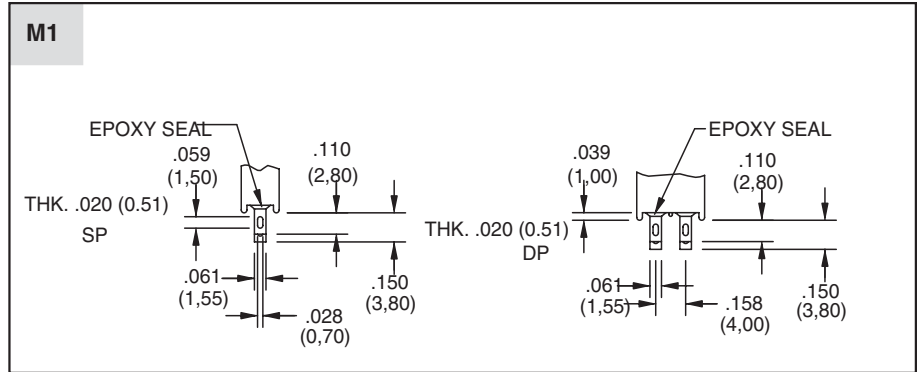
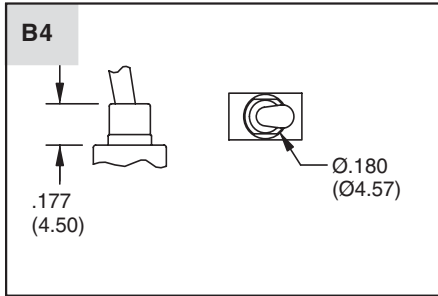
SCHEMATIC



**ACTUATOR OPTIONS** In inches (and millimeters)

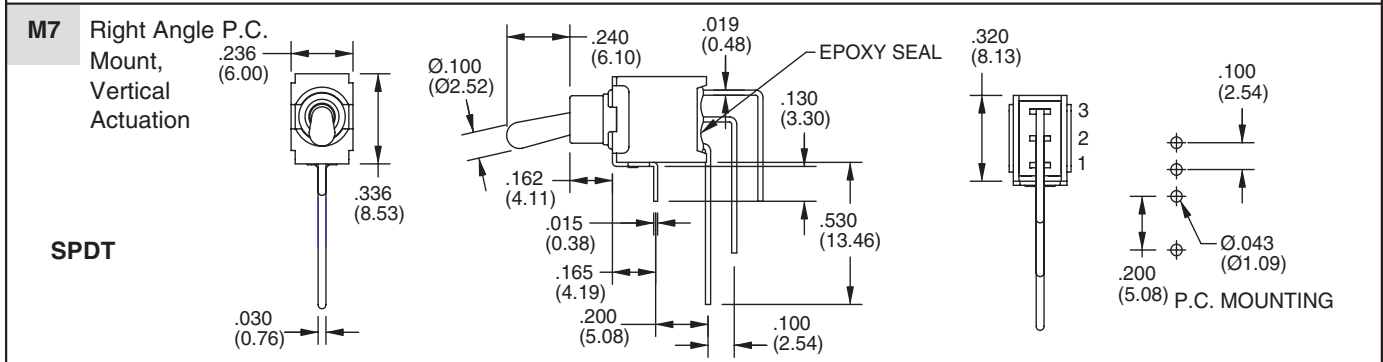
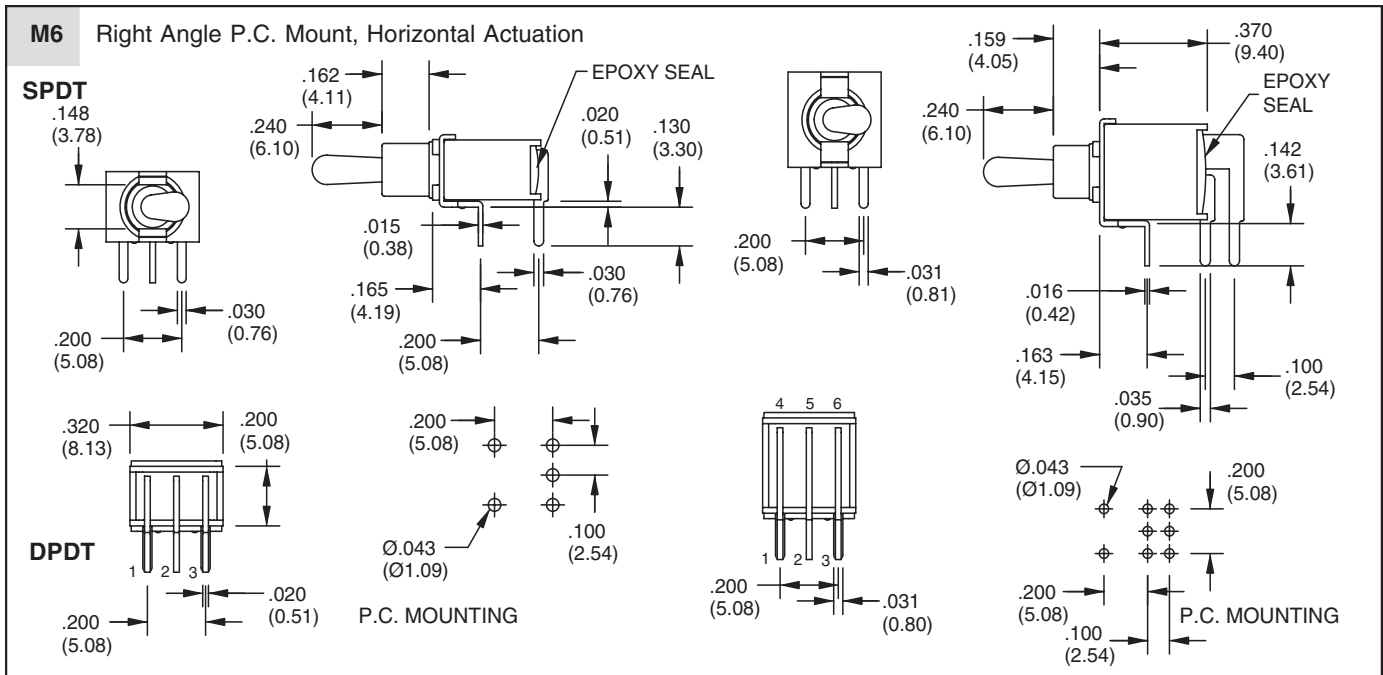
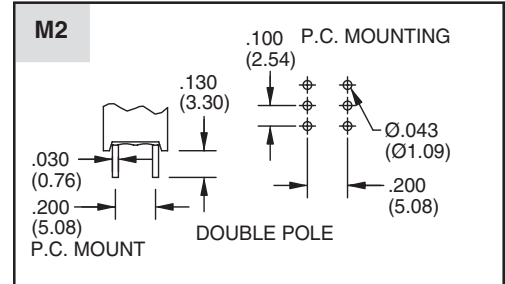
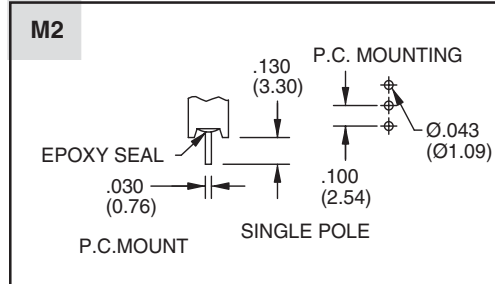


**BUSHING OPTION** In inches (and millimeters)

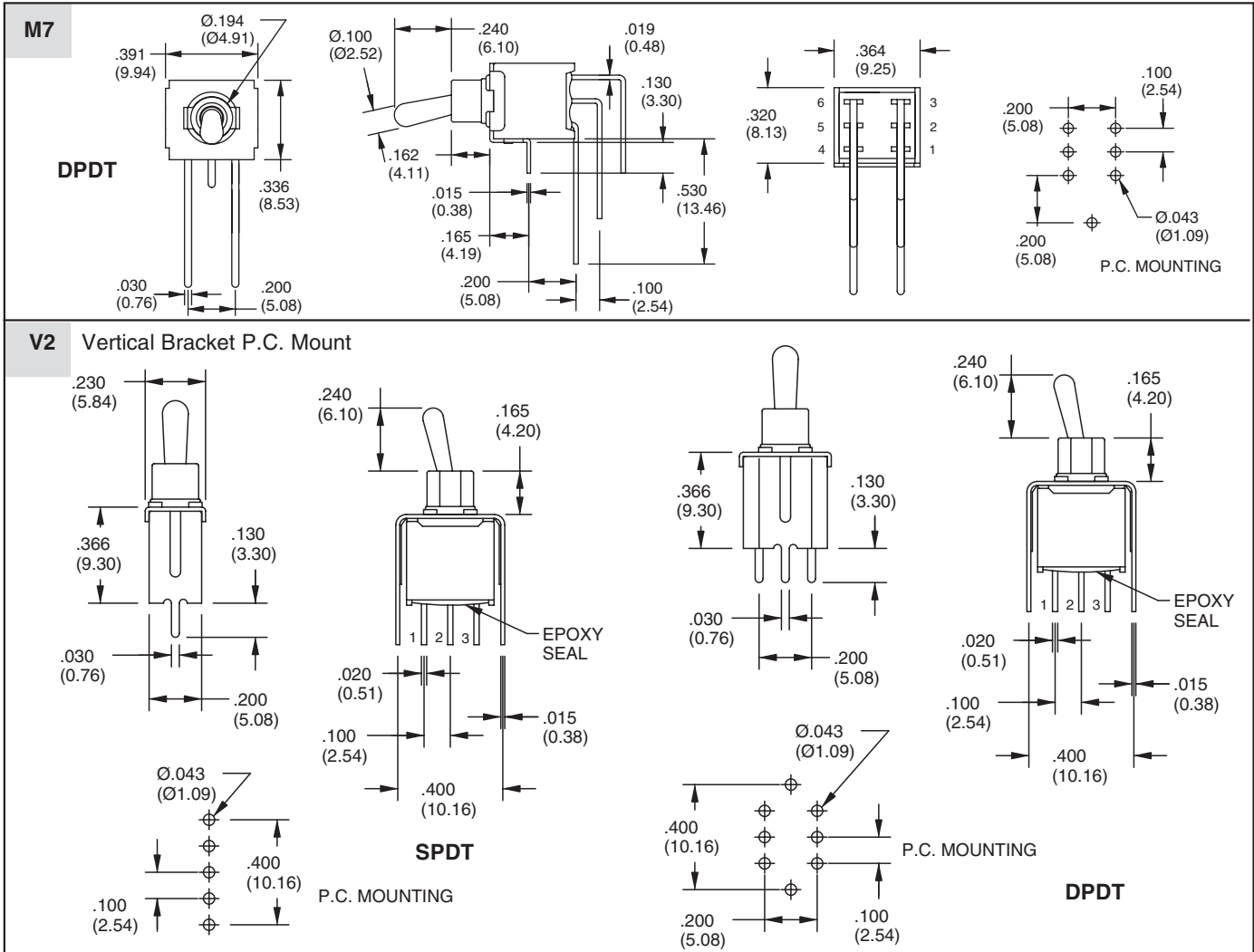


**TERMINATION OPTIONS**

In inches (and millimeters)



**TERMINATION OPTIONS** In inches (and millimeters)



**SPECIFICATIONS**

**RATINGS**

**Contact Rating:** Q option - 3A with resistive load @ 125VAC or 28 VDC; 1.5A with resistive load @ 250 VAC. R option-0.4 VA max @ 20 Vmax (AC or DC)  
**Electrical Life:** 30,000 make-and-break cycles at full load

**Contact Resistance:** 20 milliohms max. initial @ 2-4 VDC, 100 mA

**Insulation Resistance:** 1,000 megaohms minimum

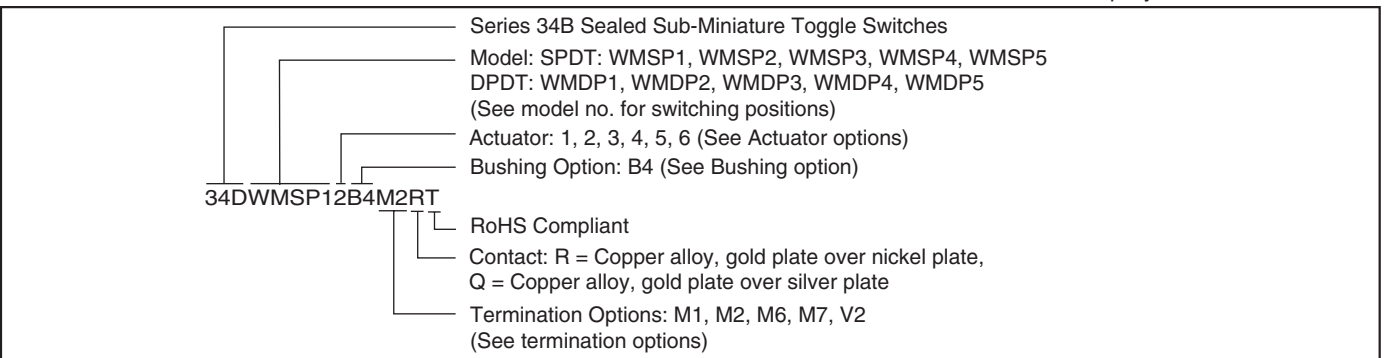
**Dielectric Strength:** 1,500 V RMS @ sea level

**Operating Temperature:** -30°C to 85°C

**MATERIALS**

**Case:** Diallyl phthalate (DAP) (UL94V-0)  
**Toggle Handle:** Brass, chrome plated  
**Bushing:** Brass, nickel plated  
**Housing:** Stainless steel  
**Terminal/Switch Support:** Brass, electroplated  
**Contacts & Terminals:** Copper alloy, gold plate over nickel plate or silver plate  
**Terminal Seal:** Epoxy

**ORDERING INFORMATION**



Available from your local Grayhill Component Distributor. For prices and discounts, contact a local Sales Office, an authorized local Distributor or Grayhill.

Toggle Switches