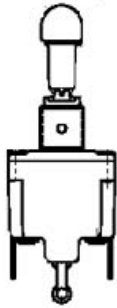




### 1NT1-3D



NT Series Toggle Switch, 1 pole, 2 position, Screw terminal, Locking Lever

*Actual product appearance may vary.*

#### Features

- Completely sealed switching chamber
- NEMA 3, 3R, 4, and 13
- UL recognized, File E12252, Vol. 1, Section 44
- CSA certified, File LR4442
- CE approved


#### Potential Applications

- Aerial lifts, scissor lifts, truck mounted tele-handlers, and cranes
- Construction equipment
- Agriculture equipment
- Material-handling equipment
- Factory-floor control units
- Machine tool equipment manufacturers

#### Description

MICRO SWITCH™ NT Series toggle switches meet the need for a rugged, cost-effective toggle switch. Quality construction features include a seal between the toggle lever and bushing, and between the cover and case. These switches can be used where panels are subject to splashes, hosedowns, or outdoor environments. The "Easy-Start" threaded bushing enables quick alignment of mounting nut to decrease the chance of cross threading. The panel stand-off with O-ring feature available on some listings, eliminates the need for behind-the-panel hardware, provides uniform panel height, and provides a panel to cover seal.

Product Specifications	
Circuitry/Operating action	<div style="display: flex; justify-content: space-around; align-items: center;"> <div style="text-align: center;"> <p><b>Keyway Position</b></p> <p>1 2 3 ON</p> </div> <div style="text-align: center;"> <p><b>Opposite Keyway Position</b></p> <p>1 2 3 ON</p> </div> </div>
Product Type	MICRO SWITCH™ Toggle Switch

Lever Lock	 <p>Locked out of center position</p>
Ampere/Voltage Range (Resistive Load)	0.75 A at 115 Vdc, 0.5 A at 250 Vdc, 0.5 A to 20 A at 0.5 Vdc to 28 Vdc, 0.5 A to 15 A at 0.5 Vac to 277 Vac
Circuitry	SPDT
Action	2 position
Mounting	Bushing 15/32 in
Termination	Screw
Lever Type	Locking
UL/CSA Rating Code	L191: 15 A-125, 250, 277 Vac; 1/2 Hp-125 Vac; 1 Hp-250, 277 Vac; 5 A-120 Vac "L"
Comment	One-pole transportation grade toggle
Availability	Global
UNSPSC Code	30211908
UNSPSC Commodity	30211908 Toggle switches
Series Name	NT

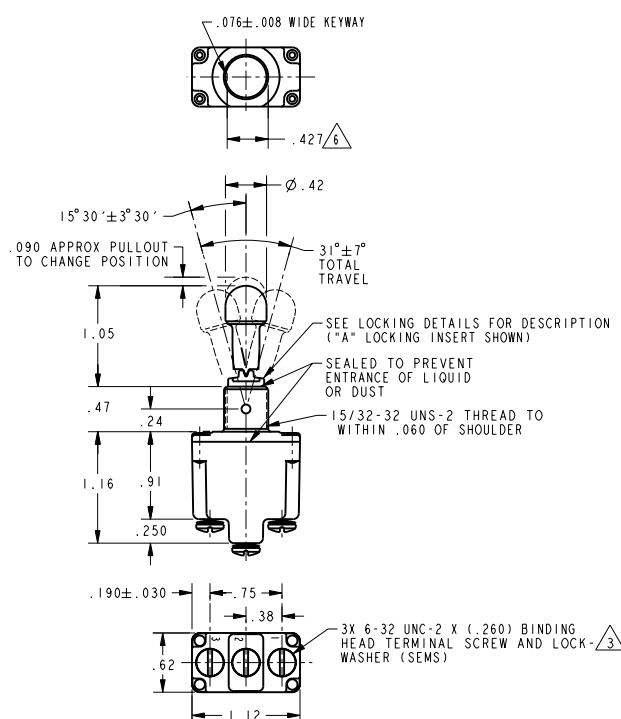
ISSUE	4	OF	4	REPLACES	
REVISIONS		CHECK			
A	CO95233	SM	15 JUL 99		
B	CO-94328				
C					
D					
E					
F					
G					
H					
I					
J					
K					
L					
M					
N					
O					
P					
Q					
R					
S					
T					
U					
V					
W					
X					
Y					
Z					
PTC/CAD	20	DRAWN			
TSM	15 JUL 99	CHECK	JAF	15 JUL 99	CHECK

**MICRO SWITCH**  
a Honeywell Division  
FED. MFG. CODE 91929

**SWITCH-TOGGLE**

CATALOG LISTING  
**INT1 SERIES CHART 2**

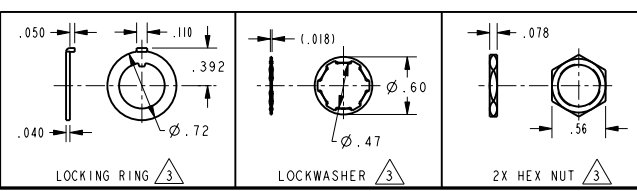
THIS DRAWING COVERS A PROPRIETARY ITEM AND IS THE PROPERTY OF MICRO SWITCH, A DIVISION OF HONEYWELL. THIS DRAWING IS NOT TO BE COPIED OR USED WITHOUT THE APPROVAL OF MICRO SWITCH.



ELECTRICAL DATA	AVAILABLE LOCKING COMBINATIONS FOR CONFIGURATION SEE LETTERED DETAILS	CATALOG LISTING	CIRCUIT MADE WITH TOGGLE LEVER IN		
			KEYWAY SIDE (1-2)	CENTER (1-2)	OPPOSITE KEYWAY (2-3)
L191 15A 125, 250, 277 VAC 1/2HP 125 VAC 1HP 250, 277 VAC 5A 125 VAC "L"	A,B,D,E,F,G,H,J,K,L,M,N,P	INT1-1	ON	OFF	ON
	D,F,G	INT1-2	OFF	NONE	ON
	D,F,G	INT1-3	ON	NONE	ON
	E,F,K,M	INT1-21	NONE	OFF	ON
	E,F,K,M	INT1-31	NONE	ON	ON
L192 10A 125, 250, 277 VAC 1/4HP 125 VAC 1/2HP 250, 277 VAC 3A 125 VAC "L"	F	INT1-4	MOM OFF	NONE	ON
	E,F,K,L,M,N	INT1-5	MOM ON	OFF	ON
	F	INT1-6	MOM ON	NONE	OFF
	E,L,N	INT1-7	MOM ON	OFF	MOM ON
	F	INT1-8	MOM ON	NONE	ON
	E	INT1-5	NONE	ON	MOM ON
E	INT1-61	MOM ON	OFF	NONE	

"A" LOCKED IN THREE POSITIONS	"B" LOCKED IN CENTER AND EXTREME POS. (KEYWAY SIDE)	"D" LOCKED OUT OF CENTER POSITION	"E" LOCKED IN CENTER POSITION	"F" LOCKED IN EXTREME POS. (OPP. KEYWAY)	"G" LOCKED IN EXTREME POS. (KEYWAY SIDE)
"H" LOCKED OUT OF CENTER AND EXTREME POS. (KEYWAY SIDE)	"J" LOCKED OUT OF CENTER AND EXTREME POS. (OPP. KEYWAY)	"K" LOCKED IN CENTER AND EXTREME POS. (OPP. KEYWAY)	"L" LOCKED OUT OF EXTREME POS. (KEYWAY SIDE)	"M" LOCKED OUT OF AND INTO EXTREME POS. (OPP. KEYWAY)	"N" LOCKED OUT OF EXTREME POS. (OPP. KEYWAY)
"P" LOCKED OUT OF AND INTO EXTREME POS. (KEYWAY SIDE)					

NOTES  
1 - SWITCHES ARE CAPABLE OF WITHSTANDING A TEMPERATURE OF 160° F CONTINUOUSLY AT FULL RATED LOAD  
2 - MICRO SWITCH CATALOG LISTING MARKED ON SIDE OF SWITCH FURNISHED UNASSEMBLED  
3 - SUFFIX LETTER MUST BE ADDED FOR DESIRED TYPE OF TOGGLE LOCKING. SEE CHART FOR AVAILABLE LOCKING COMBINATIONS  
4 - APPLIES ONLY TO "ON" AND "MOMENTARY ON" POSITIONS FROM BOTTOM OF KEYWAY TO MAJOR DIA OF 15/32 THREAD



THIRD ANGLE PROJECTION
SCALE FULL
DO NOT SCALE PRINT
UNLESS OTHERWISE SPECIFIED TOLERANCES ARE
ONE PLACE (.01) ±.030
TWO PLACE (.00) ±.015
THREE PLACE (.000) ±.005
ANGLES ±
WEIGHT .08 LBS APPROX

ANSI Y14.5M-1982 APPLIES