

**SERIES 38BM AND 38BC**  
Sub-Miniature Surface Mount



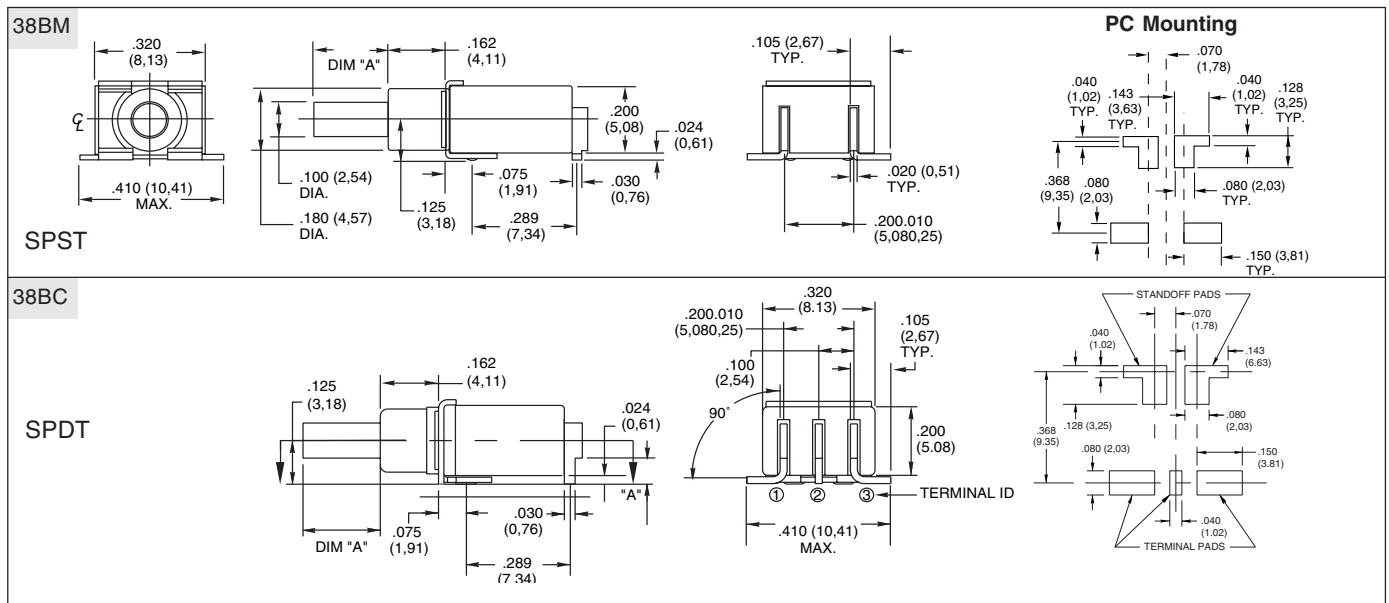
**FEATURES**

- Surface Mount Process Compatible
- Sealed Construction
- SPST and SPDT, Momentary Contact
- Extended or Flush Plunger
- Drop-In Replacement for Industry Standard



**SPECIFICATIONS**

**DIMENSIONS** In inches (and millimeters)



**Rating Criteria**

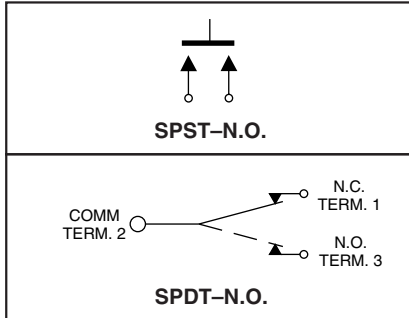
**Operating Life:** 80,000 make-and-break cycles at full load  
**Contact Rating (resistive load):**  
*Gold Contacts:* 0.4 VA maximum at 20 Vac or Vdc maximum  
*Silver Contacts:* I.O. Amps maximum at 120 Vac or 28 Vdc  
**Contact Resistance:** Below 20 milliohms typical initial at 2-4 Vdc, 100 mA  
**Insulation Resistance:** 1000 megaohms min.  
**Voltage Breakdown:** 1000 Vrms minimum at sea level  
**Operating Temperature:** -30°C to +85°C  
**Solderability:** Per MIL-STD-202F, Method 208D, or EIA RS-186E Method 9 (1 hour steam aging)  
**Materials and Finishes**

**Base and Cover:** Thermoplastic (UL 94V-0)  
**Plunger:** Thermoplastic (UL 94V-0), with standard internal o-ring seal  
**Terminals:** Copper alloy, gold plate over nickel plate  
**Spring:** Plated Music Wire  
**Contact System:** Copper alloy, gold or silver plate (as specified) over nickel plate  
**Switch Support:** Brass, tin-plated

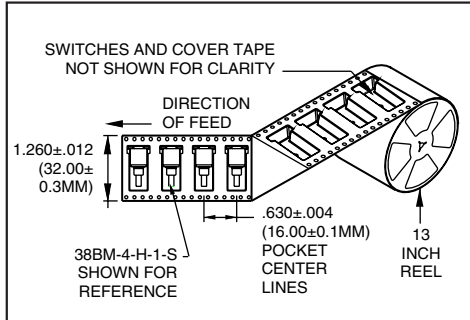
**Available from your local Grayhill Distributor.**  
 For prices and discounts, contact a local Sales Office, an authorized local Distributor or Grayhill.

**SERIES 38BM AND 38BC**  
Sub-Miniature Surface Mount

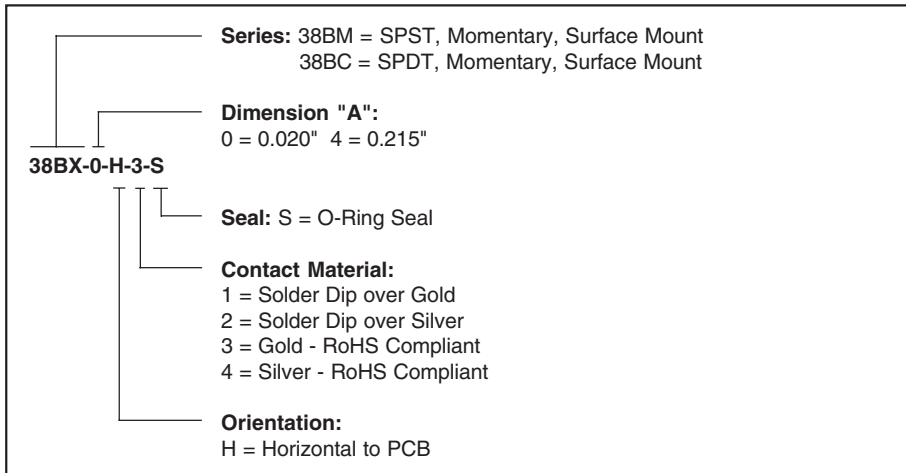
**CIRCUITRY**



**TAPE AND REEL PACKAGING**



**ORDERING INFORMATION**



Pushbutton Switches