



SanDisk CompactFlash Memory Card

OEM Product Manual

Version 12.0

Document No. 20-10-00038

02/2007

SanDisk Corporation
Corporate Headquarters
601 McCarthy Boulevard
Milpitas, CA 95035
(408) 801-1000 Phone
(408) 801-8657 Fax
www.sandisk.com

SanDisk® Corporation general policy does not recommend the use of its products in life support applications where in a failure or malfunction of the product may directly threaten life or injury. Per SanDisk Terms and Conditions of Sale, the user of SanDisk products in life support applications assumes all risk of such use and indemnifies SanDisk against all damages. Security safeguards, by their nature, are capable of circumvention. SanDisk cannot, and does not, guarantee that data will not be accessed by unauthorized persons, and SanDisk disclaims any warranties to that effect to the fullest extent permitted by law.

This document is for information use only and is subject to change without prior notice. SanDisk Corporation assumes no responsibility for any errors that may appear in this document, nor for incidental or consequential damages resulting from the furnishing, performance or use of this material. No part of this document may be reproduced, transmitted, transcribed, stored in a retrievable manner or translated into any language or computer language, in any form or by any means, electronic, mechanical, magnetic, optical, chemical, manual or otherwise, without the prior written consent of an officer of SanDisk Corporation.

All parts of the SanDisk documentation are protected by copyright law and all rights are reserved. SanDisk and the SanDisk logo are trademarks of SanDisk Corporation, registered in the United States and other countries. CompactFlash is a U.S. registered trademark of SanDisk Corporation.

Product names mentioned herein are for identification purposes only and may be trademarks and/or registered trademarks of their respective companies.

© 2007 SanDisk Corporation. All rights reserved.

SanDisk products are covered or licensed under one or more of the following U.S. Patent Nos. 5,070,032; 5,095,344; 5,168,465; 5,172,338; 5,198,380; 5,200,959; 5,268,318; 5,268,870; 5,272,669; 5,418,752; 5,602,987. Other U.S. and foreign patents awarded and pending.

Document 20-10-00038 Rev. 12.0

Revision History

Date	Revision	Description
February 2007	12.0	Merged CFlash 11.2 manual with CF Extremelll v1.2 to create v12.0; updated to comply with CFA Spec v4.0.

–This page intentionally left blank–

Table of Contents

CHAPTER 1	<i>Introduction</i>	<i>1-1</i>
	General Description	1-1
	Features	1-2
	Scope	1-2
	CompactFlash Standard	1-2
	PCMCIA Standard	1-3
	Related Documentation	1-3
	Functional Description	1-3
CHAPTER 2	<i>Product Specifications</i>	<i>2-1</i>
	System Environmental Specifications	2-1
	System Power Requirements	2-1
	System Performance	2-3
	System Reliability	2-4
	Physical Specifications	2-4
CHAPTER 3	<i>Interface Description</i>	<i>3-1</i>
	Physical Description	3-1
	Electrical Description	3-3
	Electrical Specification	3-8
	Card Configuration	3-20
	I/O Transfer Function	3-25
	True IDE Mode I/O Transfer Function	3-26
CHAPTER 4	<i>ATA Register Set and Protocol</i>	<i>4-1</i>
	I/O Primary and Secondary Address Configurations	4-1
	Contiguous I/O Mapped Addressing	4-2

	Memory Mapped Addressing	4-3
	True IDE Mode Addressing	4-4
	ATA Registers	4-4
CHAPTER 5	<i>ATA Command Description</i>	5-1
	ATA Command Set	5-1
	Error Posting	5-29
CHAPTER 6	<i>CIS Description</i>	6-1
APPENDIX A	<i>Ordering Information</i>	A-1
APPENDIX B	<i>Limited Warranty</i>	B-1
APPENDIX C	<i>Disclaimer of Liability</i>	C-1

1.1 General Description

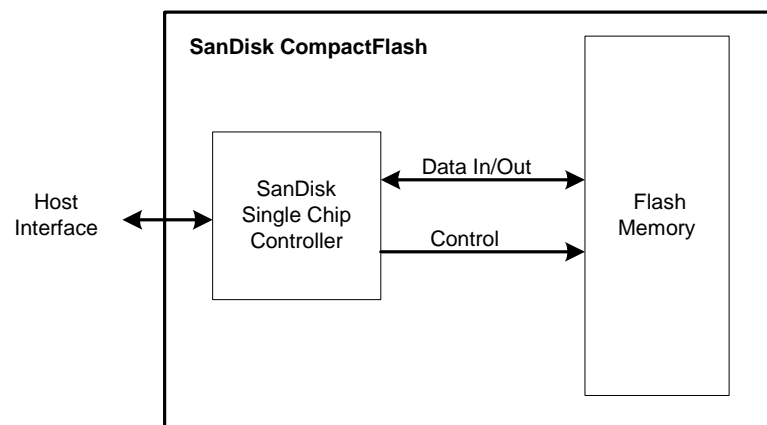
SanDisk CompactFlash® Memory Card products provide high capacity solid-state flash memory that electrically complies with the Personal Computer Memory Card International Association ATA (PC Card ATA) standard. (In Japan, the applicable standards group is JEIDA.) The CompactFlash Memory Card Series also supports a True IDE Mode that is electrically compatible with an IDE disk drive. The original CF form factor card can be used in any system that has a CF slot, and with a Type II PCMCIA adapter can be used in any system that has a PCMCIA Type II or Type III socket.

CompactFlash Memory cards use SanDisk Flash memory, which was designed by SanDisk specifically for use in mass storage applications. In addition to the mass storage-specific flash memory chips, CompactFlash Memory cards include an on-card intelligent controller that provides a high level interface to the host computer. This interface allows a host computer to issue commands to the memory card to read or write blocks of memory. The host addresses the card in 512 byte sectors. Each sector is protected by a powerful Error Correcting Code (ECC).

The on-card intelligent controller in the CompactFlash Memory Card manages interface protocols, data storage and retrieval as well as ECC, defect handling and diagnostics, power management and clock control. Once the card has been configured by the host, it appears to the host as a standard ATA (IDE) disk drive. Additional ATA commands have been provided to enhance system performance.

The host system can support as many cards as there are CompactFlash and PCMCIA Type II or III card slots. The original form factor CompactFlash Memory cards require a PCMCIA Type II Adapter to be used in a PCMCIA Type II or Type III socket.

Figure 1-1 SanDisk CompactFlash Card Block Diagram



1.2 Features

SanDisk CompactFlash Memory cards provide the following system features:

- Up to 16 GB of mass storage data
- PC Card ATA protocol compatible
- True IDE Mode compatible
- Very low CMOS power
- Very high performance
- Very rugged
- Low weight
- Noiseless
- Low Profile
- +5 Volts or +3.3 Volts operation
- Automatic error correction and retry capabilities
- Supports power down commands and sleep modes
- Non-volatile storage (no battery required)
- MTBF >1,000,000 hours
- Minimum 10,000 insertions

1.3 Scope

This document describes the key features and specifications of CompactFlash Memory cards, as well as the information required to interface this product to a host system. Retail CompactFlash specifications are not covered in this manual.

1.4 CompactFlash Standard

SanDisk CompactFlash Memory cards are fully compatible with the CompactFlash Specification published by the CompactFlash Association. Contact the CompactFlash Association for more information.

CompactFlash Association
P.O. Box 51537
Palo Alto, CA 94303
USA
Phone: 415-843-1220
Fax: 415-493-1871
www.compactflash.org

1.5 PCMCIA Standard

SanDisk CompactFlash Memory cards are fully electrically compatible with the PCMCIA specifications listed below:

- PCMCIA PC Card Standard, 7.0, February 1999
- PCMCIA PC Card ATA Specification, 7.0, February 1999

These specifications may be obtained from:

PCMCIA
2635 N. First Street, Suite 209
San Jose, CA 95131
USA
Phone: 408-433-2273
Fax: 408-433-9558

1.6 Related Documentation

ATA operation is governed by the ATA-4 specification published by ANSI. For more information, refer to the American National Standard X3.221: AT Attachment for Interface for Disk Drives document.

Documentation can be ordered from IHS by calling 1-800-854-7179 or accessing their Web site: <http://global.ihs.com>.

1.7 Functional Description

CompactFlash Memory cards contain a high level, intelligent subsystem as shown in the block diagram, Figure 1-1. This intelligent (microprocessor) subsystem provides many capabilities not found in other types of memory cards. These capabilities include the following:

- Standard ATA register and command set (same as found on most magnetic disk drives).
- Host independence from details of erasing and programming flash memory.
- Sophisticated system for managing defects (analogous to systems found in magnetic disk drives).
- Sophisticated system for error recovery including a powerful error correction code (ECC).
- Power management for low power operation.
- Implementation of dynamic and static wear-leveling to extend card's life.

1.7.1 Technology Independence

The 512-byte sector size of the CompactFlash Memory Card is the same as that in an IDE magnetic disk drive. To write or read a sector (or multiple sectors), the host computer software simply issues a Read or Write command to the card. This command contains the address and the number of sectors to write/read. The host software then waits for the command to complete.

The host software does not get involved in the details of how the flash memory is erased, programmed or read. This is extremely important as flash devices are expected to get more and more complex in the future. Because the CompactFlash Memory Card Series uses an intelligent on-board controller, the host system software will not require changing as new flash memory evolves. In other words, systems that support CompactFlash Memory cards now, will be able to access future SanDisk cards built with new flash technology without having to update or change host software.

1.7.2 Defect and Error Management

CompactFlash Memory cards contain a sophisticated defect and error management system. This system is analogous to the systems found in magnetic disk drives and in many cases offers enhancements. If necessary, the cards will rewrite data from a defective sector to a good sector. This is completely transparent to the host and does not consume any user data space.

The CompactFlash Memory Card soft error rate specification is much better than the magnetic disk drive specification. In the extremely rare case a read error does occur, CompactFlash Memory cards have innovative algorithms to recover the data by using hardware on-the-fly Error Detection Code/Error Correction Code (EDC/ECC), based on a BCH algorithm.

These defect and error management systems, coupled with the solid state construction, give SanDisk CompactFlash cards unparalleled reliability

1.7.3 Wear Leveling

Wear Leveling is an intrinsic part of the erase pooling functionality of SanDisk CompactFlash using NAND memory. The CF WEAR LEVEL command is supported as a NOP operation to maintain backward compatibility with existing software utilities. Advanced features of dynamic and static wear-leveling, and automatic block management are used to ensure high data reliability and maximize flash life expectancy.

1.7.4 Using Erase Sector and Write Commands

SanDisk CompactFlash Memory cards support the CF ERASE SECTOR and WRITE WITHOUT ERASE commands. In some applications, write operations may be faster if the addresses being written are first erased with the ERASE SECTOR command. WRITE WITHOUT ERASE behaves as a normal write command and no performance gain results from its use.

1.7.5 Automatic Sleep Mode

A unique feature of the SanDisk CompactFlash Memory Card is automatic entrance and exit from sleep mode. Upon completion of a command, the card will enter sleep mode to conserve power if no further commands are received within 5 msec. The host does not have to take any action for this to occur. In most systems, the CompactFlash Memory Card is in sleep mode except when the host is accessing it, thus conserving power. The delay from command completion to entering sleep mode is adjustable.

When the host is ready to access the card and is in sleep mode, any command issued to it will cause the card to exit sleep and respond. The host does not have to follow the ATA protocol of issuing a reset first. It may do this if desired, but it is not needed. By not issuing the reset, performance is improved through the reduction of overhead but this must be done only for the SanDisk products as other ATA products may not support this feature.

1.7.6 Dynamic Adjustment of Performance vs. Power Consumption

This feature is no longer supported. This command will be treated as a NOP (No Operation) to guarantee backward compatibility.

1.7.7 Power Supply Requirements

This is a dual voltage product, which means it will operate at a voltage range of 3.30 volts \pm 5% or 5.00 volts \pm 10%. Per the PCMCIA specification Section 2.1.1, the host system must apply 0 volts in order to change a voltage range. This same procedure of providing 0 volts to the card is required if the host system applies an input voltage outside the desired voltage by more than 15%. This means less than 4.25 volts for the 5.00-volt range and less than 2.75 volts for the 3.30 volt range.

–This page intentionally left blank–

For all the following specifications, values are defined at ambient temperature and nominal supply voltage unless otherwise stated.

2.1 System Environmental Specifications

Table 2-1 contains environmental specifications which include temperature, humidity, acoustic noise, vibration, shock and altitude.

Table 2-1 Environmental Specifications

	CompactFlash		CompactFlash Extreme III
Temperature	Operating:	0° C to 70° C	-25° C to 85° C
	Non-operating:	-25° C to 85° C	-25° C to 85° C
Humidity	Operating:	8% to 95% non-condensing	8% to 95% non-condensing
	Non-operating:	8% to 95% non-condensing	8% to 95% non-condensing
Acoustic Noise	At 1 meter:	0 dB	0 dB
Vibration	Operating:	15 G peak to peak maximum	15 G peak to peak maximum
	Non-operating:	15 G peak to peak maximum	15 G peak to peak maximum
Shock	Operating:	2,000 G maximum	2,000 G maximum
	Non-operating:	2,000 G maximum	2,000 G maximum
Altitude (relative to sea level)	Operating:	80,000 ft. maximum	80,000 ft. maximum
	Non-operating:	80,000 ft. maximum	80,000 ft. maximum

2.2 System Power Requirements

All values quoted in Table 2-2 are typical at 25° C and nominal supply voltage unless otherwise stated.

Sleep mode currently is specified under the condition that all card inputs are static CMOS levels and in a "Not Busy" operating state.

Table 2-2 Power Requirements

DC Input Voltage (Vcc)			
100 mV max. ripple (p-p)		3.3V +/- 5%	5V +/- 10%
Memory Subsystem ^a	CompactFlash Memory Card		
	Sleep		
	Up to 512 MB	300 μ	500 μ
	1.0 GB	600 μ	800 μ
	Over 1.0 GB	1 mA	1.2 mA
	Read	50 mA	55 mA
	Write	65 mA	70 mA
	Read/Write Peak	100 mA	100 mA
Memory Subsystem ^a	CompactFlash Extreme III Memory Card		
	Sleep		
	Up to 512 MB	300 μ	500 μ
	512 MB to 1.5 GB	600 μ	800 μ
	Over 1.5 GB	1 mA	1.2 mA
	Read	75 mA	100 mA
	Write	75 mA	100 mA
	Read/Write Peak	100 mA	100 mA

a. Maximum average value.

2.3 System Performance

All performance timings assume the CompactFlash Memory Card Series controller is in the default (i.e., fastest) mode.

Table 2-3 Performance

CompactFlash Memory Card	
Start-up Times	
Sleep to Write	2.5 ms maximum
Sleep to Read	20 ms maximum
Reset to Ready	50 ms typical; 400 ms maximum
Active to Sleep Delay	Programmable
Data Transfer Rate To/From Flash	20.0 MB/sec burst
Data Transfer Rate To/From Host	16.0 MB/sec burst
Controller Overhead	
Command to DRQ	50 ms maximum
CompactFlash Extreme III Memory Card	
Start-up Times	
Sleep to Write	2.5 ms maximum
Sleep to Read	20 ms maximum
Reset to Ready	50 ms typical; 400 ms maximum
Data Transfer Rate To/From Flash	20.0 MB/sec burst
Data Transfer Rate To/From Host	25.0 MB/sec burst
Maximum Performance	
Sequential Read	20.0 MB/sec
Sequential Write	20.0 MB/sec

NOTE: The Sleep to Write and Sleep to Read times are the times it takes the CompactFlash Memory Card to exit sleep mode when any command is issued by the host to when the card is reading or writing. CompactFlash Memory cards do not require a reset to exit sleep mode.

2.4 System Reliability

Table 2-4 Reliability

MTBF (@ 25 C)	>1,000,000 hours
Preventative Maintenance	None
Data Reliability	<1 non-recoverable error in 10^{14} bits read <1 erroneous correction in 10^{20} bits read

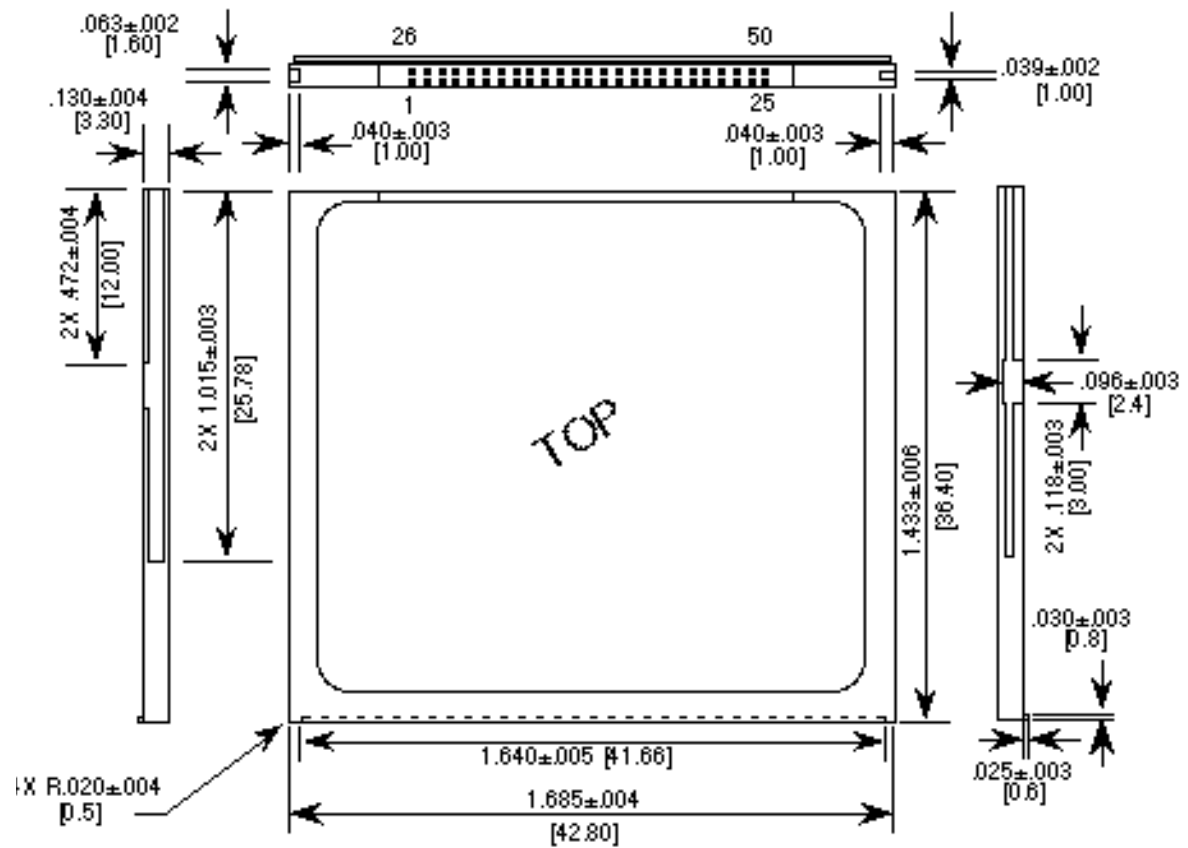
2.5 Physical Specifications

Refer to Table 2-5 and see Figure 2-1 for CompactFlash Memory Card physical specifications and dimensions.

Table 2-5 CompactFlash Physical Dimensions

Weight	11.4 g (.40 oz) typical, 14.2 g (.50 oz) maximum
Length	36.40 ± 0.15 mm ($1.433 \pm .006$ in)
Width	42.80 ± 0.10 mm ($1.685 \pm .004$ in)
Thickness	$3.3 \text{ mm} \pm 0.10$ mm ($.130 \pm .004$ in) (Excluding Lip)

Figure 2-1 CompactFlash Memory Card Dimensions



–This page intentionally left blank–

3.1 Physical Description

The host connects to SanDisk CompactFlash Memory cards using a standard 50-pin connector consisting of two rows of 25 female contacts each on 50 mil (1.27 mm) centers.

3.1.1 Pin Assignments and Types

The signal/pin assignments are listed in Table 3-1. Low active signals have a "-" prefix. Pin types are Input, Output or Input/Output. Sections 3.3.1 and 3.3.2 define the DC characteristics for all input and output type structures..

Table 3-1 PC Card Memory Mode Pin Assignments

Pin No.	Signal Name	Pin Type	I/O Type	Pin No.	Signal Name	Pin Type	I/O Type
1	GND	–	Ground	26	-CD1	O	Ground
2	D03	I/O	I1Z,OZ3	27	D11	I/O	I1Z,OZ3
3	D04	I/O	I1Z,OZ3	28	D12	I/O	I1Z,OZ3
4	D05	I/O	I1Z,OZ3	29	D13	I/O	I1Z,OZ3
5	D06	I/O	I1Z,OZ3	30	D14	I/O	I1Z,OZ3
6	D07	I/O	I1Z,OZ3	31	D15	I/O	I1Z,OZ3
7	-CE1	I	I3U	32	-CE2	I	I3U
8	A10	I	I1Z	33	-VS1	O	Ground
9	-OE	I	I3U	34	-IORD	I	I3U
10	A09	I	I1Z	35	-IOWR	I	I3U
11	A08	I	I1Z	36	-WE	I	I3U
12	A07	I	I1Z	37	RDY/BSY	O	OT1
13	VCC	–	Power	38	VCC	–	Power
14	A06	I	I1Z	39	-CSEL	I	I2Z
15	A05	I	I1Z	40	-VS2	O	OPEN
16	A04	I	I1Z	41	RESET	I	I2Z
17	A03	I	I1Z	42	-WAIT	O	OT1
18	A02	I	I1Z	43	-INPACK	O	OT1
19	A01	I	I1Z	44	-REG	I	I3U
20	A00	I	I1Z	45	BVD2	I/O	I1U,OT1
21	D00	I/O	I1Z,OZ3	46	BVD1	I/O	I1U,OT1
22	D01	I/O	I1Z,OZ3	47	D08	I/O	I1Z,OZ3
23	D02	I/O	I1Z,OZ3	48	D09	I/O	I1Z,OZ3
24	WP	O	OT3	49	D10	I/O	I1Z,OZ3
25	-CD2	O	Ground	50	GND	–	Ground

PC Card I/O Pin Assignments are contained in Table 3-2.

Table 3-2 PC Card I/O Mode Pin Assignments

Pin No.	Signal Name	Pin Type	I/O Type	Pin No.	Signal Name	Pin Type	I/O Type
1	GND	–	Ground	26	-CD1	O	Ground
2	D03	I/O	I1Z,OZ3	27	D11	I/O	I1Z,OZ3
3	D04	I/O	I1Z,OZ3	28	D12	I/O	I1Z,OZ3
4	D05	I/O	I1Z,OZ3	29	D13	I/O	I1Z,OZ3
5	D06	I/O	I1Z,OZ3	30	D14	I/O	I1Z,OZ3
6	D07	I/O	I1Z,OZ3	31	D15	I/O	I1Z,OZ3
7	-CE1	I	I3U	32	-CE2	I	I3U
8	A10	I	I1Z	33	-VS1	O	Ground
9	-OE	I	I3U	34	-IORD	I	I3U
10	A09	I	I1Z	35	-IOWR	I	I3U
11	A08	I	I1Z	36	-WE	I	I3U
12	A07	I	I1Z	37	-IREQ	O	OT1
13	VCC	–	Power	38	VCC	–	Power
14	A06	I	I1Z	39	-CSEL	I	I2Z
15	A05	I	I1Z	40	-VS2	O	OPEN
16	A04	I	I1Z	41	RESET	I	I2Z
17	A03	I	I1Z	42	-WAIT	O	OT1
18	A02	I	I1Z	43	-INPACK	O	OT1
19	A01	I	I1Z	44	-REG	I	I3U
20	A00	I	I1Z	45	-SPKR	I/O	I1U,OT1
21	D00	I/O	I1Z,OZ3	46	-STSCHG	I/O	I1U,OT1
22	D01	I/O	I1Z,OZ3	47	D08	I/O	I1Z,OZ3
23	D02	I/O	I1Z,OZ3	48	D09	I/O	I1Z,OZ3
24	-IOIS16	O	OT3	49	D10	I/O	I1Z,OZ3
25	-CD2	O	Ground	50	GND	–	Ground

True IDE Mode Pin Assignments are contained in Table 3-3.

Table 3-3 True IDE Mode Pin Assignments

Pin No.	Signal Name	Pin Type	I/O Type	Pin No.	Signal Name	Pin Type	I/O Type
1	GND	–	Ground	26	-CD1	O	Ground
2	D03	I/O	I1Z,OZ3	27	D11	I/O	I1Z,OZ3
3	D04	I/O	I1Z,OZ3	28	D12	I/O	I1Z,OZ3
4	D05	I/O	I1Z,OZ3	29	D13	I/O	I1Z,OZ3
5	D06	I/O	I1Z,OZ3	30	D14	I/O	I1Z,OZ3
6	D07	I/O	I1Z,OZ3	31	D15	I/O	I1Z,OZ3
7	-CS0	I	I3Z	32	-CS1	I	I3Z
8	A10	I	I1Z	33	-VS1	O	Ground

Table 3-3 True IDE Mode Pin Assignments

Pin No.	Signal Name	Pin Type	I/O Type	Pin No.	Signal Name	Pin Type	I/O Type
9	-ATA SEL	I	I3U	34	-IORD	I	I3Z
10	A09	I	I1Z	35	-IOWR	I	I3Z
11	A08	I	I1Z	36	-WE	I	I3U
12	A07	I	I1Z	37	INTRQ	O	OZ1
13	VCC	–	Power	38	VCC	–	Power
14	A06	I	I1Z	39	-CSEL	I	I2U
15	A05	I	I1Z	40	-VS2	O	OPEN
16	A04	I	I1Z	41	RESET	I	I2Z
17	A03	I	I1Z	42	IORDY	O	OT1
18	A02	I	I1Z	43	-DMARQ	O	OZ1
19	A01	I	I1Z	44	-DMACK	I	I3U
20	A00	I	I1Z	45	-DASP	I/O	I1U,ON1
21	D00	I/O	I1Z,OZ3	46	-PDIAG	I/O	I1U,ON1
22	D01	I/O	I1Z,OZ3	47	D08	I/O	I1Z,OZ3
23	D02	I/O	I1Z,OZ3	48	D09	I/O	I1Z,OZ3
24	-IOCS16	O	ON3	49	D10	I/O	I1Z,OZ3
25	-CD2	O	Ground	50	GND	–	Ground

3.2 Electrical Description

The CompactFlash Memory Card Series is optimized for operation with hosts, which support the PCMCIA I/O interface standard conforming to the PC Card ATA specification. However, the card may also be configured to operate in systems that support only the memory interface standard. The CompactFlash card configuration is controlled using the standard PCMCIA configuration registers starting at address 200h in the Attribute Memory space of the card.

Table 3-4 describes the I/O signals. Signals whose source is the host are designated as inputs while signals that the card sources are outputs. SanDisk CompactFlash Memory Card logic levels conform to those specified in Section 3.3 of the PCMCIA Release 2.1 Specification.

NOTE: The sleep-to-write and sleep-to-read times are the time it takes the card to exit sleep mode when any command is issued by the host to when the card is reading or writing. CompactFlash Memory cards do not require a reset to exit sleep mode.

The SanDisk CompactFlash Memory Card signals are described in Table 3-4.

Table 3-4 Signal Description

Signal Name	Dir.	Pin	Description
A10-A0 (PC Card Memory Mode) (PC Card I/O Mode)	I	8, 10, 11, 12, 14, 15, 16, 17, 18, 19, 20	These address lines, along with the -REG signal, are used to select the following: I/O port address registers within the card, memory-mapped port address registers within the card, a byte in the card's information structure and its configuration control and status registers.
A2-A0 (True IDE Mode) A10-A3 (True IDE Mode)	I	18, 19, 20	In True IDE Mode only A[2:0] is used to select one of eight registers in the Task File. In True IDE Mode these remaining address lines should be grounded by the host.
BVD1 (PC Card Memory Mode)	I/O	46	This signal is asserted high as the BVD1 signal since a battery is not used with this product.
-STSCHG (PC Card I/O Mode)			The Status Changed signal is asserted low to alert the host to changes in the RDY/-BSY and Write Protect states, while the I/O interface is configured. Its use is controlled by the Card Config. and Status Register.
-PDIAG (True IDE Mode)			In the True IDE Mode, this input/output is the Pass Diagnostic signal in the master/slave handshake protocol.
BVD2 (PC Card Memory Mode)	I/O	45	This output line is always driven to a high state in Memory Mode since a battery is not required for this product.
-SPKR (PC Card I/O Mode)			This output line is always driven to a high state in I/O Mode since this product does not support the audio function.
-DASP (True IDE Mode)			In the True IDE Mode, this input/output is the Disk Active/Slave Present signal in the master/slave handshake protocol.
-CD1, -CD2 (PC Card Memory Mode) (PC Card I/O Mode) (True IDE Mode)	O	26, 25	These Card Detect pins are connected to ground on the card. They are used by the host to determine if the card is fully inserted into its socket.
-CE1, -CE2 (PC Card Memory Mode) (PC Card I/O Mode)	I	7, 32	The Card Enable input signals are used both to select the card and to indicate to the card whether a byte or a word operation is being performed. -CE2 always accesses the odd byte of the word. -CE1 accesses the even byte or the Odd byte of the word depending on A0 and -CE2. A multiplexing scheme based on A0, -CE1, -CE2 allows 8 bit hosts to access all data on D0-D7.
-CS0, -CS1 (True IDE Mode)			In True IDE Mode, -CS0 is the chip select for the Task File registers while -CS1 is used to select the Alternate Status Register and the Device Control Register.
-CSEL (PC Card Memory Mode) (PC Card I/O Mode)	I	39	This signal is not used for PC Card Memory Mode or PC Card I/O Mode.

Table 3-4 Signal Description

Signal Name	Dir.	Pin	Description
-CSEL (True IDE Mode)			This internally pulled up signal is used to configure this device as a master or slave when configured in the True IDE Mode. When this pin is grounded, this device is configured as a master. When the pin is open, this device is configured as a slave.
D15-D00 (PC Card Memory Mode) (PC Card I/O Mode)	I/O	31, 30, 29, 28, 27, 49, 48, 47, 6, 5, 4, 3, 2, 23, 22, 21	These lines carry the data, commands and status information between the host and the controller. D00 is the LSB of the Even Byte of the word. D08 is the LSB of the Odd Byte of the word.
D15-D00 (True IDE Mode)			In True IDE Mode, all Task File operations occur in byte mode on the low order bus D00-D07 while all data transfers are 16 bits using D00-D15.
GND (PC Card Memory Mode) (PC Card I/O Mode) (True IDE Mode)	--	1, 50	Ground.
-INPACK (PC Card Memory Mode)	O	43	This signal is not used in this mode.
-INPACK (PC Card I/O Mode)			The Input Acknowledge signal is asserted by the card when it is selected and responding to an I/O read cycle at the address that is on the address bus. This signal is used by the host to control the enable of any input data buffers between the card and the CPU.
-DMARQ (True IDE Mode)			This signal is used for DMA data transfers between host and device and is asserted by the device when it is ready to transfer data to or from the host. The direction of data transfer is controlled by DIOR- and DIOW-. This signal is used in a handshake manner with DMACK- (i.e., the device waits until the host asserts DMACK- before negating DMARQ, and reasserting DMARQ if there is more data to transfer).
-IORD (PC Card Memory Mode)	I	34	This signal is not used in this mode.
-IORD (PC Card I/O Mode) (True IDE Mode)			This is an I/O read strobe generated by the host. This signal gates I/O data onto the bus from the card when the card is configured to use the I/O interface.
-IOWR (PC Card Memory Mode)	I	35	This signal is not used in this mode.

Table 3-4 Signal Description

Signal Name	Dir.	Pin	Description
-IOWR (PC Card I/O Mode) (True IDE Mode)			The I/O write strobe pulse is used to clock I/O data on the Card Data bus into the card controller registers when the card is configured to use the I/O interface. The clocking will occur on the negative to positive edge of the signal (trailing edge).
-OE (PC Card Memory Mode)	I	9	This is an output enable strobe generated by the host interface. It is used to read data from the card in Memory Mode and to read the CIS and configuration registers.
-OE (PC Card I/O Mode)			In PC Card I/O Mode, this signal is used to read the CIS and configuration registers.
-ATA SEL (True IDE Mode)			To enable True IDE Mode this input should be grounded by the host.
RDY/-BSY (PC Card Memory Mode)	O	37	In Memory Mode, this signal is set high when the card is ready to accept a new data transfer operation and held low when the card is busy. The host memory card socket must provide a pull-up resistor. At power up and at reset, the RDY/-BSY signal is held low (busy) until the card has completed its power up or reset function. No access of any type should be made to the card during this time. The RDY/-BSY signal is held high (disabled from being busy) whenever the following condition is true: The card has been powered up with +RESET continuously disconnected or asserted.
-IREQ (PC Card I/O Mode)			I/O Operation—After the card has been configured for I/O operation, this signal is used as an interrupt request. This line is strobed low to generate a pulse mode interrupt or held low for a level mode interrupt.
INTRQ (True IDE Mode)			In True IDE Mode, this signal is the active high Interrupt Request to the host.
-REG (PC Card Memory Mode)	I	44	This Attribute Memory Select signal is used during memory cycles to distinguish between Common Memory and Register (Attribute) Memory accesses: High for common memory, and low for attribute memory.
-REG (PC Card I/O Mode)			The signal must also be active (low) during I/O cycles when the I/O address is on the bus.

Table 3-4 Signal Description

Signal Name	Dir.	Pin	Description
-DMACK (True IDE Mode)			This signal is used by the host in response to DMARQ to initiate DMA transfers. NOTE: This signal may be negated by the host to suspend the DMS transfer in process. For Multiword DMA transfers, the device may negate DMARQ with the t_L specified time once the DMACK- is asserted and reasserted again at a later time to resume DMA operation. Alternatively, if the device is able to continue the data transfer, the device may leave DMARQ asserted and wait for the host to reassert DMACK-.
RESET (PC Card Memory Mode) (PC Card I/O Mode)	I	41	When the pin is high, this signal resets the card. The card is reset only at power-up if this pin is left high or open from power-up. The card is also reset when the Soft Reset bit in the Card Configuration Option Register is set.
-RESET (True IDE Mode)			In the True IDE Mode this input pin is the active low hardware reset from the host.
V _{CC} (PC Card Memory Mode) (PC Card I/O Mode) (True IDE Mode)	--	13, 38	+5V, +3.3V power.
-VS1 -VS2 (PC Card Memory Mode) (PC Card I/O Mode) (True IDE Mode)	O	33, 40	Voltage Sense Signals. -VS1 is grounded so that the CompactFlash Card CIS can be read at 3.3 volts and VS2 is open and reserved by PCMCIA for a secondary voltage.
-WAIT (PC Card Memory Mode)	O	42	SanDisk CompactFlash Memory cards do not assert the -WAIT signal.
-WAIT (PC Card I/O Mode)			SanDisk CompactFlash Memory cards do not assert the -WAIT signal.
IORDY (True IDE Mode)			SanDisk CompactFlash Memory cards, except when in UDMA modes, do not assert an IORDY signal.
-WE (PC Card Memory Mode)	I	36	This is a signal driven by the host and used for strobing memory write data to the registers of the card when it is configured in the Memory Interface Mode. It is also used for writing the configuration registers.
-WE (PC Card I/O Mode)			In PC Card I/O Mode, this signal is used for writing the configuration registers.
-WE (True IDE Mode)			In True IDE Mode this input signal is not used and should be connected to VCC by the host.
WP (PC Card Memory Mode)	O	24	Memory Mode—The CompactFlash Card does not have a write-protect switch. This signal is held low after the completion of the reset initialization sequence.

Table 3-4 Signal Description

Signal Name	Dir.	Pin	Description
-IOIS16 (PC Card I/O Mode)			I/O Operation—When the card is configured for I/O Operation, pin 24 is used for the -I/O Selected is 16 Bit Port (-IOIS16) function. A low signal indicates that a 16-bit or odd-byte only operation can be performed at the addressed port.
-IOCS16 (True IDE Mode)			This output signal is asserted low when this device is expecting a word data transfer cycle.

3.3 Electrical Specification

All D.C. Characteristics for the CompactFlash Memory Card Series are defined as follows:

Typical conditions unless otherwise stated:

$$V_{CC} = 5V \pm 10\%$$

$$V_{CC} = 3.3V \pm 5\%$$

$$T_a = 0^\circ C \text{ to } 60^\circ C$$

Absolute Maximum conditions:

$$V_{CC} = -0.3V \text{ min. to } 6.5V \text{ max.}$$

$$V^* = 0.5V \text{ min. to } V_{CC} + 0.5V \text{ max.}$$

*Voltage on any pin except V_{CC} with respect to GND.

3.3.1 Input Leakage Control and Input Characteristics

In Table 3-5, "x" refers to the characteristics described in Table 3-6. For example—"I1U" indicates a pull-up resistor with a Type 1 input characteristic.

Table 3-5 Input Leakage Control

Type	Parameter	Symbol	Conditions	MIN	MAX	Unit
IxZ	Input Leakage Current	IL	$V_{ih}=V_{CC}/V_{il}=GND$	-1	1	μA
IxU	Pull Up Resistor	RPU1	$V_{CC}=5.0V$	50k	500k	Ohm
IxD	Pull Down Resistor	RPD1	$V_{CC}=5.0V$	50k	500k	Ohm

NOTE: The minimum pull-up resistor leakage current meets the PCMCIA specification of 10k ohms but is intentionally higher in the CompactFlash Memory Card Series product to reduce power use.

Table 3-6 defines the input characteristics of the parameters in Table 3-5.

Table 3-6 Input Characteristics

Type	Parameter	Symbol	Min.	Typ.	Max.	Min.	Typ.	Max.	Unit
			VCC = 3.3V			VCC = 5.0V			
1	Input Voltage	Vih	2.4			4.0			V
	CMOS	Vil			0.6			0.8	
2	Input Voltage	Vih	1.5			2.0			V
	CMOS	Vil			0.6			0.8	
3	Input Voltage	Vth		1.8			2.8		V
	CMOS Schmitt Trigger	Vtl		1.0			2.0		

3.3.2 Output Drive Type and Characteristics

In Table 3-7 "x" refers to the characteristics described in Table 3-8. For example—"OT3" refers to Totem-pole output with a Type 3 output drive characteristic.

Table 3-7 Output Drive Type

Type	Output Type	Valid Conditions
OTx	Totem-pole	Ioh & Iol
OZx	Tri-state N-P Channel	Ioh & Iol
OPx	P-Channel Only	Ioh only
ONx	N-Channel Only	Iol Only

Table 3-8 Output Drive Characteristics

Type	Parameter	Symbol	Conditions	Min.	Typ.	Max.	Unit
1	Output Voltage	Voh	Ioh= -4 mA	V _{CC}			V
		Vol	Iol= 4 mA	-0.8V		Gnd +0.4V	
2	Output Voltage	Voh	Ioh= -8 mA	V _{CC}			V
		Vol	Iol= 8 mA	-0.8V		Gnd +0.4V	
3	Output Voltage	Voh	Ioh= -8 mA	V _{CC}			V
		Vol	Iol= 8 mA	-0.8V		Gnd +0.4V	
X	Tri-State Leakage Current	Ioz	Vol = Gnd Voh = V _{CC}	-10		10	uA

3.3.3 Power Up/Power Down Timing

The timing specification in Table 3-9 was defined to permit peripheral cards to perform power-up initialization.

Table 3-9 Power Up/Power Down Timing

Item	Symbol	Condition	Value		
			Min.	Max.	Unit
CE Signal Level ^a	Vi (CE)	$0V < V_{CC} < 2.0V$	0	V_{iMAX}	V
		$2.0V < V_{CC} < V_{IH}$	$< V_{CC} - 0.1$	V_{iMAX}	
		$< V_{IH} < V_{CC}$	V_{IH}	V_{iMAX}	
CE Setup Time	$T_{SU}(V_{CC})$	---	20	---	ms
CE Setup Time	$T_{SU}(\text{RESET})$	---	20	---	ms
CE Recover Time	$T_{REC}(V_{CC})$	---	0.001	---	ms
V_{CC} Rising Time ^b	t_{pr}	10%-->90% of $(V_{CC} + 5\%)$	0.1	300	ms
V_{CC} Falling Time ^b	t_{pf}	90% of $(V_{CC} + 5\%)$ -->10%	3.0	300	ms
Reset Width	$T_W(\text{RESET})$	---	10	---	μs
	$T_h(\text{Hi-z Reset})$	---	1	---	ms
	$T_s(\text{Hi-z Reset})$	---	0	---	ms

- a. V_{iMAX} means Absolute Maximum Voltage for Input in the period of $0V < V_{CC} < 2.0V$, $V_i(\text{CE})$ is only $0V \sim V_{iMAX}$.
- b. The t_{pr} and t_{pf} are defined as "linear waveform" in the period of 10% to 90% or vice-versa. Even if the waveform is not "linear waveform," its rising and falling time must be met by this specification.

Figure 3-1 Power Up/Power Down Timing for Systems supporting RESET

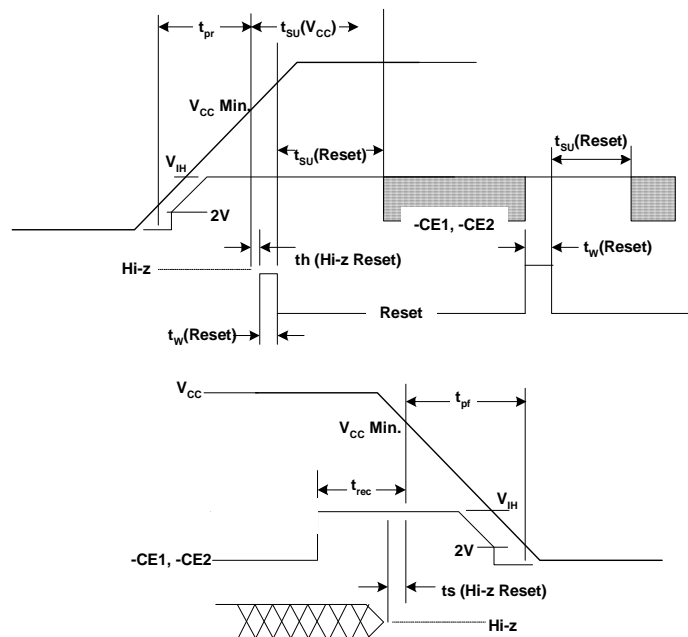
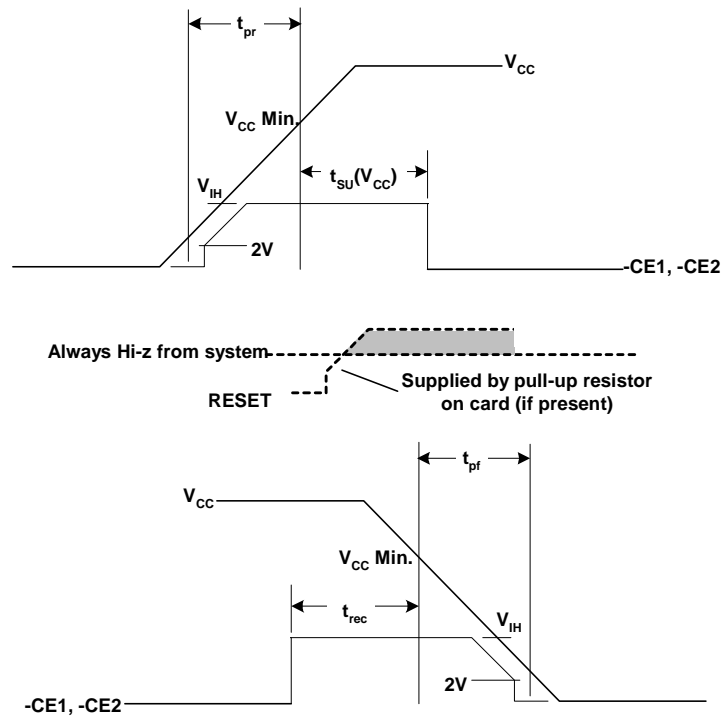


Figure 3-2 Power Up/Power Down Timing for Systems not supporting RESET



3.3.4 Common Memory Read Timing

Table 3-10 contains common memory read timing specifications for all types of memory.

NOTE: All timings measured at the CompactFlash Memory Card. Skews and delays from the system driver/receiver to the card must be accounted for by the system.

Table 3-10 Common Memory Read Timing Specification

Speed Version Item	Symbol	IEEE Symbol	100 ns	
			Min.	Max.
Read Cycle Time	$t_c (R)$	t_{AVAV}	100	---
Address Access Time ^a	$t_a (A)$	t_{AVQV}	---	100
Card Enable Access Time	$t_a (CE)$	t_{ELQV}	---	100
Output Enable Access Time	$t_a (OE)$	t_{GLQV}	---	50
Output Disable Time from -OE	$t_{dis} (OE)$	t_{GHQZ}	---	50
Output Disable Time from -CE	$t_{dis} (CE)$	t_{EHQZ}	---	50
Output Enable Time from -CE	$t_{en} (CE)$	t_{ELQNZ}	5	---
Output Enable Time from -OE	$t_{en} (OE)$	t_{GLQNZ}	5	---
Data Valid from Add Change ^a	$t_v (A)$	t_{AXQX}	0	---
Address Setup Time	$t_{su} (A)$	t_{AVGL}	10	---

Table 3-10 Common Memory Read Timing Specification

Speed Version Item	Symbol	IEEE Symbol	100 ns	
			Min.	Max.
Address Hold Time	t_h (A)	t_{GHAX}	15	---
Card Enable Setup Time	t_{su} (CE)	t_{ELGL}	0	---
Card Enable Hold Time	t_h (CE)	t_{GHEH}	15	---

a. The -REG signal timing is identical to address signal timing

3.3.5 Common and Attribute Memory Write Timing

The write timing specifications for Common and Attribute memory are the same.

All timings measured at the CompactFlash Memory Card. Skews and delays from the system driver/receiver to the card must be accounted for by the system

NOTE: SanDisk CompactFlash Memory cards do not assert the -WAIT signal.

Table 3-11 Common and Attribute Memory Write Timing Specification

Speed Version	Symbol	IEEE Symbol	100 ns	
			Min.	Max.
Write Cycle Time	t_c (W)	t_{AVAV}	100	---
Write Pulse Width	t_w (WE)	t_{WLWH}	60	---
Address Setup Time ^a	t_{su} (A)	t_{AVWL}	10	---
Address Setup Time for -WE ^a	t_{su} (A-WEH)	t_{AVWH}	70	---
Card Enable Setup Time for -WE	t_{su} (CE-WEH)	t_{ELWH}	70	---
Data Setup Time form -WE	t_{su} (D-WEH)	t_{DVWH}	40	---
Data Hold Time	t_h (D)	t_{WMDX}	15	---
Write Recover Time	t_{rec} (WE)	t_{WMAX}	15	---
Output Disable Time from -WE	t_{dis} (WE)	t_{WLQZ}	---	50
Output Disable Time from -OE	t_{dis} (OE)	t_{GHQZ}	---	50
Output Enable Time from -WE	t_{en} (WE)	t_{WHQNZ}	5	---
Output Enable Time from -OE	t_{en} (OE)	t_{GLQNZ}	5	---
Output Enable Setup from -WE	t_{su} (OE-WE)	t_{GHWL}	10	---
Output Enable Hold from -WE	t_h (OE-WE)	t_{WHGL}	10	---
Card Enable Setup Time	t_{su} (CE)	t_{ELWL}	0	---
Card Enable Hold Time	t_h (CE)	t_{GHEH}	15	---

a. The -REG signal timing is identical to address signal timing.

3.3.6 Attribute Memory Read Timing Specification

Table 3-12 contains common memory write timing specifications for all types of memory.

NOTE: SanDisk CompactFlash Memory cards do not assert the -WAIT signal.

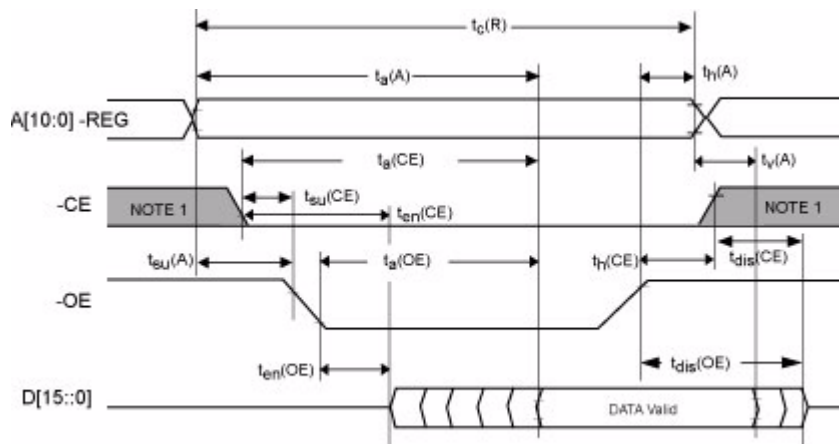
Table 3-12 Attribute Memory Read Timing Specification

Speed Version Item	Symbol	IEEE Symbol	300 ns	
			Min.	Max.
Read Cycle Time	t_c (R)	t_{AVAV}	300	---
Address Access Time ^a	t_a (A)	t_{AVQV}	---	300
Card Enable Access Time	t_a (CE)	t_{ELQV}	---	300
Output Enable Access Time	t_a (OE)	t_{GLQV}	---	150
Output Disable Time from -OE	t_{dis} (OE)	t_{GHQZ}	---	100
Output Enable Time from -OE	t_{en} (OE)	t_{GLQNZ}	5	---
Data Valid from Add Change ^a	t_v (A)	t_{AXQX}	0	---
Address Setup Time	t_{su} (A)	t_{AVGL}	30	---
Address Hold Time	t_h (A)	t_{GHAX}	20	---
Card Enable Setup Time	t_{su} (CE)	t_{ELGL}	0	---
Card Enable Hold Time	t_h (CE)	t_{GHEH}	20	---

a. The -REG signal timing is identical to address signal timing

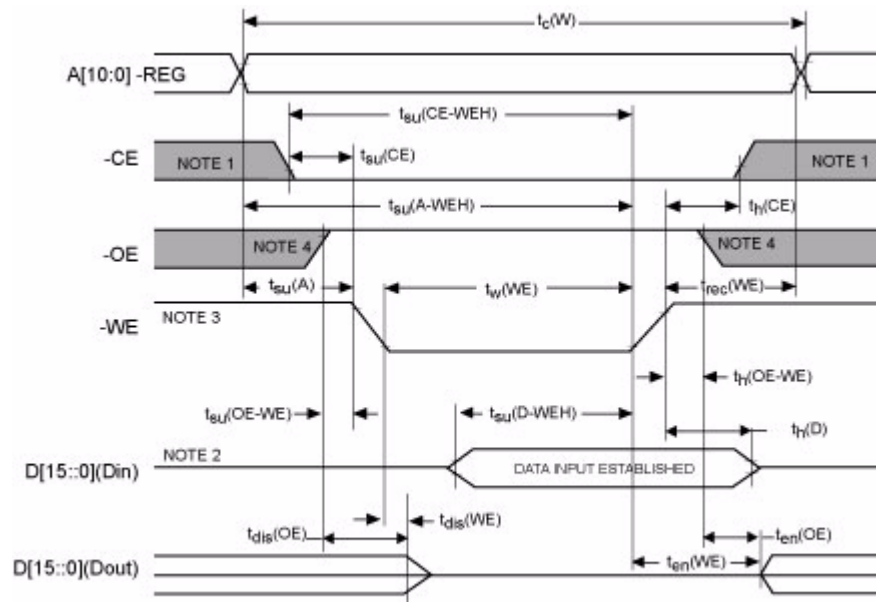
3.3.7 Memory Timing Diagrams

Figure 3-3 Common and Attribute Memory Read Timing Diagram



NOTE 1: Shaded areas may be high or low.

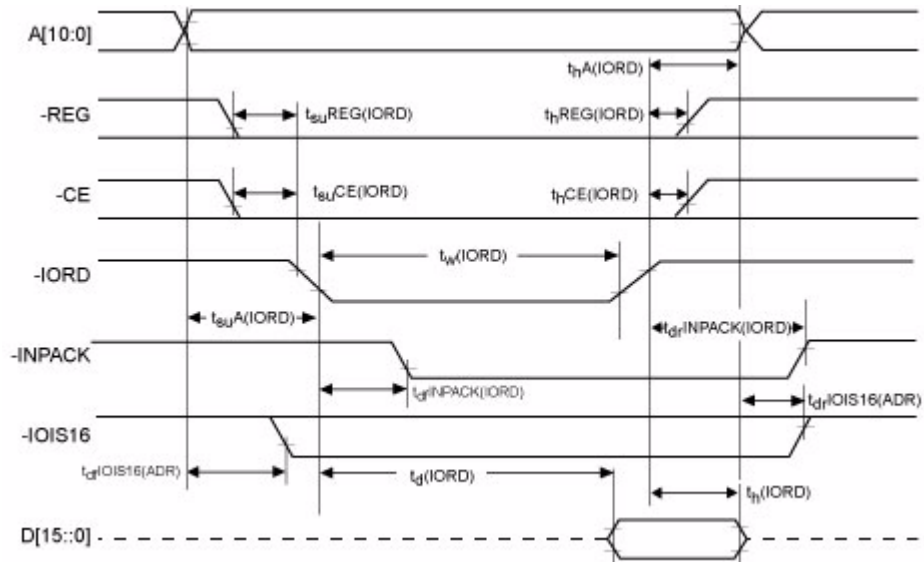
Figure 3-4 Common and Attribute Memory Write Timing Diagram



- NOTE 1:** Shaded areas may be high or low.
- NOTE 2:** When the data I/O pins are in the output state, no signals shall be applied to the data pins (D[15:0]) by the host system
- NOTE 3:** May be high or low for write timing, but restrictions on -OE from previous figures apply.
- NOTE 4:** SanDisk CompactFlash Memory Cards do not assert the -WAIT signal.

3.3.8 I/O Read (Input) Timing Specification

Figure 3-5 I/O Read Timing Diagram



NOTE 1: All timings are measured at the CompactFlash Memory Card.

NOTE 2: Skews and delays from the host system driver/receiver to the card must be accounted for by the system design.

NOTE 3: D[15:0] signifies data provided by the card to the host system.

Table 3-13 contains the read input timing specifications.

NOTE: SanDisk CompactFlash Memory cards do not assert a -WAIT signal.

Table 3-13 I/O Read (Input) Timing Specification

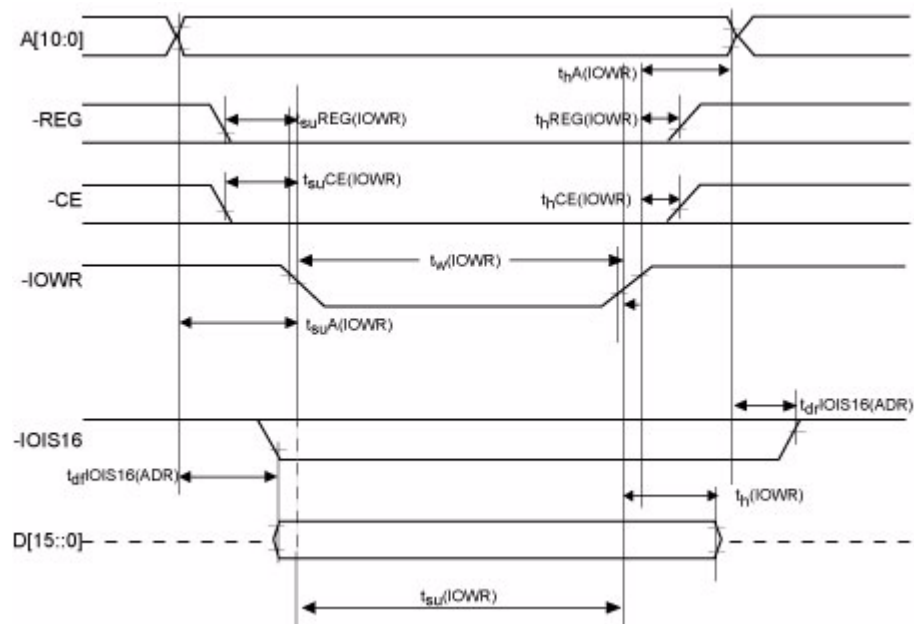
Item	Symbol	IEEE Symbol	Min. (ns)	Max. (ns)
Data Delay after -IORD	$t_d(IORD)$	t_{GLQV}	---	100
Data Hold following -IORD	$t_h(IORD)$	t_{GHQX}	0	---
-IORD Width Time	$t_w(IORD)$	t_{GLIGH}	165	---
Address Setup before -IORD	$t_{suA}(IORD)$	t_{AVIGL}	70	---
Address Hold following -IORD	$t_{hA}(IORD)$	t_{GHAX}	20	---
-CE Setup before -IORD	$t_{suCE}(IORD)$	t_{ELIGL}	5	---
-CE Hold following -IORD	$t_{hCE}(IORD)$	t_{GHEH}	20	---
-REG Setup before -IORD	$t_{suREG}(IORD)$	t_{RGLIGL}	5	---
-REG Hold following -IORD	$t_{hREG}(IORD)$	t_{GHRGH}	0	---
-INPACK Delay falling from -IORD	$t_{drINPACK}(IORD)$	t_{GLIAL}	0	45 ^a
-INPACK Delay rising from -IORD	$t_{drINPACK}(IORD)$	t_{GHIAH}	---	45 ^a

Table 3-13 I/O Read (Input) Timing Specification

Item	Symbol	IEEE Symbol	Min. (ns)	Max. (ns)
-IOIS16 Delay falling from Address	$t_{df}IOIS16(ADR)$	t_{AVISL}	---	35 ^a
-IOIS16 Delay rising from Address	$t_{dr}IOIS16(ADR)$	t_{AVISH}	---	35 ^a

a. The maximum load on -INPACK and -IOIS16 is 1 LSTTL with 50 pF total load.

3.3.9 I/O Write (Output) Timing Specification

Figure 3-6 I/O Write Timing Diagram

NOTE 1: All timings are measured at the CompactFlash Memory Card.

NOTE 2: Skews and delays from the host system driver/receiver to the CompactFlash Memory Card must be accounted for by the system design.

NOTE 3: D[15:0] signifies data provided by the host system to the CompactFlash Memory Card.

Table 3-14 contains the specification information related to the I/O Write Timing Diagram.

Table 3-14 I/O Write Timing Specification

Item	Symbol	IEEE Symbol	Min. (ns)	Max. (ns)
Data Setup before -IOWR	$t_{su}(IOWR)$	t_{DVIWL}	60	---
Data Hold following -IOWR	$t_h(IOWR)$	t_{WHDX}	30	---
-IOWR Width Time	$t_w(IOWR)$	t_{WLIWH}	165	---
Address Setup before -IOWR	$t_{su}A(IOWR)$	t_{AVIWL}	70	---
Address Hold following -IOWR	$t_hA(IOWR)$	t_{WHAX}	20	---
-CE Setup before -IOWR	$t_{su}CE(IOWR)$	t_{ELIWL}	5	---
-CE Hold following -IOWR	$t_hCE(IOWR)$	t_{WHEH}	20	---
-REG Setup before -IOWR	$t_{su}REG(IOWR)$	t_{RGLIWL}	5	---
-REG Hold following -IOWR	$t_hREG(IOWR)$	t_{WHRGH}	0	---
-IOIS16 Delay falling from Address	$t_{df}IOIS16(ADR)$	t_{AVISL}	---	35 ^a
-IOIS16 Delay rising from -IORD	$t_{dr}IOIS16(ADR)$	t_{AVISH}	---	35
-IOIS16 Delay falling from Address	$t_{df}IOIS16(ADR)$	t_{AVISL}	---	35
-IOIS16 Delay rising from Address	$t_{dr}IOIS16(ADR)$	t_{AVISH}	---	35

a. The maximum load on -IOIS16 is 1 LSTTL with 50 pF total load.

3.3.10 True IDE Mode

The following sections provide valuable information for the True IDE mode.

De-skewing. The host will provide cable de-skewing for all signals originating from the device. The device will provide cable de-skewing for all signals originating at the host.

All timing values and diagrams are shown and measured at the connector of the selected device.

Transfer Timing. The minimum cycle time supported by devices in PIO Mode 3, 4 and Multiword DMA Mode 1, 2 respectively will always be greater than or equal to the minimum cycle time defined by the associated mode (e.g., a device supporting PIO Mode 4 timing will not report a value less than 120 ns. The minimum cycle time defined for PIO mode 4 timings).

- **Register Transfers**

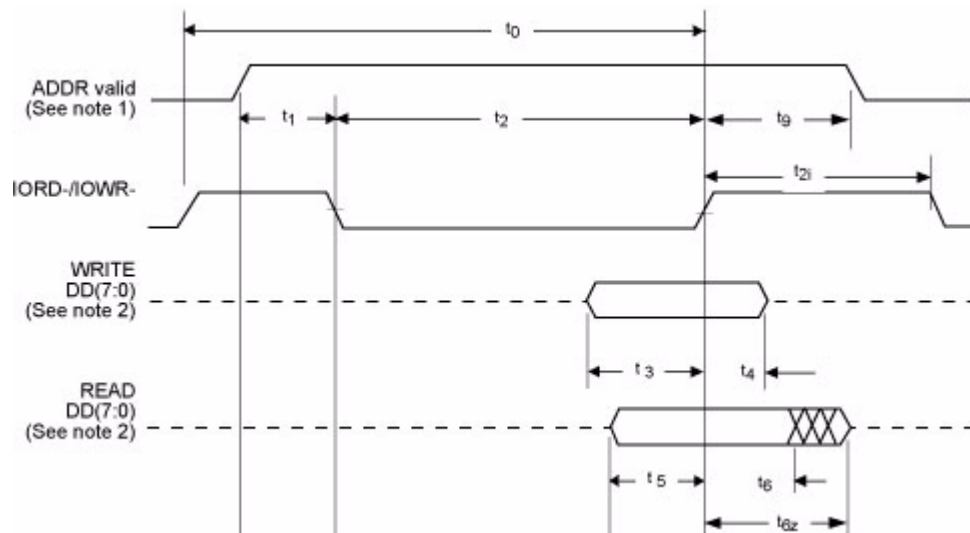
Figure 3-7 defines the relationships between the interface signals for register transfers.

For PIO Modes 3 and above, the minimum value of t_0 is specified by Word 68 in the IDENTIFY DEVICE parameter list. Table 3-15 defines the minimum value that will be placed in Word 68.

In Figure 3-7, all signals shown with the asserted condition facing the top of the page. The negated condition is shown toward the bottom of the page relative to the asserted condition.

NOTE: SanDisk CompactFlash Memory cards do not assert an -IORDY signal.

Figure 3-7 Register Transfer to/from Device



NOTE 1: Device address consists of signals -CS0, -CS1 and -DA(2:0).

NOTE 2: Data consists of DD(7:0).

Table 3-15 Register Transfer to/from Device

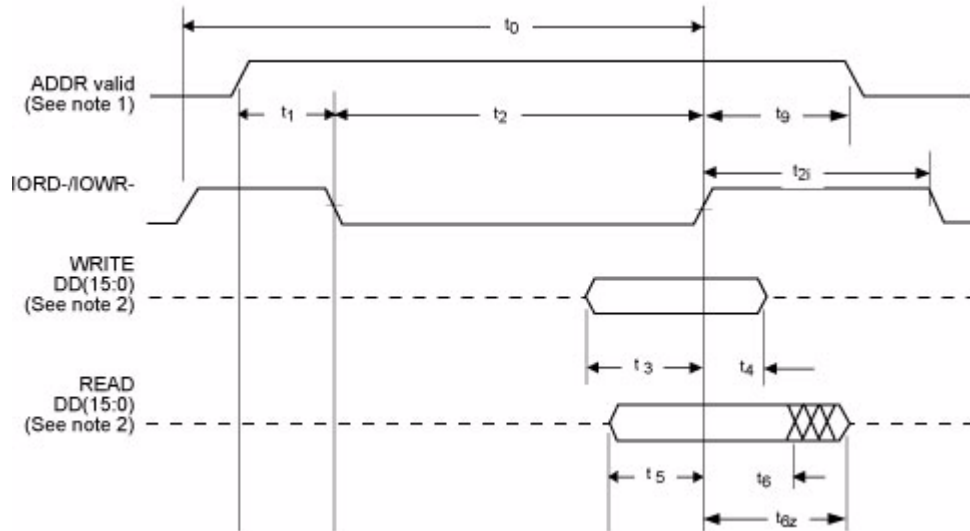
PIO Timing Parameters		Mode 4 (ns)
t_0^a	Cycle time (min.)	120
t_1	Address valid to IORD-/IOWR- setup (min.)	25
t_2^a	IORD-/IOWR- pulse width 8-bit (min.)	70
t_{2i}^a	IORD-/IOWR- recovery time (min.)	25
t_3	IOWR- data setup (min.)	20
t_4	IOWR- data hold (min.)	10
t_5	IORD- data setup (min.)	20
t_6	IORD- data hold (min.)	5
t_{6z}^b	IORD- data tri-state (max.)	30
t_9	IORD-/IOWR- to address valid hold (min.)	10

- a. t_0 is the minimum total cycle time, t_2 is the minimum command active time, and t_{2i} is the minimum command recovery time or command inactive time. The actual cycle time equals the sum of the actual command active time and the actual command inactive time. The three timing requirements of t_0 , t_2 , and t_{2i} shall be met. The minimum total cycle time requirements are greater than the sum of t_2 and t_{2i} . This means a host implementation may lengthen either or both t_2 or t_{2i} to ensure that t_0 is equal to or greater than the value reported in the device's IDENTIFY DEVICE data. A device implementation shall support any legal host implementation.
- b. This parameter specifies the time from the negation edge of /IORD to the time that the data bus is no longer driven by the device (tri-state).

- **PIO Data Transfers**

Figure 3-8 defines the relationships between the interface signals for PIO data transfers. For PIO Modes 3 and above, the minimum value of t_0 is specified by Word 68 in the IDENTIFY DEVICE parameter list. Table 3-16 defines the minimum value that will be placed in Word 68.

Figure 3-8 PIO Data Transfer to/from Device



NOTE 1: Device address consists of signals -CS0, -CS1 and -DA(2:0).

NOTE 2: Data consists of DD(15:0).

The PIO data transfer parameters are defined in Table 3-16.

NOTE: SanDisk CompactFlash Memory cards do not assert an -IORDY signal.

Table 3-16 PIO Data Transfer to/from Device

PIO Timing Parameters		Mode 0 (ns)	Mode 1 (ns)	Mode 2 (ns)	Mode 3 (ns)	Mode 4 (ns)
t_0^a	Cycle time (min.)	600	383	240	180	120
t_1	Address valid to IORD-/IOWR- setup (min.)	70	50	30	30	25
t_2^a	IORD-/IOWR- pulse width 16-bit (min.)	165	125	100	80	70
t_{2ia}	IORD-/IOWR- recovery time (min.)	---	---	---	70	25
t_3	IOWR- data setup (min.)	60	45	30	30	20
t_4	IOWR- data hold (min.)	30	20	15	10	10
t_5	IORD- data setup (min.)	50	35	20	20	20
t_6	IORD- data hold (min.)	5	5	5	5	5
t_{6z}^b	IORD- data tri-state (max.)	30	30	30	30	30
t_9	IORD-/IOWR- to address valid hold (min.)	20	15	10	10	10

- a. t_0 is the minimum total cycle time, t_2 is the minimum command active time, and t_{2i} is the minimum command recovery time or command inactive time. The actual cycle time equals the sum of the actual command active time and the actual command inactive time. The three timing requirements of t_0 , t_2 , and t_{2i} shall be met. The minimum total cycle time requirements are greater than the sum of t_2 and t_{2i} . This means a host implementation may lengthen either or both t_2 or t_{2i} to ensure that t_0 is equal to or greater than the value reported in the devices IDENTIFY DEVICE data. A device implementation shall support any legal host implementation.
- b. This parameter specifies the time from the negation edge of /IORD to the time that the data bus is no longer driven by the device (tri-state).

3.4 Card Configuration

SanDisk CompactFlash Memory cards are identified by appropriate information in the Card Information Structure (CIS). The configuration registers are used to coordinate the I/O spaces and the interrupt level of cards that are located in the system.

In addition, these registers provide a method for accessing status information about the card that may be used to arbitrate between multiple interrupt sources on the same interrupt level or to replace status information that appears on dedicated pins in memory cards that have alternate use in I/O cards.

Table 3-17 Registers and Memory Space Decoding

-CE2	-CE1	-REG	-OE	-WE	A10	A9	A8-A4	A3	A2	A1	A0	Selected Space
1	1	X	X	X	X	X	XX	X	X	X	X	Standby
X	0	0	0	1	X	1	XX	X	X	X	0	Configuration Registers Read
1	0	1	0	1	X	X	XX	X	X	X	X	Common Memory Read (8-bit D7-D0)
0	1	1	0	1	X	X	XX	X	X	X	X	Common Memory Read (8-bit D15-D8)
0	0	1	0	1	X	X	XX	X	X	X	0	Common Memory Read (16-bit D15-D0)
X	0	0	1	0	X	1	XX	X	X	X	0	Configuration Registers Write
1	0	1	1	0	X	X	XX	X	X	X	X	Common Memory Write (8-bit D7-D0)
0	1	1	1	0	X	X	XX	X	X	X	X	Common Memory Write (8-bit D15-D8)
0	0	1	1	0	X	X	XX	X	X	X	0	Common Memory Write (16-bit D15-D0)
X	0	0	0	1	0	0	XX	X	X	X	0	Card Info Structure Read
1	0	0	1	0	0	0	XX	X	X	X	0	Invalid Access (CIS Write)
1	0	0	0	1	X	X	XX	X	X	X	1	Invalid Access (Odd Attribute Read)
1	0	0	1	0	X	X	XX	X	X	X	1	Invalid Access (Odd Attribute Write)
0	1	0	0	1	X	X	XX	X	X	X	X	Invalid Access (Odd Attribute Read)
0	1	0	1	0	X	X	XX	X	X	X	X	Invalid Access (Odd Attribute Write)

NOTE: The location of the card configuration registers should always be read from the CIS since these locations may vary in future products. No writes should be performed to the card attribute memory except to the card configuration register addresses. All other attribute memory locations are reserved.

Decoding for the configuration registers is defined in Table 3-18.

Table 3-18 Configuration Registers Decoding

-CE2	-CE1	-REG	-OE	-WE	A10	A9	A8-A4	A3	A2	A1	A0	Selected Register
X	0	0	0	1	0	1	00	0	0	0	0	Configuration Option Read
X	0	0	1	0	0	1	00	0	0	0	0	Configuration Option Write
X	0	0	0	1	0	1	00	0	0	1	0	Card Status Read
X	0	0	1	0	0	1	00	0	0	1	0	Card Status Write
X	0	0	0	1	0	1	00	0	1	0	0	Pin Replacement Read
X	0	0	1	0	0	1	00	0	1	0	0	Pin Replacement Write
X	0	0	0	1	0	1	00	0	1	1	0	Socket and Copy Read
X	0	0	1	0	0	1	00	0	1	1	0	Socket and Copy Write

3.4.1 Attribute Memory Function

Attribute Memory is a space where a CompactFlash Memory Card identification and configuration information is stored, and is limited to 8-bit wide accesses only at even addresses. The card configuration registers are also located there.

For the Attribute Memory Read function, signals -REG and -OE must be active and -WE inactive during the cycle. As in the Main Memory Read functions, the signals -CE1 and -CE2 control the even-byte and odd-byte address, but only the even-byte data is valid during the Attribute Memory access. Refer to Table 3-19 for signal states and bus validity for the Attribute Memory function.

NOTE: The -CE signal or both the -OE and -WE signal must be de-asserted between consecutive cycle operations.

Table 3-19 Attribute Memory Function

Function Mode	-REG	-CE2	-CE1	A9	A0	-OE	-WE	D15-D8	D7-D0
Standby	X	H	H	X	X	X	X	High Z	High Z
Read Byte Access CIS ROM (8 bits)	L	H	L	L	L	L	H	High Z	Even Byte
Write Byte Access CIS (8 bits) (Invalid)	L	H	L	L	L	H	L	Don't Care	Even Byte
Read Byte Access Configuration (8 bits)	L	H	L	H	L	L	H	High Z	Even Byte
Write Byte Access Configuration (8 bits)	L	H	L	H	L	H	L	Don't Care	Even Byte
Read Word Access CIS (16 bits)	L	L	L	L	X	L	H	Not Valid	Even Byte
Write Word Access CIS (16 bits) (Invalid)	L	L	L	L	X	H	L	Don't Care	Even Byte
Read Word Access Configuration (16 bits)	L	L	L	H	X	L	H	Not Valid	Even Byte
Write Word Access Configuration (16 bits)	L	L	L	H	X	H	L	Don't Care	Even Byte

3.4.2 Configuration Option Register (Address 200h in Attribute Memory)

The Configuration Option Register is used to configure the card's interface, address decoding and interrupt and to issue a soft reset to the CompactFlash Memory Card.

Operation	D7	D6	D5	D4	D3	D2	D1	D0
R/W	SRESET	LevIREQ	Conf5	Conf4	Conf3	Conf2	Conf1	Conf0

Bit	Name	Description
D7	SRESET	Setting this bit to one (1), waiting the minimum reset width time and returning to zero (0) places the card in the Reset state. Setting this bit to "1" is equivalent to assertion of the +RESET signal except that the SRESET bit is not cleared. Returning this bit to "0" leaves the card in the same un-configured, Reset state as following power-up and hardware reset. This bit is set to "0" by power-up and hardware reset. Using the PCMCIA Soft Reset is considered a hard Reset by the ATA Commands. Contrast with Soft Reset in the Device Control Register.
D6	LevIREQ	This bit is set to "1" when Level Mode Interrupt is selected, and "0" when Pulse Mode is selected. Set to "0" by Reset.
D5-D0	Conf 5–Conf0	Configuration Index. Set to "0" by reset. It's used to select operation mode of the card as shown below. NOTE: Conf5 and Conf4 are reserved and must be written as "0".

Table 3-20 Card Configurations

Conf5	Conf4	Conf3	Conf2	Conf1	Conf0	Disk Card Mode
0	0	0	0	0	0	Memory Mapped
0	0	0	0	0	1	I/O Mapped; any 16-byte system decoded boundary
0	0	0	0	1	0	I/O Mapped; 1F0-1F7/3F6-3F7
0	0	0	0	1	1	I/O Mapped; 170-177/376-377

3.4.3 Card Configuration and Status Register (Address 202h in Attribute Memory)

The Card Configuration and Status Register contain information about the card's condition.

Operation	D7	D6	D5	D4	D3	D2	D1	D0
Read	Changed	SigChg	IOis8	0	0	PwrDwn	Int	0
Write	0	SigChg	IOis8	0	0	PwrDwn	0	0

Card Configuration and Status Register (con't)

Bit	Name	Description
D7	Changed	Indicates that one or both of the Pin Replacement Register CRdy, or CWProt bits are set to "1". When the Changed bit is set, -STSCHG Pin 46 is held low if the SigChg bit is a "1" and the card is configured for the I/O interface.
D6	SigChg	This bit is set and reset by the host to enable and disable a state-change "signal" from the Status Register, the Changed bit control pin 46 the Changed Status signal. If no state change signal is desired, this bit should be set to zero "0" and pin 46 (-STSCHG) signal will be held high while the card is configured for I/O
D5	IOis8	The host sets this bit to a one "1" if the card is to be configured in an 8-bit I/O mode. The card is always configured for both 8- and 16-bit I/O, so this bit is ignored.
D2	PwrDwn	This bit indicates whether the host requests the card to be in the power saving or active mode. When the bit is "1", the card enters a power down mode. When "0", the host is requesting the card to enter the active mode. The PCMCIA Rdy/-Bsy value becomes BUSY when this bit is changed. Rdy/-Bsy will not become Ready until the power state requested has been entered. The card automatically powers down when it is idle and powers back up when it receives a command
D1	Int	This bit represents the internal state of the interrupt request. This value is available whether or not I/O interface has been configured. This signal remains true until the condition that caused the interrupt request has been serviced. If interrupts are disabled by the -IEN bit in the Device Control Register, this bit is a "0".

3.4.4 Pin Replacement Register (Address 204h in Attribute Memory)

The Pin Replacement Register information is described below.

Operation	D7	D6	D5	D4	D3	D2	D1	D0
Read	0	0	CRdy/-Bsy	CWProt	1	1	RRdy/-Bsy	RWProt
Write	0	0	CRdy/-Bsy	CWProt	0	0	MRdy/-Bsy	MWProt

Bit	Name	Description
D5	CRdy/-Bsy	This bit is set to "1" when the bit RRdy/-Bsy changes state. This bit can also be written by the host.
D4	CWProt	This bit is set to "1" when the RWprot changes state. This bit may also be written by the host.
D1	RRdy/-Bsy	This bit is used to determine the internal state of the Rdy/-Bsy signal. This bit may be used to determine the state of the Ready/-Busy as this pin has been reallocated for use as Interrupt Request on an I/O card. When written, this bit acts as a mask for writing the corresponding bit CRdy/-Bsy.
	MRdy/-Bsy	This bit acts as a mask for writing the corresponding bit CRdy/-Bsy.
D0	RWProt	This bit is always "0" because the card does not have a write-protect switch. When written, this bit acts as a mask for writing the corresponding bit CWProt.
	MWProt	This bit when written acts as a mask for writing the corresponding bit CWProt.

Pin replacement changed bit/mask values are contained in Table 3-21.

Table 3-21 Pin Replacement Changed Bit/Mask Bit Values

Initial Value of (C) Status	Written by Host		Final "C" Bit	Comments
	"C" Bit	"M" Bit		
0	X	0	0	Unchanged
1	X	0	1	Unchanged
X	0	1	0	Cleared by host
X	1	1	1	Set by host

3.4.5 Socket and Copy Register (Address 206h in Attribute Memory)

This register contains additional configuration information. This register is always written by the system before writing the card's Configuration Index Register.

Operation	D7	D6	D5	D4	D3	D2	D1	D0
Read	Reserved	0	0	Drive#	0	0	0	0
Write	0	0	0	Drive# (0)	X	X	X	X

Bit	Name	Description
D7	Reserved	This bit is reserved for future standardization. This bit must be set to "0" by the software when the register is written.
D4	Drive#	This bit indicates the drive number of the card if twin card configuration is supported.
D3-D0 (write)	X	The socket number is ignored by the card.

3.5 I/O Transfer Function

The following sections provide valuable information for the I/O Transfer function.

3.5.1 Common Memory Function

The Common Memory transfer to or from SanDisk CompactFlash memory cards can be either 8 or 16 bits. The card permits both 8- and 16-bit accesses to all of its Common Memory addresses.

Table 3-22 Common Memory Function

Function Code	-REG	-CE2	-CE1	A0	-OE	-WE	D15-D8	D7-D0
Standby	X	H	H	X	X	X	High Z	High Z
Byte Read Access (8 bits)	H	H	L	L	L	H	High Z	Even Byte
	H	H	L	H	L	H	High Z	Odd Byte
Byte Write Access (8 bits)	H	H	L	L	H	L	Don't Care	Even Byte
	H	H	L	H	H	L	Don't Care	Odd Byte

Table 3-22 Common Memory Function

Function Code	-REG	-CE2	-CE1	A0	-OE	-WE	D15-D8	D7-D0
Word Read Access (16 bits)	H	L	L	X	L	H	Odd Byte	Even Byte
Word Write Access (16 bits)	H	L	L	X	H	L	Odd Byte	Even Byte
Odd Byte Read Only (8 bits)	H	L	H	X	L	H	Odd Byte	High Z
Odd Byte Write Only (8 bits)	H	L	H	X	H	L	Odd Byte	Don't Care

3.6 True IDE Mode I/O Transfer Function

This section contains valuable information on the True IDE Mode I/O Transfer function.

3.6.1 True IDE Mode I/O Function

SanDisk CompactFlash Memory cards can be configured in a True IDE Mode of operation. Cards are configured in this mode only when the -OE input signal is grounded by the host when power is applied to the cards. In this True IDE Mode, the PCMCIA protocol and configuration are disabled and only I/O operations to the Task File and Data Register are allowed. In this mode, no Memory or Attribute registers are accessible to the host. CompactFlash cards permit 8-bit data accesses if the user issues a Set Feature Command to put the device in 8-bit Mode.

NOTE: Removing and reinserting the card while the host computer's power is on will reconfigure it to PC Card ATA mode from the original True IDE Mode. To configure the card in True IDE Mode, the 50-pin socket must be power cycled with the card inserted and -OE (output enable) grounded by the host.

Table 3-23 defines the function of the operations for the True IDE Mode.

Table 3-23 IDE Mode I/O Function

Function Code	-CE2	-CE1	A0	-IORD	-IOWR	D15-D8	D7-D0
Invalid Mode	L	L	X	X	X	High Z	High Z
Standby Mode	H	H	X	X	X	High Z	High Z
Task File Write	H	L	1-7h	H	L	Don't care	Data In
Task File Read	H	L	1-7h	L	H	High Z	Data Out
Data Register Write	H	L	0	H	L	Odd Byte in	Even Byte In
Data Register Read	H	L	0	L	H	Odd Byte Out	Even Byte Out
Control Register Write	L	H	6h	H	L	Don't Care	Control In
Alt Status Read	L	H	6h	L	H	High Z	Status Out

SanDisk CompactFlash Memory cards can be configured as a high performance I/O device through the following ways:

- Standard PC-AT disk I/O address spaces 1F0h-1F7h, 3F6h-3F7h (primary); 170h-177h, 376h-377h (secondary) with IRQ 14 (or other available IRQ).
- Any system decoded 16-byte I/O block using any available IRQ.
- Memory space.

The communication to or from the card is done using the Task File registers, which provide all the necessary registers for control and status information. The PCMCIA interface connects peripherals to the host using four register mapping methods. Table 4-1 is a detailed description of these methods.

Table 4-1 Standard I/O Configurations

Config Index	I/O or Memory	Address	Drive	Description
0	Memory	0-F, 400-7FF	0	Memory Mapped
1	I/O	XX0-XXF	0	I/O Mapped 16 Contiguous Registers
2	I/O	1F0-1F7, 3F6-3F7	0	Primary I/O Mapped Drive 0
2	I/O	1F0-1F7, 3F6-3F7	1	Primary I/O Mapped Drive 1
3	I/O	170-177, 376-377	0	Secondary I/O Mapped Drive 0
3	I/O	170-177, 376-377	1	Secondary I/O Mapped Drive 1

4.1 I/O Primary and Secondary Address Configurations

Table 3-2 contains configurations for primary and secondary I/O decoding.

Table 4-2 Primary and Secondary I/O Decoding

-REG	A9-A4	A3	A2	A1	A0	-IORD=0	-IOWR=0
0	1F(17)	0	0	0	0	Even RD Data ^{a,b}	Even WR Data ^{a,b}
0	1F(17)	0	0	0	1	Error Register ^a	Features ^a
0	1F(17)	0	0	1	0	Sector Count	Sector Count
0	1F(17)	0	0	1	1	Sector No.	Sector No.
0	1F(17)	0	1	0	0	Cylinder Low	Cylinder Low
0	1F(17)	0	1	0	1	Cylinder High	Cylinder High
0	1F(17)	0	1	1	0	Select Card/Head	Select Card/Head
0	1F(17)	0	1	1	1	Status	Command
0	3F(37)	0	1	1	0	Alt Status	Device Control
0	3F(37)	0	1	1	1	Drive Address	Reserved

- a. Register 0 is accessed with -CE1 low and -CE2 low (and A0 = Do not care) as a word register on the combined Odd Data Bus and Even Data Bus (D15-D0). This register may also be accessed by a pair of byte accesses to the offset 0 with -CE1 low and -CE2 high. Note that the address space of this word register overlaps the address space of the Error and Feature byte-wide registers that lie at offset 1. When accessed twice as byte register with CE1 low, the first byte to be accessed is the even byte of the word and the second byte accessed is the odd byte of the equivalent word access.
- b. A byte access to register 0 with CE1 high and CE2 low accesses the error (read) or feature (write) register.

4.2 Contiguous I/O Mapped Addressing

When the system decodes a contiguous block of I/O registers to select a CompactFlash Memory Card, the registers are accessed in the block of I/O space decoded by the system as follows:

Table 4-3 Contiguous I/O Decoding

-REG	A3	A2	A1	A0	Offset	-IORD=0	-IOWR=0
0	0	0	0	0	0	Even RD Data ^a	Even WR Data ^a
0	0	0	0	1	1	Error Register ^b	Features ^b
0	0	0	1	0	2	Sector Count	Sector Count
0	0	0	1	1	3	Sector No.	Sector No.
0	0	1	0	0	4	Cylinder Low	Cylinder Low
0	0	1	0	1	5	Cylinder High	Cylinder High
0	0	1	1	0	6	Select Card/Head	Select Card/Head
0	0	1	1	1	7	Status	Command
0	1	0	0	0	8	Dup Even RD Data ^b	Dup Even WR Data ^b
0	1	0	0	1	9	Dup Odd RD Data ^b	Dup Odd WR Data ^b
0	1	1	0	1	D	Dup Error ^b	Dup Features ^b
0	1	1	1	0	E	Alt Status	Device Ctl
0	1	1	1	1	F	Drive Address	Reserved

- a. Register 0 is accessed with -CE1 low and -CE2 low (and A0 = Do not care) as a word register on the combined Odd Data Bus and Even Data Bus (D15-D0). This register may also be accessed by a pair of byte accesses to the offset 0 with -CE1 low and -CE2 high. Note that the address space of this word register overlaps the address space of the Error and Feature byte-wide registers that lie at offset 1. When accessed twice as byte register with CE1 low, the first byte to be accessed is the even byte of the word and the second byte accessed is the odd byte of the equivalent word access. A byte access to register 0 with CE1 high and CE2 low accesses the error (read) or feature (write) register.
- b. Registers at offset 8, 9 and D are non-overlapping duplicates of the registers at offset 0 and 1. Register 8 is equivalent to register 0, while register 9 accesses the odd byte. Therefore, if the registers are byte accessed in the order 9 then 8 the data will be transferred odd byte then even byte. Repeated byte accesses to register 8 or 0 will access consecutive (even then odd) bytes from the data buffer. Repeated word accesses to register 8, 9 or 0 will access consecutive words from the data buffer. Repeated byte accesses to register 9 are not supported. However, repeated alternating byte accesses to registers 8 then 9 will access consecutive (even then odd) bytes from the data buffer. Byte accesses to register 9 access only the odd byte of the data.

4.3 Memory Mapped Addressing

When CompactFlash Memory Card registers are accessed via memory references, they appear in the common memory space window: 0-2K bytes as shown in Table 4-4.

Table 4-4 Memory Mapped Decoding

-REG	A10	A9-A4	A3	A2	A1	A0	Offset	-OE=0	-WE=0
1	0	X	0	0	0	0	0	Even RD Data ^a	Even WR Data ^a
1	0	X	0	0	0	1	1	Error Register ^b	Features ^b
1	0	X	0	0	1	0	2	Sector Count	Sector Count
1	0	X	0	0	1	1	3	Sector No.	Sector No.
1	0	X	0	1	0	0	4	Cylinder Low	Cylinder Low
1	0	X	0	1	0	1	5	Cylinder High	Cylinder High
1	0	X	0	1	1	0	6	Select Card/Head	Select Card/Head
1	0	X	0	1	1	1	7	Status	Command
1	0	X	1	0	0	0	8	Dup Even RD Data ^b	Dup Even WR Data ^b
1	0	X	1	0	0	1	9	Dup Odd RD Data ^b	Dup Odd WR Data ^b
1	0	X	1	1	0	1	D	Dup Error ^b	Dup Features ^b
1	0	X	1	1	1	0	E	Alt Status	Device Ctl
1	0	X	1	1	1	1	F	Drive Address	Reserved
1	1	X	X	X	X	0	8	Even RD Data ^c	Even WR Data ^c
1	1	X	X	X	X	1	9	Odd RD Data ^c	Even RD Data ^c

- a. Register 0 is accessed with -CE1 low and -CE2 low (and A0 = Do not care) as a word register on the combined Odd Data Bus and Even Data Bus (D15-D0). This register may also be accessed by a pair of byte accesses to the offset 0 with -CE1 low and -CE2 high. Note that the address space of this word register overlaps the address space of the Error and Feature byte-wide registers that lie at offset 1. When accessed twice as byte register with CE1 low, the first byte to be accessed is the even byte of the word and the second byte accessed is the odd byte of the equivalent word access. A byte access to register 0 with CE1 high and CE2 low accesses the error (read) or feature (write) register.
- b. Registers at offset 8, 9 and D are non-overlapping duplicates of the registers at offset 0 and 1. Register 8 is equivalent to register 0, while register 9 accesses the odd byte. Therefore, if the registers are byte accessed in the order 9 then 8 the data will be transferred odd byte then even byte. Repeated byte accesses to register 8 or 0 will access consecutive (even then odd) bytes from the data buffer. Repeated word accesses to register 8, 9 or 0 will access consecutive words from the data buffer. Repeated byte accesses to register 9 are not supported. However, repeated alternating byte accesses to registers 8 then 9 will access consecutive (even then odd) bytes from the data buffer. Byte accesses to register 9 access only the odd byte of the data.
- c. Accesses to even addresses between 400h and 7FFh access register 8. Accesses to odd addresses between 400h and 7FFh access register 9. This 1 KByte memory window to the data register is provided so that hosts can perform memory to memory block moves to the data register when the register lies in memory space. Some hosts, such as the X86 processors, must increment both the source and destination addresses when executing the memory to memory block move instruction. Some PCMCIA socket adapters also have auto incrementing address logic embedded within them. This address window allows these hosts and adapters to function efficiently. Note that this entire window accesses the Data Register FIFO and does not allow random access to the data buffer within the card.

4.4 True IDE Mode Addressing

When a CompactFlash Memory Card is configured in the True IDE Mode the I/O decoding is as listed in Table 4-5.

Table 4-5 True IDE Mode I/O Decoding

-CE2	-CE1	A2	A1	A0	-IORD=0	-IOWR=0
1	0	0	0	0	Even RD Data	Even WR Data
1	0	0	0	1	Error Register	Features
1	0	0	1	0	Sector Count	Sector Count
1	0	0	1	1	Sector No.	Sector No.
1	0	1	0	0	Cylinder Low	Cylinder Low
1	0	1	0	1	Cylinder High	Cylinder High
1	0	1	1	0	Select Card/Head	Select Card/Head
1	0	1	1	1	Status	Command
0	1	1	1	0	Alt Status	Device Control
0	1	1	1	1	Drive Address	Reserved

4.5 ATA Registers

In accordance with the PCMCIA specification: each of the registers below which is located at an odd offset address may be accessed at its normal address and also the corresponding even address (normal address -1) using data bus lines (D15-D8) when -CE1 is high and -CE2 is low unless -IOIS16 is high (not asserted) and an I/O cycle is being performed.

4.5.1 Data Register (Address=1F0[170]; Offset 0, 8, 9)

The Data Register is a 16-bit register, and it is used to transfer data blocks between the CompactFlash Memory Card data buffer and the host. This register overlaps the Error Register. The information in Table 3-6 describes the combinations of data register access and is provided to assist in understanding the overlapped Data Register and Error/Feature Register rather than attempt to define general PCMCIA word and byte access modes and operations. Refer to the PCMCIA PC Card Standard Release 2.0 for definitions of the Card Accessing modes for I/O and memory cycles.

NOTE: Because of the overlapped registers, access to the 1F1, 171 or offset 1 are not defined for word (-CE2 = 0 and -CE1 = 0) operations. SanDisk products treat these accesses as accesses to the Word Data Register. The duplicated registers at offsets 8, 9 and Dh have no restrictions on the operations that can be performed by the socket.

Table 4-6 Data Register

Data Register	CE2-	CE1-	A0	Offset	Data Bus
Word Data Register	0	0	X	0,8,9	D15-D0
Even Data Register	1	0	0	0,8	D7-D0
Odd Data Register	1	0	1	9	D7-D0
Odd Data Register	0	1	X	8,9	D15-D0
Error/Feature Register	1	0	1	1,Dh	D7-D0

Table 4-6 Data Register

Data Register	CE2-	CE1-	A0	Offset	Data Bus
Error/Feature Register	0	1	X	1	D15-D0
Error/Feature Register	0	0	X	Dh	D15-D0

4.5.2 Error Register (Address–1F1[171]; Offset 1, 0Dh Read Only)

This register contains additional information about the source of an error when an error is indicated in bit 0 of the Status Register. The bits are defined as follows:

D7	D6	D5	D4	D3	D2	D1	D0
BBK	UNC	0	IDNF	0	ABRT	0	AMNF

This register is also accessed on data bits D15-D8 during a write operation to offset 0 with -CE2 low and -CE1 high.

Bit	Name	Description
D7	BBK	Set when a bad block is detected.
D6	UNC	Set when an uncorrectable error is encountered.
D5	0	Bit set to 0.
D4	IDNF	The requested sector ID is in error or cannot be found.
D3	0	Bit set to 0.
D2	ABRT	Set if the command has been aborted because of a card status condition: (Not Ready, Write Fault, etc.) or when an invalid command has been issued.
D1	0	Bit set to 0.
D0	AMNF	Set in case of a general error.

4.5.3 Feature Register (Address–1F1[171]; Offset 1, 0Dh Write Only)

This register provides information about CompactFlash Memory Card features the host can utilize. This register is also accessed on data bits D15-D8 during a write operation to Offset 0 with CE2 low and -CE1 high.

4.5.4 Sector Count Register (Address–1F2[172]; Offset 2)

This register contains the number of sectors of data requested to be transferred on a read or write operation between the host and the card. If the value in this register is zero, a count of 256 sectors is specified. If the command was successful, this register is “0” at command completion. If not successfully completed, the register contains the number of sectors that need to be transferred in order to complete the request.

4.5.5 Sector Number (LBA 7-0) Register (Address–1F3[173]; Offset 3)

This register contains the starting sector number or bits 7-0 of the Logical Block Address (LBA) for any CompactFlash Memory Card data access for the subsequent command.

4.5.6 Cylinder Low (LBA 15-8) Register (Address–1F4[174]; Offset 4)

This register contains the low order 8 bits of the starting cylinder address or bits 15-8 of the Logical Block Address.

4.5.7 Cylinder High (LBA 23-16) Register (Address–1F5[175]; Offset 5)

This register contains the high order bits of the starting cylinder address or bits 23-16 of the Logical Block Address.

4.5.8 Drive/Head (LBA 27-24) Register (Address–1F6[176]; Offset 6)

The Drive/Head Register is used to select the drive and head. It is also used to select LBA addressing instead of cylinder/head/sector addressing. The bits are defined as follows:

D7	D6	D5	D4	D3	D2	D1	D0
1	LBA	1	DRV	HS3	HS2	HS1	HS0

Bit	Name	Description
D7	1	Bit set to 1.
D6	LBA	LBA is a flag to select either Cylinder/Head/Sector (CHS) or Logical Block Address Mode (LBA). When LBA=0, Cylinder/Head/Sector mode is selected. When LBA=1, Logical Block Address is selected. In Logical Block Mode, the Logical Block Address is interpreted as follows: LBA07-LBA00: Sector Number Register D7-D0. LBA15-LBA08: Cylinder Low Register D7-D0. LBA23-LBA16: Cylinder High Register D7-D0. LBA27-LBA24: Drive/Head Register bits HS3-HS0.
D5	1	Bit set to 1.
D4	DRV	This bit will have the following meaning. DRV is the drive number. When DRV=0, drive (card) 0 is selected. When DRV=1, drive (card) 1 is selected. The CompactFlash Card is set to be Card 0 or 1 using the copy field of the PCMCIA Socket & Copy configuration register.
D3	HS3	When operating in the Cylinder , Head, Sector mode, this is bit 3 of the head number. It is Bit 27 in the Logical Block Address mode.
D2	HS2	When operating in the Cylinder , Head, Sector mode, this is bit 2 of the head number. It is Bit 26 in the Logical Block Address mode.
D1	HS1	When operating in the Cylinder , Head, Sector mode, this is bit 1 of the head number. It is Bit 25 in the Logical Block Address mode.
D0	HS0	When operating in the Cylinder , Head, Sector mode, this is bit 0 of the head number. It is Bit 24 in the Logical Block Address mode.

4.5.9 Status & Alternate Status Registers (Address–1F7[177]&3F6[376]; Offsets 7 & Eh)

These registers return the card status when read by the host. Reading the Status Register clears a pending interrupt while reading the Auxiliary Status Register does not. The meaning of the status bits are described as follows:

D7	D6	D5	D4	D3	D2	D1	D0
BUSY	RDY	DWF	DSC	DRQ	CORR	0	ERR

Bit	Name	Description
D7	BUSY	Set when the CompactFlash Card has access to the command buffer and registers and the host is locked out from accessing the command register and buffer. No other bits in this register are valid when this bit is set to a 1.
D6	RDY	RDY indicates whether the device is capable of performing card operations. This bit is cleared at power-up and remains cleared until card is ready to accept a command.
D5	DWF	If set, indicates a write fault has occurred.
D4	DSC	Set when the card is ready.
D3	DRQ	Set when the card requires that information be transferred either to or from the host through the Data Register.
D2	CORR	Set when a correctable data error has been encountered and the data has been corrected. This condition does not terminate a multi-sector read operation.
D1	0	Always set to 0.
D0	ERR	Set when the previous command has ended in some type of error. The bits in the Error Register contain additional information describing the error.

4.5.10 Device Control Register (Address–3F6[376]; Offset Eh)

This register is used to control the CompactFlash Memory Card interrupt request and to issue an ATA soft reset to the card. The bits are defined as follows:

D7	D6	D5	D4	D3	D2	D1	D0
X	X	X	X	1	SW Rst	-IEn	0

Device Control Register (con't)

Bit	Name	Description
D7	X	Don't care.
D6	X	Don't care.
D5	X	Don't care.
D4	X	Don't care.
D3	1	Bit ignored by the card.
D2	SW Rst	Set to 1 in order to force the card to perform an AT Disk controller Soft Reset operation. This does not change the PCMCIA Card Configuration registers as a hardware reset does. The card remains in Reset until this bit is reset to "0".
D1	-IEn	Interrupt Enable bit enables interrupts when the bit is 0. When the bit is 1, interrupts from the card are disabled. This bit also controls the Int bit in the Configuration and Status Register. This bit is set to 0 at power on and reset.
D0	ERR	Bit ignored by the card.

4.5.11 Card (Drive) Address Register (Address–3F7[377]; Offset Fh)

This register is provided for compatibility with the AT disk drive interface. It is recommended that this register not be mapped into the host's I/O space because of potential conflicts on Bit 7. The bits are defined as follows:

D7	D6	D5	D4	D3	D2	D1	D0
X	-WTG	-HS3	-HS2	-HS1	-HS0	-nDS1	-nDS0

Card (Drive) Address Register (con't)

Bit	Name	Description
D7	X	<p>This bit is unknown.</p> <p>Implementation Note:</p> <p>Conflicts may occur on the host data bus when this bit is provided by a Floppy Disk Controller operating at the same addresses as the CompactFlash Memory Card. Following are some possible solutions to this problem for the PCMCIA implementation:</p> <ol style="list-style-type: none"> 1. Locate the CompactFlash Memory Card at a non-conflicting address, i.e., Secondary address (377) or in an independently decoded Address Space when a Floppy Disk Controller is located at primary addresses. 2. Do not install a Floppy and a CompactFlash Memory Card in the system at the same time 3. Implement a socket adapter that can be programmed to (conditionally) tri-state D7 of I/O address 3F7/377 when a CompactFlash Memory Card is installed and conversely to tri-state D6-D0 of I/O address 3F7/377 when a floppy controller is installed 4. Do not use the card's Drive Address Register. This may be accomplished by either a) If possible, program the host adapter to enable only I/O addresses 1F0-1F7, 3F6 (or 170-177, 176) to the card or b) if provided use an additional primary/secondary configuration in the card that does not respond to accesses to I/O locations 3F7 and 377. With either of these implementations, the host software must not attempt to use information in the Drive Address Register.
D6	-WTG	This bit is 0 when a write operation is in progress, otherwise, it is 1.
D5	-HS3	This bit is the negation of bit 3 in the Drive/Head Register.
D4	-HS2	This bit is the negation of bit 2 in the Drive/Head Register.
D3	-HS1	This bit is the negation of bit 1 in the Drive/Head Register.
D2	-HS0	This bit is the negation of bit 0 in the Drive/Head Register.
D1	-nDS1	This bit is 0 when drive 1 is active and selected.
D0	-nDS0	This bit is 0 when the drive 0 is active and selected.

–This page intentionally left blank–

This section defines the software requirements and the format of commands the host sends to CompactFlash Memory cards. Commands are issued to the card by loading the required registers in the command block with the supplied parameters, and then writing the command code to the Command Register. The manner in which a command is accepted varies. There are three classes (see Table 5-1) of command acceptance, all dependent on the host not issuing commands unless the card is not busy. (The BUSY bit in the status and alternate status registers is 0.)

- Upon receipt of a Class 1 command, the card sets the BUSY bit within 400 nsec.
- Upon receipt of a Class 2 command, the card sets the BUSY bit within 400 nsec, sets up the sector buffer for a write operation, sets DRQ within 700 μ sec, and clears the BUSY bit within 400 nsec of setting DRQ.
- Upon receipt of a Class 3 command, the card sets the BUSY bit within 400 nsec, sets up the sector buffer for a write operation, sets DRQ within 20 msec (assuming no re-assignments), and clears the BUSY bit within 400 nsec of setting DRQ.

5.1 ATA Command Set

Table 5-1 summarizes the ATA command set with the paragraphs that follow describing the individual commands and the task file for each.

Table 5-1 Primary and Secondary I/O Decoding

Class	Command	Code	FR	SC	SN	CY	DH	LBA
1	Check Power Mode	E5h or 98h	-	-	-	-	D	-
1	Execute Drive Diagnostic	90h	-	-	-	-	D	-
1	Erase Sector(s) ^a	C0h	-	Y	Y	Y	Y	Y
2	Format Track	50h	-	Y	-	Y	Y	Y
1	Identify Device	ECh	-	-	-	-	D	-
1	Idle	E3h or 97h	-	Y	-	-	D	-
1	Idle Immediate	E1h or 95h	-	-	-	-	D	-
1	Initialize Drive Parameters	91h	-	Y	-	-	Y	-
1	Read Buffer	E4h	-	-	-	-	D	-
1	Read DMA	C8 or C9	-	Y	Y	Y	Y	Y
1	Read Multiple	C4h	-	Y	Y	Y	Y	Y
1	Read Long Sector	22h or 23h	-	-	Y	Y	Y	Y
1	Read Sector(s)	20h or 21h	-	Y	Y	Y	Y	Y
1	Read Verify Sector(s)	40h or 41h	-	Y	Y	Y	Y	Y
1	Recalibrate	1Xh	-	-	-	-	D	-
1	Request Sense ^b	03h	-	-	-	-	D	-
1	Seek	7Xh	-	-	Y	Y	Y	Y
1	Set Features	EFh	Y	-	-	-	D	-

Table 5-1 Primary and Secondary I/O Decoding

Class	Command	Code	FR	SC	SN	CY	DH	LBA
1	Set Multiple Mode	C6h	-	Y	-	-	D	-
1	Set Sleep Mode	E6h or 99h	-	-	-	-	D	-
1	Stand By	E2h or 96h	-	-	-	-	D	-
1	Stand By Immediate	E0h or 94h	-	-	-	-	D	-
1	Translate Sector ^b	87h	-	Y	Y	Y	Y	Y
1	Wear Level ^b	F5h	-	-	-	-	Y	-
2	Write Buffer	E8h	-	-	-	-	D	-
2	Write DMA	CA or CB	-	Y	Y	Y	Y	Y
2	Write Long Sector	32h or 33h	-	-	Y	Y	Y	Y
3	Write Multiple	C5h	-	Y	Y	Y	Y	Y
3	Write Multiple w/o Erase ^a	CDh	-	Y	Y	Y	Y	Y
2	Write Sector(s)	30h or 31h	-	Y	Y	Y	Y	Y
2	Write Sector(s) w/o Erase ^a	38h	-	Y	Y	Y	Y	Y
2	Write Verify	3Ch	-	Y	Y	Y	Y	Y

a. These commands are not standard PC Card ATA commands and these features are no longer supported with the introduction of 256 Mbit Flash Technology. If one of these commands is issued, the sectors will be erased but there will be no net gain in write performance when using the Write Without Erase command.

b. These commands are not standard PC Card ATA commands but provide additional functionality.

ABBREVIATION KEY

FR Features Register

SC Sector Count Register

SN Sector Number Register

CY Cylinder Registers

DH Card/Drive/Head Register

LBA Logical Block Address Mode Supported

Y The register contains a valid parameter for this command. For the Drive/Head Register, both the CompactFlash Card and head parameters are used

D The register contains a valid parameter for this command. For the Drive/Head Register, only the CompactFlash Card parameter is valid and not the head parameter

5.1.1 Check Power Mode—98H, E5H

This command checks the power mode.

If the CompactFlash Card is in, going to, or recovering from the sleep mode, it sets BSY, sets the Sector Count Register to 00h, clears BSY and generates an interrupt.

If the card is in Idle mode, it sets BSY, sets the Sector Count Register to FFh, clears BSY and generates an interrupt.

Table 5-2 Check Power Mode

Bit	7	6	5	4	3	2	1	0
Command (7)	E5H or 98H							
C/D/H (6)		X		Drive			X	
Cyl High (5)					X			
Cyl Low (4)					X			
Sec Num (3)					X			
Sec Cnt (2)					X			
Feature (1)					X			

5.1.2 Execute Drive Diagnostic–90H

This command performs the internal diagnostic tests implemented by the CompactFlash cards.

Table 5-3 Execute Drive Diagnostic

Bit	7	6	5	4	3	2	1	0
Command (7)	90H							
C/D/H (6)		X		Drive			X	
Cyl High (5)					X			
Cyl Low (4)					X			
Sec Num (3)					X			
Sec Cnt (2)					X			
Feature (1)					X			

The Diagnostic codes shown in Table 5-4 are returned in the Error Register at the end of the command.

Table 5-4 Diagnostic Codes

Code	Error Type
01h	No error detected
02h	Formatter device error
03h	Sector buffer error
04h	ECC circuitry error
05h	Controlling microprocessor error
8Xh	Slave failed (True IDE Mode)

5.1.3 Erase Sector(s)–C0H

This command is no longer recommended. There is essentially no net gain in the use of the Erase Sectors Command and/or the Write Without Erase Commands. This command is supported to guarantee backward compatibility.

Table 5-5 Erase Sectors

Bit	7	6	5	4	3	2	1	0
Command (7)	C0H							
C/D/H (6)	1	LBA	1	Drive	Head (LBA 27-24)			
Cyl High (5)	Cylinder High (LBA 23-16)							
Cyl Low (4)	Cylinder Low (LBA 15-8)							
Sec Num (3)	Sector Number (LBA 7-0)							
Sec Cnt (2)	Sector Number (LBA 7-0)							
Feature (1)	X							

5.1.4 Format Track–50H

This command writes the desired head and cylinder of the selected drive with an FFh pattern. To remain host backward compatible, the card expects a sector buffer of data from the host to follow the command with the same protocol as the Write Sector(s) command although the information in the buffer is not used by the card. If LBA=1 then the number of sectors to format is taken from the Sec Cnt register (0=256).

NOTE: The Format Track command in Table 5-6 is no longer recommended.
The command is supported to guarantee backward compatibility.

Table 5-6 Format Track

Bit	7	6	5	4	3	2	1	0
Command (7)	50H							
C/D/H (6)	1	LBA	1	Drive	Head (LBA 27-24)			
Cyl High (5)	Cylinder High (LBA 23-16)							
Cyl Low (4)	Cylinder Low (LBA 15-8)							
Sec Num (3)	X (LBA 7-0)							
Sec Cnt (2)	Count (LBA mode only)							
Feature (1)	X							

5.1.5 Identify Device–ECH

The Identify Drive command enables the host to receive parameter information from a CompactFlash Memory Card. This command has the same protocol as the Read Sector(s) command. The parameter words in the buffer have the arrangement and meanings defined in Table 5-8. All reserved bits or words are “0”.

Table 5-7 Identify Device

Bit	7	6	5	4	3	2	1	0	
Command (7)	ECH								
C/D/H (6)	X	X	X	Drive	X				
Cyl High (5)					X				
Cyl Low (4)					X				
Sec Num (3)					X				
Sec Cnt (2)					X				
Feature (1)					X				

Table 5-8 is the definition for each field in the Identify Device Information.

Table 5-8 Identify Device Information

Word Address	Default Value	Total Bytes	Data Field Type Information
0	848Ah	2	General configuration bit-significant information
1	XXXXh	2	Default number of cylinders
2	0000h	2	Reserved
3	XXXXh	2	Default number of heads
4	0000h	2	Number of unformatted bytes per track
5	0000h	2	Number of unformatted bytes per sector
6	XXXXh	2	Default number of sectors per track
7-8	XXXXh	4	Number of sectors per card (Word 7 = MSW, Word 8 = LSW)
9	0000h	2	Reserved
10-19	aaaa	20	Serial number in ASCII (right justified)
20	0000h	2	Buffer type (dual ported)
21	0000h	2	Buffer size in 512 byte increments
22	0004h	2	Number of ECC bytes passed on Read/Write Long Commands
23-26	aaa	8	Firmware revision in ASCII (Rev M.ms) set by code Big Endian Byte Order in Word
27-46	aaaa	40	Model number in ASCII (left justified) Big Endian Byte Order in Word
47	000Xh	2	Maximum No. of Sectors on Read/Write Multiple command
48	0000h	2	Double-word not supported
49	0X00h ^a	2	Capabilities: DMA Supported (bit 8), LBA supported (bit 9)
50	0000h	2	Reserved

Table 5-8 Identify Device Information

Word Address	Default Value	Total Bytes	Data Field Type Information
51	0200h	2	PIO data transfer cycle timing mode
52	0000h	2	Single word DMA data transfer cycle timing mode (not supported)
53	0003h	2	Field validity
54	XXXXh	2	Current number of cylinders
55	XXXXh	2	Current number of heads
56	XXXXh	2	Current sectors per track
57-58	XXXXh	4	Current capacity in sectors (LBAs) (Word 57 = LSW, Word 58 = MSW)
59	010Xh	2	Multiple sector setting is valid
60-61	XXXXh	4	Total number of sectors addressable in LBA Mode
62	0000h	2	Single word DMA transfer (not supported)
63	0X07h	2	0-7: Multiword DMA modes supported 15-8: Multiword DMA mode active
64	0003h	2	Advanced PIO modes supported
65	0078h (IDE Mode only)	2	Minimum multiword DMA transfer cycle time per word in ns
66	0078h (IDE Mode only)	2	Recommended multiword DMA transfer cycle time per word in ns
67	0078h	2	Minimum PIO transfer without flow control
68	0078h	2	Minimum PIO transfer with IORDY flow control
69-79	0000h	20	Reserved
80	00XXh	2	Major ATA version
81	0000h	2	Minor ATA version
82	00X0h	2	Features/command sets supported
83	4004h	2	Features/command sets supported
84	4000h	2	Features/command sets supported
85	0000h	2	Features/command sets enabled
86	0004h	2	Features/command sets enabled
87	4000h	2	Features/command sets enabled
88	0000h	2	Ultra DMA Mode supported and selected
89	XXXXh	2	Time required for security erase-unit completion
90	0000h	2	Time required for enhanced security erase-unit completion
91	XXXXh	2	Current advanced power management value
92-127	0000h	72	Reserved
128-159	0000h	64	Reserved vendor-unique bytes
160	0000h	2	Power requirement description
161	0000h	2	Reserved for assignment by the CFA
162	0000h	2	Key management schemes supported

Table 5-8 Identify Device Information

Word Address	Default Value	Total Bytes	Data Field Type Information
163	00XXh	2	CF Advanced True IDE Timing Mode Capability and Setting
164	001Bh	2	CF Advanced PCMCIA I/O and Memory Timing Mode Capability
165-175	0000h	22	Reserved for assignment by the CFA
176-255	0000h	140	Reserved

- a. Multiword DMA is supported by SanDisk PCMCIA. For all unsupported cases, 0100H is reported in word 49, and 0000H is reported in words 52, 63, and 65. CompactFlash products will support multiword.

Word 0: General Configuration. This field informs the host that this is a non-magnetic, hard sectored, removable storage device with a transfer rate greater than 10 Mb/sec and is not MFM encoded. CompactFlash products report 848AH in compliance with the CFA specification.

Word 1: Default Number of Cylinders. This field contains the number of translated cylinders in the default translation mode. This value will be the same as the number of cylinders.

Word 3: Default Number of Heads. This field contains the number of translated heads in the default translation mode.

Word 4: Number of Unformatted Bytes per Track. This field contains the number of unformatted bytes per translated track in the default translation mode.

Word 5: Number of Unformatted Bytes per Sector. This field contains the number of unformatted bytes per sector in the default translation mode.

Word 6: Default Number of Sectors per Track. This field contains the number of sectors per track in the default translation mode.

Words 7-8: Number of Sectors per Card. This field contains the number of sectors per CompactFlash Memory Card. This double word value is also the first invalid address in LBA translation mode.

Words 10-19: Memory Card Serial Number. The contents of this field are right justified and padded with spaces (20h).

Word 20: Buffer Type. This field defines the buffer capability with the 0002h meaning a dual ported multi-sector buffer capable of simultaneous data transfers to or from the host and the CompactFlash Memory Card.

Word 21: Buffer Size. This field defines the buffer capacity of 2 sectors or 1 kilobyte of SRAM.

Word 22: ECC Count. This field defines the number of ECC bytes used on each sector in the Read and Write Long commands.

Words 23-26: Firmware Revision. This field contains the revision of the firmware for this product.

Words 27-46: Model Number. This field contains the model number for this product and is left justified and padded with spaces (20h).

Word 47: Read/Write Multiple Sector Count. This field contains the maximum number of sectors that can be read or written per interrupt using the Read Multiple or Write Multiple commands.

Word 48: Double Word Support. This field indicates this product will not support double word transfers.

Word 49: Capabilities. This field indicates if this product supports DMA Data transfers and LBA mode. All SanDisk products support LBA mode.

Word 51: PIO Data Transfer Cycle Timing Mode. To determine the proper device timing category, compare the Cycle Time specified in Table 3-15 with the contents of this field with Table 3-14.

t_0 is the minimum total cycle time, t_2 is the minimum command active time, and t_{2i} is the minimum command recovery time or command inactive time. The actual cycle time equals the sum of the actual command active time and the actual command inactive time. The three timing requirements of t_0 , t_2 , and t_{2i} shall be met. The minimum total cycle time requirements are greater than the sum of t_2 and t_{2i} . This means a host implementation may lengthen either or both t_2 or t_{2i} to ensure that t_0 is equal to or greater than the value reported in the devices IDENTIFY DEVICE data. A device implementation shall support any legal host implementation.

The IORD-data tri-state parameter specifies the time from the negation edge of /IORD to the time that the data bus is no longer driven by the device (tri-state).

NOTE: For backward compatibility with BIOS' written before Word 64 was defined for advanced modes, a device reports in Word 51 the highest original PIO mode it can support (i.e., PIO mode 0, 1 or 2).

Word 52: Single Word DMA Data Transfer Cycle Timing Mode. This field states this product does not support any Single Word DMA data transfer mode.

Word 53: Translation Parameters Valid. Bit 0 of this field is set, indicating that words 54 to 58 are valid and reflect the current number of cylinders, heads and sectors. Bit 1 is also set, indicating values in words 64 through 70 are valid.

Words 54-56: Current Number of Cylinders, Heads, Sectors/Track. These fields contain the current number of user addressable cylinders, heads, and sectors/track in the current translation mode.

Words 57-58: Current Capacity . This field contains the product of the current cylinders \times heads \times sectors.

Word 59: Multiple Sector Setting . This field contains a validity flag in the odd byte and the current number of sectors that can be transferred per interrupt for R/W Multiple in the even byte. The odd byte is always 01H, which indicates that the even byte is always valid.

The even byte value depends on the value set by the Set Multiple command. The even byte of this word by default contains a 00H, which indicates that R/W Multiple commands are not valid. The only other value returned by the CompactFlash Memory Card in the even byte is a 01H value, which indicates that 1 sector per interrupt, can be transferred in R/W Multiple mode.

Words 60-61: Total Sectors Addressable in LBA Mode. This field contains the number of sectors addressable for the CompactFlash Card in LBA mode only.

Word 64: Advanced PIO Transfer Modes Supported. Bits 0 and 1 of this field are set to indicate support for PIO transfer modes 3 and 4, respectively.

Word 65: Minimum Multiword DMA Transfer Cycle Time per Word. Word 65 of the parameter information of the IDENTIFY DEVICE command is defined as the Minimum Multiword DMA Transfer Cycle Time Per Word. This field defines, in nanoseconds, the minimum cycle time that the device can support when performing Multiword DMA transfers on a per word basis.

Word 66: Recommended Multiword DMA Cycle Time. Word 66 of the parameter information of the IDENTIFY DEVICE command is defined as the Recommended Multiword DMA Transfer Cycle Time. This field defines, in nanoseconds, the minimum cycle time per word during a single sector host transfer while performing a multiple sector READ DMA or WRITE DMA commands over all locations on the media under minimal conditions. If a host runs at a faster cycle rate by operating at a cycle time of less than this value, the device may negate DMARQ for flow control. The rate at which DMARQ is negated could result in reduced throughput despite the faster cycled rate. Transfer at this rate does not ensure that flow control will not be used, but implies that higher performance may result.

Word 67: Minimum PIO Transfer Cycle Time Without Flow Control. This field indicates in nanoseconds, the minimum cycle time that, if used by the host, the card guarantees data integrity during the cycle without utilization of flow control.

Word 68: Minimum PIO Transfer Cycle Time With Flow Control. This field indicates in nanoseconds, the minimum cycle time the card supports while performing data transfers using flow control.

Words 82-84: Features/Command Sets Supported. Words 82, 83, and 84 indicate the features and command sets supported. The value 0000h or FFFFh was placed in each of these words by CompactFlash cards prior to ATA-3 and will be interpreted by the host as meaning that features/command sets supported are not indicated. Bits 1 through 13 of Word 83, and bits 0 through 13 of Word 84 are reserved. Bit 14 of Word 83 and Word 84 will be set to "1," and bit 15 of Word 83 and Word 84 will be cleared to zero which indicates that the features and command sets supported words are valid. The values in these words should not be depended on by host implementers.

Table 5-9 Word 82 Description

Bit	Setting	Indication
0	0	SMART feature set not supported
1	1	Security Mode feature set supported
2	0	Removable Media feature set not supported
3	1	Power Management feature set supported
4	0	Packet Command feature set not supported
5	1	Write cache supported
6	1	Look-ahead supported
7	0	Release Interrupt not supported
8	0	Service Interrupt not supported
9	0	Device Reset command not supported
10	0	Host Protected Area feature set not supported
11	---	Obsolete
12	1	Write Buffer command supported by CF Card
13	1	Read Buffer command supported by CF Card
14	1	NOP command supported by CF Card
15	---	Obsolete

Table 5-10 Word 83 Description

Bit	Setting	Indication
0	0	Download Microcode command not supported by CF Card
1	0	Read DMA Queued and Write DMA Queued commands not supported by CF Card
2	1	CFA feature set supported by CF Card
3	1	Advanced Power Management feature set supported by CF Card
4	0	Removable Media Status feature set not supported by CF Card

Words 85-87: Features/Command Sets Enabled. Words 85, 86, and 87 indicates features/command sets enabled. The value 0000h or FFFFh was placed in each of these words by CompactFlash cards prior to ATA-4 and will be interpreted by the host as meaning that features/command sets enabled are not indicated. Bits 1 through 15 of word 86 are reserved.

Bits 0-13 of word 87 are reserved. Bit 14 of word 87 will be set to one and bit 15 of word 87 will be cleared to zero to provide indication that the features/command sets enabled words are valid. The values in these words should not be depended upon by host implementers.

Table 5-11 Word 85 Description

Bit	Setting	Indication
0	0	SMART feature set not enabled
1	1	Security Mode feature set enabled via the Security Set Password command
2	0	Removable Media feature set not supported
3	1	Power Management feature set supported
4	0	Packet Command feature set not enabled
5	1	Write cache enabled
6	1	Look-ahead enabled
7	0	Release Interrupt not enabled
8	0	Service Interrupt not enabled
9	0	Device Reset command not supported
10	0	Host Protected Area feature set not supported
11	---	Obsolete
12	1	Write Buffer command supported by CF Card
13	1	Read Buffer command supported by CF Card
14	1	NOP command supported by CF Card
15	---	Obsolete

Table 5-12 Word 86 Description

Bit	Setting	Indication
0	0	Download Microcode command not supported by CF Card
1	0	Read DMA Queued and Write DMA Queued commands not supported by CF Card
2	1	CFA feature set supported by CF Card
3	1	Advanced Power Management feature set by Set Features command
4	0	Removable Media Status feature set not supported by CF Card

Word 163: CF Advanced True IDE Timing Mode Capabilities and Settings. This word describes the capabilities and current settings for CFA defined advanced timing modes using the True IDE interface.

There are four separate fields defined that describe support and selection of Advanced PIO timing modes and Advanced Multiword DMA timing modes. The older modes are reported in Word 63: Multiword DMA Transfer and Word 64: Advanced PIO Transfer Modes Supported.

- **Bits 2-0: Advanced True IDE PIO Mode Support**

Indicates the maximum True IDE PIO mode supported by the card.

Value	Maximum PIO Mode Timing Supported
0	Specified in Word 64
1	PIO Mode 5
2	PIO Mode 6
3-7	Reserved

- **Bits 5-3: Advanced True IDE Multiword DMA Mode Support**

Indicates the maximum True IDE Multiword DMA mode supported by the card.

Value	Maximum Multiword DMA Mode Timing Supported
0	Specified in Word 63
1	Multiword DMA Mode 3
2	Multiword DMA Mode 4
3-7	Reserved

- **Bits 8-6: Advanced True IDE PIO Mode Selected**

Indicates the current True IDE PIO mode selected on the card.

Value	Current PIO Timing Mode Selected
0	Specified in Word 64
1	PIO Mode 5
2	PIO Mode 6
3-7	Reserved

- **Bits 11-9: Advanced True IDE Multiword DMA Mode Selected**

Indicates the current True IDE Multiword DMA Mode Selected on the card.

Value	Current Multiword DMA Timing Mode Selected
0	Specified in Word 63
1	Multiword DMA Mode 3
2	Multiword DMA Mode 4
3-7	Reserved

- **Bits 15-12: Reserved**

Word 164: CF Advanced PCMCIA I/O and Memory Timing Mode Capabilities and Settings. This word describes the capabilities and current settings for CFA defined advanced timing modes using the Memory and PCMCIA I/O interface.

- **Bits 2-0: Maximum Advanced PCMCIA I/O Mode Support**

Indicates the maximum I/O timing mode supported by the card.

Value	Maximum PCMCIA I/O Timing Mode Supported
0	255 ns Cycle PCMCIA I/O Mode
1	120 ns Cycle PCMCIA I/O Mode
2	100 ns Cycle PCMCIA I/O Mode
3	80 ns Cycle PCMCIA I/O Mode
4-7	Reserved

- **Bits 5-3: Maximum Memory Timing Mode Supported**

Indicates the Maximum Memory timing mode supported by the card.

Value	Maximum Memory Timing Mode Supported
0	250 ns Cycle Memory Mode
1	120 ns Cycle Memory Mode
2	100 ns Cycle Memory Mode
3	80 ns Cycle Memory Mode
4-7	Reserved

- **Bits 15-6: Reserved**

5.1.6 Idle–97H, E3H

This command causes the card to set BSY, enter the Idle (Read) mode, clear BSY and generate an interrupt. If the sector count is non-zero, it is interpreted as a timer count with each count being 5 milliseconds and the automatic power down mode is enabled. If the sector count is zero, the automatic power down mode is disabled.

NOTE: This time base (5 msec) is different from the ATA specification.

Table 5-13 Idle

Bit	7	6	5	4	3	2	1	0
Command (7)	E3H or 97H							
C/D/H (6)		X		Drive			X	
Cyl High (5)					X			
Cyl Low (4)					X			
Sec Num (3)					X			
Sec Cnt (2)			Timer Count (5 ms increments)					
Feature (1)					X			

5.1.7 Idle Immediate–95H, E1H

This command causes the card to set BSY, enter the Idle (Read) mode, clear BSY and generate an interrupt.

Table 5-14 Idle Immediate

Bit	7	6	5	4	3	2	1	0
Command (7)	E1H or 95H							
C/D/H (6)		X		Drive			X	
Cyl High (5)					X			
Cyl Low (4)					X			
Sec Num (3)					X			
Sec Cnt (2)					X			
Feature (1)					X			

5.1.8 Initialize Drive Parameters–91H

This command enables the host to set the number of sectors per track and the number of heads per cylinder. Only the Sector Count and the Card/Drive/Head registers are used by this command.

NOTE: SanDisk recommends not using this command in any system because DOS determines the offset to the Boot Record based on the number of heads and sectors per track. If a CompactFlash Memory Card is "Formatted" with one head and sector per track value, the same card will not operate correctly with DOS configured with another heads and sectors per track value.

Table 5-15 Initialize Drive Parameters

Bit	7	6	5	4	3	2	1	0
Command (7)	91H							
C/D/H (6)	X	0	X	Drive		Max. Head (no. of heads - 1)		
Cyl High (5)					X			
Cyl Low (4)					X			
Sec Num (3)					X			
Sec Cnt (2)					Number of Sectors			
Feature (1)					X			

5.1.9 Read Buffer–E4H

The Read Buffer command enables the host to read the current contents of the card's sector buffer. This command has the same protocol as the Read Sector(s) command.

Table 5-16 Read Buffer

Bit	7	6	5	4	3	2	1	0
Command (7)	E4H							
C/D/H (6)		X		Drive			X	
Cyl High (5)					X			
Cyl Low (4)					X			
Sec Num (3)					X			
Sec Cnt (2)					X			
Feature (1)					X			

5.1.10 Read DMA Command–C8H, C9H

The Read DMA command in Table 5-17 executes in a similar manner to the READ SECTOR(S) command except for the following:

- The host initializes the DMA channel prior to issuing the command.
- Data transfers are qualified by DMARQ and are performed by the DMA channel.
- The device issues only one interrupt per command to indicate that data transfer has terminated and status is available.

During the DMA transfer phase of a Read DMA command, the device provides status of the BSY bit or the DRQ bit until the command is completed.

Table 5-17 Read DMA Command

Bit	7	6	5	4	3	2	1	0
Command (7)	C8H or C9H							
C/D/H (6)	1	LBA	1	Drive	Head (LBA 27-24)			
Cyl High (5)	Cylinder High (LBA 23-16)							
Cyl Low (4)	Cylinder Low (LBA 15-8)							
Sec Num (3)	Sector Number (LBA 7-0)							
Sec Cnt (2)	Sector Count							
Feature (1)	X							

5.1.11 Read Multiple—C4H

The Read Multiple command performs similarly to the Read Sectors command. Interrupts are not generated on every sector, but on the transfer of a block, which contains the number of sectors defined by a Set Multiple, command.

Table 5-18 Read Multiple

Bit	7	6	5	4	3	2	1	0
Command (7)	C4H							
C/D/H (6)	1	LBA	1	Drive	Head (LBA 27-24)			
Cyl High (5)	Cylinder High (LBA 23-16)							
Cyl Low (4)	Cylinder Low (LBA 15-8)							
Sec Num (3)	Sector Number (LBA 7-0)							
Sec Cnt (2)	Sector Count							
Feature (1)	X							

Command execution is identical to the Read Sectors operation except that the number of sectors defined by a Set Multiple command is transferred without intervening interrupts. DRQ qualification of the transfer is required only at the start of the data block, not on each sector.

The block count of sectors to be transferred without intervening interrupts is programmed by the Set Multiple Mode command, which must be executed prior to the Read Multiple command. When the Read Multiple command is issued, the Sector Count Register contains the number of sectors (not the number of blocks or the block count) requested. If the number of requested sectors is not evenly divisible by the block count, as many full blocks as possible are transferred, followed by a final, partial block transfer. The partial block transfer is for n sectors, where: $n = (\text{sector count}) - \text{module}(\text{block count})$.

If the Read Multiple command is attempted before the Set Multiple Mode command has been executed or when Read Multiple commands are disabled, the Read Multiple operation is rejected with an Aborted Command error. Disk errors encountered during Read Multiple commands are posted at the beginning of the block or partial block transfer, but DRQ is still set and the data transfer will take place as it normally would, including transfer of corrupted data, if any.

Interrupts are generated when DRQ is set at the beginning of each block or partial block. The error reporting is the same as that on a Read Sector(s) Command. This command reads from 1 to 256 sectors as specified in the Sector Count register. A sector count of 0 requests 256 sectors. The transfer begins at the sector specified in the Sector Number Register.

At command completion, the Command Block registers contain the cylinder, head and sector number of the last sector read.

If an error occurs, the read terminates at the sector where the error occurred. The Command Block registers contain the cylinder, head and sector number of the sector where the error occurred. The flawed data is pending in the sector buffer.

Subsequent blocks or partial blocks are transferred only if the error was a correctable data error. All other errors cause the command to stop after transfer of the block that contained the error.

5.1.12 Read Long Sector—22H, 23H

The Read Long command performs similarly to the Read Sector(s) command except that it returns 516 bytes of data instead of 512 bytes. During a Read Long command, the card does not check the ECC bytes to determine if there has been a data error. Only single sector read long operations are supported. The transfer consists of 512 bytes of data transferred in word mode followed by 4 bytes of random data transferred in byte mode. Random data is returned instead of ECC bytes because of the nature of the ECC system used. This command has the same protocol as the Read Sector(s) command.

Table 5-19 Read Long Sector

Bit	7	6	5	4	3	2	1	0
Command (7)	22H or 23H							
C/D/H (6)	1	LBA	1	Drive	Head (LBA 27-24)			
Cyl High (5)	Cylinder High (LBA 23-16)							
Cyl Low (4)	Cylinder Low (LBA 15-8)							
Sec Num (3)	Sector Number (LBA 7-0)							
Sec Cnt (2)	X							
Feature (1)	X							

5.1.13 Read Sector(s)—20H, 21H

This command reads from 1 to 256 sectors as specified in the Sector Count Register. A sector count of 0 requests 256 sectors. The transfer begins at the sector specified in the Sector Number Register. When this command is issued and after each sector of data (except the last one) has been read by the host, the CompactFlash card sets BSY, puts the sector of data in the buffer, sets DRQ, clears BSY, and generates an interrupt. The host then reads the 512 bytes of data from the buffer.

At command completion, the Command Block registers contain the cylinder, head and sector number of the last sector read. If an error occurs, the read terminates at the sector where the error occurred. The Command Block registers contain the cylinder, head, and sector number of the sector where the error occurred. The flawed data is pending in the sector buffer.

Table 5-20 Read Sector(s)

Bit	7	6	5	4	3	2	1	0
Command (7)	20H or 21H							
C/D/H (6)	1	LBA	1	Drive	Head (LBA 27-24)			
Cyl High (5)	Cylinder High (LBA 23-16)							
Cyl Low (4)	Cylinder Low (LBA 15-8)							
Sec Num (3)	Sector Number (LBA 7-0)							
Sec Cnt (2)	Sector Count							
Feature (1)	X							

5.1.14 Read Verify Sector(s)—40H, 41H

This command is identical to the Read Sectors command, except that DRQ is never set and no data is transferred to the host. When the command is accepted, the card sets BSY.

When the requested sectors have been verified, the card clears BSY and generates an interrupt. Upon command completion, the Command Block registers contain the cylinder, head, and sector number of the last sector verified.

If an error occurs, the verify terminates at the sector where the error occurs. The Command Block registers contain the cylinder, head and sector number of the sector where the error occurred. The Sector Count Register contains the number of sectors not yet verified.

Table 5-21 Read Verify Sector(s)

Bit	7	6	5	4	3	2	1	0
Command (7)	40H or 41H							
C/D/H (6)	1	LBA	1	Drive	Head (LBA 27-24)			
Cyl High (5)	Cylinder High (LBA 23-16)							
Cyl Low (4)	Cylinder Low (LBA 15-8)							
Sec Num (3)	Sector Number (LBA 7-0)							
Sec Cnt (2)	Sector Count							
Feature (1)	X							

5.1.15 Recalibrate—1XH

This command is effectively a NOP command to the CompactFlash Memory Card and is provided for compatibility purposes. After this command is executed the Cyl High and Cyl Low as well as the Head number will be 0 and Sec Num will be 1 if LBA=0 and 0 if LBA=1 (i.e., the first block in LBA is 0 while CHS mode the sector number starts at 1).

Table 5-22 Recalibrate

Bit	7	6	5	4	3	2	1	0
Command (7)	1XH							
C/D/H (6)	1	LBA	1	Drive	X			
Cyl High (5)	X							
Cyl Low (4)	X							
Sec Num (3)	X							
Sec Cnt (2)	X							
Feature (1)	X							

5.1.16 Request Sense—03H

This command requests an extended error code after a command ends with an error.

Table 5-23 Request Sense

Bit	7	6	5	4	3	2	1	0
Command (7)	03H							
C/D/H (6)	1	X	1	Drive	X			
Cyl High (5)	X							
Cyl Low (4)	X							
Sec Num (3)	X							
Sec Cnt (2)	X							
Feature (1)	X							

Table 5-24 defines the valid extended error codes for the CompactFlash Memory Card Series product. The extended error code is returned to the host in the Error Register. This command must be the next command issued to the card following the command that returned an error.

Table 5-24 Extended Error Codes

Extended Error Code	Description
00h	No error detected
01h	Self test OK (no error)
09h	Miscellaneous error
20h	Invalid command
21h	Invalid address (requested head or sector invalid)
2Fh	Address overflow (address too large)
35h, 36h	Supply or generated voltage out of tolerance
11h	Uncorrectable ECC error
18h	Corrected ECC error
05h, 30-34h, 37h, 3Eh	Self test or diagnostic failed
10h, 14h	ID not found
3Ah	Spare sectors exhausted
1Fh	Data transfer error/aborted command
0Ch, 38h, 3Bh, 3Ch, 3Fh	Corrupted media format
03h	Write/erase failed

5.1.17 Seek-7XH

This command is effectively a NOP command to the card although it does perform a range check of cylinder and head or LBA address and returns an error if the address is out of range.

Table 5-25 Seek

Bit	7	6	5	4	3	2	1	0
Command (7)	7XH							
C/D/H (6)	1	LBA	1	Drive	Head (LBA 27-24)			
Cyl High (5)	Cylinder High (LBA 23-16)							
Cyl Low (4)	Cylinder Low (LBA 15-8)							
Sec Num (3)	Sector Number (LBA 7-0)							
Sec Cnt (2)	X							
Feature (1)	X							

5.1.18 Set Features–EFH

This command is used by the host to establish or select certain features.

Table 5-26 Set Features

Bit	7	6	5	4	3	2	1	0
Command (7)	EFH							
C/D/H (6)		X		Drive			X	
Cyl High (5)					X			
Cyl Low (4)					X			
Sec Num (3)					X			
Sec Cnt (2)						Config		
Feature (1)								Feature

Table 5-27 defines all features that are supported. The 9AH feature is unique to CompactFlash Memory cards and are not part of the ATA Specification.

Table 5-27 Features Supported

Feature	Operation
01h	Enable 8-bit data transfer
02h	Enable Write Cache
03h	Set Transfer Mode based on value and Sector Count register.
55h	Disable Read Look Ahead
66h	Disable Power on Reset (POR) establishment of defaults at Soft Reset
69h	Accepted for backward compatibility with the SDP Series but has no impact on the CF Memory Card.
81h	Disable 8-bit data transfer
96h	Accepted for backward compatibility with the SDP Series but has no impact on the CF Memory Card
9Ah	Accepted for backward compatibility with the SDP Series but has no impact on the CF Memory Card
BBh	4 bytes of data apply on Read/Write Long commands
CCh	Enable Power on Reset (POR) establishment of defaults at Soft Reset.

Features 01H and 81H are used to enable and clear 8-bit data transfer mode. If the 01H feature command is issued, all data transfers will occur on the low order D7-D0 data bus and the IOIS16 signal will not be asserted for data register accesses.

A host can choose the transfer mechanism by Set Transfer Mode and specifying a value in the Sector Count register. The upper 5 bits define the type of transfer and the low order 3 bits encode the mode value.

Mode	Value
PIO Default Transfer Mode	00000 00d
PIO Flow Control Transfer Mode x	00001 nnn
Multiword DMA Mode x	00100 nnn
Reserved	01000 nnn
Reserved	10000 nnn

Where “nnn” is a valid mode number in binary; “x” is the mode number in decimal for the associated transfer type; and “d” is ignored.

Features 55H and BBH are the default features for CompactFlash cards; thus, the host does not have to issue this command with these features unless it is necessary for compatibility reasons.

The 9AH Feature is accepted for backward compatibility with the SDP Series but has no impact on the card. SanDisk does not recommend the use of this command in new designs.

Features 66H and CCH can be used to enable and disable whether the Power On Reset (POR) Defaults will be set when a soft reset occurs. The default setting is to revert to the POR defaults when a soft reset occurs. POR defaults the number of heads and sectors along with 16 bit data transfers and the read/write multiple block count.

5.1.19 Set Multiple Mode—C6H

This command enables the card to perform Read and Write Multiple operations and establishes the block count for these commands. The Sector Count Register is loaded with the number of sectors per block. The current version of the card supports only a block size of 1 sector per block. Future versions may support larger block sizes. Upon receipt of the command, the card sets BSY to 1 and checks the Sector Count Register.

If the Sector Count Register contains a valid value and the block count is supported, the value is loaded for all subsequent Read Multiple and Write Multiple commands and execution of those commands is enabled. If a block count is not supported, an Aborted Command error is posted, and Read Multiple and Write Multiple commands are disabled. If the Sector Count Register contains 0 when the command is issued, Read and Write Multiple commands are disabled. At power on, or after a hardware or (unless disabled by a Set Feature command) software reset, the default mode is Read and Write Multiple disabled.

Table 5-28 Set Multiple Mode

Bit	7	6	5	4	3	2	1	0
Command (7)	C6H							
C/D/H (6)	X		Drive		X			
Cyl High (5)	X							
Cyl Low (4)	X							
Sec Num (3)	X							
Sec Cnt (2)	Sector Count							
Feature (1)	X							

5.1.20 Set Sleep Mode—99H, E6H

This command causes the card to set BSY, enter the Sleep mode, clear BSY and generate an interrupt. Recovery from sleep mode is accomplished by simply issuing another command (a reset is permitted but not required). Sleep mode is also entered when internal timers expire so the host does not need to issue this command except when it wishes to enter Sleep mode immediately. The default value for the read to sleep timer is 5 milliseconds. This time base (5 msec) is different from the ATA Specification.

Table 5-29 Set Multiple Mode

Bit	7	6	5	4	3	2	1	0
Command (7)	99H or E6H							
C/D/H (6)	X		Drive		X			
Cyl High (5)	X							
Cyl Low (4)	X							
Sec Num (3)	X							
Sec Cnt (2)	X							
Feature (1)	X							

5.1.21 Standby–96H, E2H

This command causes the card to set BSY, enter the Sleep mode (which corresponds to the ATA "Standby" Mode), clear BSY and return the interrupt immediately. Recovery from sleep mode is accomplished by simply issuing another command (reset is not required).

Table 5-30 Standby

Bit	7	6	5	4	3	2	1	0
Command (7)	E2H or 96H							
C/D/H (6)		X		Drive			X	
Cyl High (5)					X			
Cyl Low (4)					X			
Sec Num (3)					X			
Sec Cnt (2)					X			
Feature (1)					X			

5.1.22 Standby Immediate–94H, E0H

This command causes the card to set BSY, enter the Sleep mode (which corresponds to the ATA "Standby" Mode), clear BSY and return the interrupt immediately. Recovery from sleep mode is accomplished by simply issuing another command (reset is not required).

Table 5-31 Standby Immediate

Bit	7	6	5	4	3	2	1	0
Command (7)	E0H or 94H							
C/D/H (6)		X		Drive			X	
Cyl High (5)					X			
Cyl Low (4)					X			
Sec Num (3)					X			
Sec Cnt (2)					X			
Feature (1)					X			

5.1.23 Translate Sector–87H

When this command is issued, the controller responds with a 512-byte buffer of information on the desired cylinder, head and sector with the actual Logical Address.

Table 5-32 Translate Sector

Bit	7	6	5	4	3	2	1	0
Command (7)	87H							
C/D/H (6)	1	LBA	1	Drive			Head (LBA 27-24)	
Cyl High (5)							Cylinder High (LBA 23-16)	
Cyl Low (4)							Cylinder Low (LBA 15-8)	
Sec Num (3)							Sector Number (LBA 7-0)	
Sec Cnt (2)						X		
Feature (1)						X		

Table 5-33 represents the information in the buffer. This command is unique to SanDisk CompactFlash Memory cards.

Table 5-33 Translate Sector Information

Address	Information
00	Head
01-02	Cylinder
03	Sector
04-07	LBA
08	Chip
09-0A	Block
0B	Page
0C-1FF	Reserved

5.1.24 Wear Level–F5H

This command is effectively a NOP command and only implemented for backward compatibility with earlier SanDisk SDP series products. The Sector Count Register will always be returned with an 00H indicating Wear Level is not needed.

Table 5-34 Wear Level

Bit	7	6	5	4	3	2	1	0	
Command (7)	F5H								
C/D/H (6)	X	X	X	Drive	Flag				
Cyl High (5)					X				
Cyl Low (4)					X				
Sec Num (3)					X				
Sec Cnt (2)	Completion Status								
Feature (1)					X				

5.1.25 Write Buffer–E8H

The Write Buffer command enables the host to overwrite contents of the card's sector buffer with any data pattern desired. This command has the same protocol as the Write Sector(s) command and transfers 512 bytes.

Table 5-35 Write Buffer

Bit	7	6	5	4	3	2	1	0	
Command (7)	E8H								
C/D/H (6)	X			Drive	X				
Cyl High (5)					X				
Cyl Low (4)					X				
Sec Num (3)					X				
Sec Cnt (2)					X				
Feature (1)					X				

5.1.26 Write DMA Command—CAH, CBH

The Write DMA command in Table 5-33 executes in a similar manner to WRITE SECTOR(S) except for the following:

- The host initialised the DMA channel prior to issuing the command.
- Data transfers are qualified by DMARQ and are performed by the DMA channel.
- The device issues only one interrupt per command to indicate that data transfer has terminated and status is available.

During the execution of a Write DMA command, the device provides status of the BSY bit or the DRQ bit until the command is completed.

Table 5-36 Write DMA Command

Bit	7	6	5	4	3	2	1	0
Command (7)	CAH or CBH							
C/D/H (6)	1	LBA	1	Drive	Head (LBA 27-24)			
Cyl High (5)	Cylinder High (LBA 23-16)							
Cyl Low (4)	Cylinder Low (LBA 15-8)							
Sec Num (3)	Sector Number (LBA 7-0)							
Sec Cnt (2)	Sector Count							
Feature (1)	X							

5.1.27 Write Long Sector—32H, 33H

This command is provided for compatibility purposes and is similar to the Write Sector(s) command except that it writes 516 bytes instead of 512 bytes. Only single sector Write Long operations are supported. The transfer consists of 512 bytes of data transferred in word mode followed by 4 bytes of ECC transferred in byte mode. Because of the unique nature of the solid-state CompactFlash Memory Card, the four bytes of ECC transferred by the host cannot be used by it. The card discards these four bytes and writes the sector with valid ECC fields. This command has the same protocol as the Write Sector(s) command.

Table 5-37 Write Long Sector

Bit	7	6	5	4	3	2	1	0
Command (7)	32H or 33H							
C/D/H (6)	1	LBA	1	Drive	Head (LBA 27-24)			
Cyl High (5)	Cylinder High (LBA 23-16)							
Cyl Low (4)	Cylinder Low (LBA 15-8)							
Sec Num (3)	Sector Number (LBA 7-0)							
Sec Cnt (2)	X							
Feature (1)	X							

5.1.28 Write Multiple Command—C5H

This command is similar to the Write Sectors command. The card sets BSY within 400 nsec of accepting the command. Interrupts are not presented on each sector but on the transfer of a block that contains the number of sectors defined by Set Multiple. Command execution is identical to the Write Sectors operation except that the number of sectors defined by the Set Multiple command is transferred without intervening interrupts.

DRQ qualification of the transfer is required only at the start of the data block, not on each sector. The block count of sectors to be transferred without intervening interrupts is programmed by the Set Multiple Mode command, which must be executed prior to the Write Multiple command.

Table 5-38 Write Multiple Command

Bit	7	6	5	4	3	2	1	0
Command (7)	C5H							
C/D/H (6)	X	LBA	X	Drive	Head			
Cyl High (5)	Cylinder High							
Cyl Low (4)	Cylinder Low							
Sec Num (3)	Sector Number							
Sec Cnt (2)	Sector Count							
Feature (1)	X							

When the Write Multiple command is issued, the Sector Count Register contains the number of sectors (not the number of blocks or the block count) requested. If the number of requested sectors is not evenly divisible by the sector/block, as many full blocks as possible are transferred, followed by a final, partial block transfer. The partial block transfer is for n sectors, where: $n = \text{remainder}(\text{sector count}/\text{block count})$.

If the Write Multiple command is attempted before the Set Multiple Mode command has been executed or when Write Multiple commands are disabled, the Write Multiple operation will be rejected with an aborted command error.

Errors encountered during Write Multiple commands are posted after the attempted writes of the block or partial block transferred. The Write command ends with the sector in error, even if it is in the middle of a block. Subsequent blocks are not transferred in the event of an error. Interrupts are generated when DRQ is set at the beginning of each block or partial block.

The Command Block registers contain the cylinder, head and sector number of the sector where the error occurred and the Sector Count Register contains the residual number of sectors that need to be transferred for successful completion of the command e.g., each block has 4 sectors, a request for 8 sectors is issued and an error occurs on the third sector. The Sector Count Register contains 6 and the address is that of the third sector.

5.1.29 Write Multiple without Erase—CDH

SanDisk does not recommend the use of this command in new designs but it is supported as a normal Write Sectors command for backward compatibility reasons.

Table 5-39 Write Multiple w/out Erase

Bit	7	6	5	4	3	2	1	0
Command (7)	CDH							
C/D/H (6)	X	LBA	X	Drive	Head			
Cyl High (5)	Cylinder High							
Cyl Low (4)	Cylinder Low							
Sec Num (3)	Sector Number							
Sec Cnt (2)	Sector Count							
Feature (1)	X							

5.1.30 Write Sector(s)—30H, 31H

This command writes from 1 to 256 sectors as specified in the Sector Count Register. A sector count of zero requests 256 sectors. The transfer begins at the sector specified in the Sector Number Register. When this command is accepted, the card sets BSY, then sets DRQ and clears BSY, then waits for the host to fill the sector buffer with the data to be written. No interrupt is generated to start the first buffer fill operation. No data should be transferred by the host until BSY has been cleared by the host.

For multiple sectors, after the first sector of data is in the buffer, BSY will be set and DRQ will be cleared. After the next buffer is ready for data, BSY is cleared, DRQ is set and an interrupt is generated. When the final sector of data is transferred, BSY is set and DRQ is cleared. It will remain in this state until the command is completed at which time BSY is cleared and an interrupt is generated.

If an error occurs during a write of more than one sector, writing terminates at the sector where the error occurs. The Command Block registers contain the cylinder, head and sector number of the sector where the error occurred. The host may then read the command block to determine what error has occurred, and on which sector.

Table 5-40 Write Sector(s)

Bit	7	6	5	4	3	2	1	0
Command (7)	30H or 31H							
C/D/H (6)	1	LBA	1	Drive	Head (LBA 27-24)			
Cyl High (5)	Cylinder High (LBA 23-16)							
Cyl Low (4)	Cylinder Low (LBA 15-8)							
Sec Num (3)	Sector Number (LBA 7-0)							
Sec Cnt (2)	Sector Count							
Feature (1)	X							

5.1.31 Write Sector(s) without Erase–38H

SanDisk does not recommend the use of this command in new designs but it is supported as a normal Write Sectors command for backward compatibility reasons.

Table 5-41 Write Sector(s) w/out Erase

Bit	7	6	5	4	3	2	1	0
Command (7)	38H							
C/D/H (6)	1	LBA	1	Drive	Head (LBA 27-24)			
Cyl High (5)	Cylinder High (LBA 23-16)							
Cyl Low (4)	Cylinder Low (LBA 15-8)							
Sec Num (3)	Sector Number (LBA 7-0)							
Sec Cnt (2)	Sector Count							
Feature (1)	X							

5.1.32 Write Verify Sector(s)–3CH

This command writes from 1 to 256 sectors as specified in the Sector Count Register. A sector count of zero requests 256 sectors. The transfer begins at the sector specified in the Sector Number Register. When this command is accepted, the card sets BSY, then sets DRQ and clears BSY, then waits for the host to fill the sector buffer with the data to be written. No interrupt is generated to start the first buffer fill operation. No data should be transferred by the host until BSY has been cleared by the host.

For multiple sectors, after the first sector of data is in the buffer, BSY will be set and DRQ will be cleared. After the next buffer is ready for data, BSY is cleared, DRQ is set and an interrupt is generated. When the final sector of data is transferred, BSY is set and DRQ is cleared. It will remain in this state until the command is completed at which time BSY is cleared and an interrupt is generated.

Table 5-42 Write Verify Sector(s)

Bit	7	6	5	4	3	2	1	0
Command (7)	3CH							
C/D/H (6)	1	LBA	1	Drive	Head (LBA 27-24)			
Cyl High (5)	Cylinder High (LBA 23-16)							
Cyl Low (4)	Cylinder Low (LBA 15-8)							
Sec Num (3)	Sector Number (LBA 7-0)							
Sec Cnt (2)	Sector Count							
Feature (1)	X							

If an error occurs during a write of more than one sector, writing terminates at the sector where the error occurs. The Command Block registers contain the cylinder, head and sector number of the sector where the error occurred. The host may then read the command block to determine what error has occurred, and on which sector.

5.2 Error Posting

Table 5-43 summarizes the valid status and error value for all the ATA command set.

Table 5-43 Error and Status Register^a

Command	Error Register					Status Register				
	BBK	UNC	IDNF	ABRT	AMNF	DRDY	DWF	DSC	CORR	ERR
Check Power Mode	-	-	-	V	-	V	V	V	-	V
Execute Drive Diagnostic	-	-	-	-	-	V	-	V	-	V
Erase Sector(s)	V	-	V	V	V	V	V	V	-	V
Format Track	-	-	V	V	V	V	V	V	-	V
Identify Device	-	-	-	V	-	V	V	V	-	V
Idle	-	-	-	V	-	V	V	V	-	V
Idle Immediate	-	-	-	V	-	V	V	V	-	V
Initialize Drive Parameters	-	-	-	-	-	V	-	V	-	V
Read Buffer	-	-	-	V	-	V	V	V	-	V
Read DMA ^b	V	V	V	V	V	V	V	V	V	V
Read Multiple	V	V	V	V	V	V	V	V	V	V
Read Long Sector	V	-V	V	V	V	V	V	V	-	V
Read Sector(s)	V	V	V	V	V	V	V	V	V	V
Read Verify Sectors	V	V	V	V	V	V	V	V	V	V
Recalibrate	-	-	-	V	-	V	V	V	-	V
Request Sense	-	-	-	V	-	V	-	V	-	V
Seek	-	-	V	V	-	V	V	V	-	V
Set Features	-	-	-	V	-	V	V	V	-	V
Set Multiple Mode	-	-	-	V	-	V	V	V	-	V
Set Sleep Mode	-	-	-	V	-	V	V	V	-	V
Standby	-	-	-	V	-	V	V	V	-	V
Standby Immediate	-	-	-	V	-	V	V	V	-	V
Translate Sector	V	-	V	V	V	V	V	V	-	V
Wear Level	V	V	V	V	V	V	V	V	-	V
Write Buffer	-	-	-	V	-	V	V	V	-	V
Write DMA	V	-	V	V	-	V	V	-	-	V
Write Long Sector	V	-	V	V	V	V	V	V	-	V
Write Multiple	V	-	V	V	V	V	V	V	-	V
Write Multiple w/o Erase	V	-	V	V	V	V	V	V	-	V
Write Sector(s)	V	-	V	V	V	V	V	V	-	V
Write Sector(s) w/o Erase	V	-	V	V	V	V	V	V	-	V
Write Verify Sector(s)	V	-	V	V	V	V	V	V	-	V
Invalid Command Code	-	-	-	V	-	V	V	V	-	V

a. V = Valid on this command.

b. CompactFlash products support multiword DMA.

–This page intentionally left blank–

This section describes the Card Information Structure (CIS) for SanDisk CompactFlash Memory cards.

Table 6-1 Card Information Structure

Attribute Offset	Data	7	6	5	4	3	2	1	0	Content Description	CIS Function
000h	01h	CISTPL_DEVICE								Device Info Tuple	Tuple Code
002h	04h									Link is 4 bytes	Link to next tuple
004h	DFh	Dev ID Type Dh = I/O			W 1	Speed 7h = Ext			I/O Device, Wait State, Extended Speed		Device ID, WPS, Speed
006h	12h	X	Speed Mantissa = 2h			Speed Exponent = 2h			120 ns if no wait	Extended Speed	
	79h Extreme III	X	Speed Mantissa = Fh			Speed Exponent = 1h			80 ns if no wait	Extended Speed	
008h	01h	# Address Unit – 1 = 1x				Side Code = 2k units			(One) 2 kB of Address Space	Device Size	
00Ah	FFh	List End Marker								End of Devices	End Marker
00Ch	1Ch	CISTPL_DEVICE_OC								Other Conditions Info Tuple	Tuple Code
00Eh	04h									Link is 4 Bytes	Link to Next Tuple
010h	03h	Reserved = 0				V _{CC}		W A I T	Conditions: 3V operation is allowed and WAIT is used		3 V Operation, Wait Function
012h	D9h	Dev ID Type Dh = I/O			W 1	Speed = 1h			I/O Device, WPS, Speed = 250 ns	Device ID, WPS, Speed	
014h	01h	# Address Unit – 1 = 1x				Side Code = 2k units			2 kB of Address Space	Device Size	
016h	FFh	List End Marker								End of Devices	End Marker
018h	18h	CISTPL_JEDEC_C								JEDEC ID Common Memory	Tuple Code
01Ah	02h									Link is 2 bytes	Link Length
01Ch	DFh	PCMCIA JEDEC Manufacturer's ID								First byte of JEDEC ID for SanDisk PC Card ATA 12V	Byte 1, JEDEC ID of Device 1 (0-2K)
01Eh	01h	PCMCIA Code for PC Card-ATA No Vpp Required								Second Byte of JEDEC ID	Byte 2, JEDEC ID
020h	20h	CISTPL_MANFID								Manufacturer's ID Tuple	Tuple Code
022h	04h									Link is 4 bytes	Link Length
024h	45h	Low Byte of PCMCIA Manufacturer's Code								SanDisk JEDEC Manufacturer's ID	Low Byte of PCMCIA Mfg ID

Table 6-1 Card Information Structure

Attribute Offset	Data	7	6	5	4	3	2	1	0	Content Description	CIS Function
026h	00h	High Byte of PCMCIA Manufacturer's Code								Code of 0 because other byte is JEDEC 1 byte Manufacturer's ID	High Byte of PCMCIA Mfg ID
028h	01h	Low Byte of Product Code								SanDisk Code for SDP Series	Low Byte Product Code
02Ah	04h	High Byte of Product Code								SanDisk Code for PC Card ATA	High Byte Product Code
02Ch	15h	CISTPL_VER_1								Level 1 Version/Product Info	Tuple Code
02Eh	17h									Link to next tuple is 23 bytes	Link Length
030h	04h	TPPLV1_MAJOR								PCMCIA 2.0/JEIDA 4.1	Major Version
032h	01h	TPPLV1_MINOR								PCMCIA 2.0/JEIDA 4.1	Minor Version
034h	53h	ASCII Manufacturer String								'S'	String 1
036h	61h									'a'	
038h	6Eh									'n'	
03Ah	44h									'D'	
03Ch	69h									'i'	
03Eh	73h									's'	
040h	6Bh									'k'	
042h	00h	End of Manufacturer String								Null Terminator	
044h	53h	ASCII Product Name String								'S'	Info String 2
046h	44h									'D'	
048h	50h									'P'	
04Ah	00h	End of Product Name String								Null Terminator	
04Ch	35h									'5'	Info String 3
04Eh	2Fh									'/'	
050h	33h									'3'	
052h	20h									''	
054h	30h	SanDisk Card CIS Revision Number								'0'	
056h	2Eh									':'	
058h	36h									'6'	
05Ah	00h	End of CIS Revision Number								Null Terminator	
05Ch	FFh	End of List Marker								FFh List Terminator	No Info String 4
05Eh	80h	CISTPL_VEND_SPECIF_80								SanDisk Parameters Tuple	Tuple Code
060h	03h	(Field Bytes 3-4 taken as 0)								Link Length is 3 Bytes	Link to Next Tuple and Length of Info in this Tuple

Table 6-1 Card Information Structure

Attribute Offset	Data	7	6	5	4	3	2	1	0	Content Description	CIS Function
062h	14h	W 0	12 0	NI 1	PP 1	P D N A 0	R I A 1	R I R 0	SP 0	No Wear Level & NO Vpp W: No Wear Level 12: Vpp not used on Write NI: -INPACK connected PP: Programmable Power PDNA: Pwr Down Not Abort--Cmd RIA: RBsy, ATBsy connected RIR: RBsy Inhibited at Reset SP: No Security Present This definition applies only to cards with Manufacturer's ID tuple 1st 3 bytes 45 00 01.	SanDisk Fields, 1 to 4 Bytes limited by link length
064h	08h	R 0	R 0	R 0	R 0	E 1	TPR 0	TAR 0	R8 0	R8: 8 bit ROM present TAR: Temp Bsy on AT Reset TPR: Temp Bsy on PCMCIA – Reset E: Erase Ahead Available R: Reserved, 0 for now This definition applies only to cards with Manufacturer's ID tuple 1st 3 bytes 45 00 01.	SanDisk Fields, 1 to 4 bytes limited by link length
066h	00h										For specific platform use only
068h	21h	CISTPL_FUNCID								Function ID Tuple	Tuple Code
06Ah	02h									Link Length is 2 Bytes	Link to Next Tuple
06Ch	04h	Function Type Code								Disk Function	Function Code
06Eh	01h	R 0	R 0	R 0	R 0	R 0	R 0	R 0	P 1	Attempt installation at POST: P: Install at POST R: Reserved (0)	
070h	22h	CISTPL_FUNC								Function Extension Tuple	Tuple Code
072h	02h									Link Length is 2 Bytes	Link to Next Tuple

Table 6-1 Card Information Structure

Attribute Offset	Data	7	6	5	4	3	2	1	0	Content Description	CIS Function
074h	01h	Disk Function Extension Tuple Type								Extension Tuple describes the Interface Protocol	Extension Tuple Type for Disk
076h	01h	Interface Type Code								PC Card-ATA Interface	Extension Info
078h	22h	CISTPL_FUNCCE								Function Extension tuple	Tuple Code
07Ah	03h									Tuple has 3 Info Bytes	Link Length
07Ch	02h	Disk Function Extension Tuple Type								Basic PCMCIA-ATA Extension Tuple	Extension Tuple Type for Disk
07Eh	0Ch	R 0	R 0	R 0	R 0	U 1	S 1	V 0		Unique Manufacturer/Serial Number combined string: V = 0: No Vpp Required V = 1: Vpp on Modified Media V = 2: Vpp on Any Operation V = 3: Vpp Continuous S: Silicon, else Rotating Drive U: ID Drive Mfg/SN Unique	Basic ATA Option Parameters
080h	0Fh	R 0	I 0	E 0	N 0	P3 1	P2 1	P1 1	P0 1	All power-down modes and power commands are not needed to minimize power. P0: Sleep Mode Supported P1: Standby Mode Supported P2: Idle Mode Supported P3: Drive Auto Power Control N: Some Config Excludes 3X7 E: Index Bit is Emulated I: Twin-IOis16 Data Reg Only	Extended ATA Option Parameters
082h	1Ah	CISTPL_CONF								Configuration Tuple	Tuple Code
084h	05h									Link Length is 5 Bytes	Link to Next Tuple

Table 6-1 Card Information Structure

Attribute Offset	Data	7	6	5	4	3	2	1	0	Content Description	CIS Function			
086h	01h	RFS 00			RMS 00		RAS 01			Size of Reserved Field is 0 Bytes Size of Register Mask is 1 Byte Size of Config Base Address is 2 Bytes RFS: Bytes in Reserved Field RMS: Bytes in Reg Mask-1 RAS: Bytes in Base Addr-1	Size of Fields Byte (TPCC_SZ)			
088h	07h	TPCC_LAST									Entry with Config Index 07h is final entry in table	Last Entry of Config. Table		
08Ah	00h	TPCC_RADR (LSB)									Configuration Registers located at 200h in Reg. Space	Location of Config. Registers		
08Ch	02h	TPCC_RADR (MSB)												
08Eh	0Fh	R 0	R 0	R 0	R 0	S 1	P 1	C 1	I 1	First (4) Configuration Registers are present: I: Configuration Index C: Configuration and Status P: Pin Replacement S: Socket and Copy R: Reserved for future use	TPCC_RMSK			
090h	1Bh	CISTPL_CE									Configuration Entry Tuple	Tuple Code		
092h	0Bh										Link to Next Tuple is 11 Bytes. Also limits size of this tuple to 13 bytes.	Link to Next Tuple		
094h	C0h	I 1	D 1	Configuration Index 0									Memory Mapped I/O Configuration Configuration Index for this entry is 0. Interface Byte follows this byte. Default Configuration, so is not dependent on previous Default Configuration. D: Default Configuration I: Interface Byte follows	TPCE_INDX

Table 6-1 Card Information Structure

Attribute Offset	Data	7	6	5	4	3	2	1	0	Content Description	CIS Function
096h	C0h	W 1	R 1	P 0	B 0	Interface Type				Memory Only Interface(0), Bvd's and wProt not used, Ready/-Busy and Wait for memory cycles active. B: Battery Volt Detects Used P: Write Protect Used R: Ready/-Busy Used W: Wait Used for Memory Cycles	TPCE_IF
098h	A1h	M 1	MS 1	IR 0	IO 0	T 0	P 1			V _{CC} only Power; No Timing, I/O, or IRQ; 2 Byte Memory Space Length; Misc Entry Present. P: Power Info type T: Timin Info present IO :I/O Port Info present IR: Interrupt Info present MS: Mem Space Info type M: Misc Info Byte(s) present	TPCE_FS
09Ah	27h	R 0	DI 0	PI 1	AI 0	SI 0	HV 1	LV 1	NV 1	Nominal Voltage follows: NV: Nominal Voltage LV: Mimimum Voltage HB: Maximum Voltage SI: Static Current AI: Average Current PI: Peak Current DI: Power Down Current	Power Parameters for V _{CC}
09Ch	55h	X 0	Mantissa Ah = 5.0			Exponent 5h = 1V			V _{CC} Nominal is 5 V		V _{CC} Nominal Value
09Eh	4Dh	X 0	Mantissa 9h = 4.5			Exponent 5h = 1V			V _{CC} Nominal is 4.5 V		V _{CC} Min. Value
0A0h	5Dh	X 0	Mantissa Bh = 5.5			Exponent 5h = 1V			V _{CC} Nominal is 5.5 V		V _{CC} Max. Value
0A2h	75h	X 0	Mantissa Eh = 8.0			Exponent 5h = 10			Max. Average Current over 10 ms is 80 mA		Max. Average Current
0A4h	08h	Length in 256 Bytes Pages (LSB)								Length of Memory Space is 2 kB	TPCE_MS Length LSB
0A6h	00h	Length in 256 Bytes Pages (MSB)								Start at 0 on card	TPCE_MS Length MSB

Table 6-1 Card Information Structure

Attribute Offset	Data	7	6	5	4	3	2	1	0	Content Description	CIS Function	
0A8h	21h	X 0	R 0	P 1	RO 0	A 0	T 1			Power-Down and Twin Card. T: Twin Cards Allowed A: Audio Supported RO: Read Only Mode P: Power Down Supported R: Reserved X: More Miscellaneous Fields Bytes	TPCE_MI	
0AAh	1Bh	CISTPL_CE								Configuration Entry Tuple	Tuple Code	
0ACh	06h									Link to Next Tuple is 6 Bytes. Also limits size of this tuple to 8 bytes.	Link to Next Tuple	
0AEh	00h	I 0	D 0	Configuration Index 0						Memory Mapped I/O 3.3V Configuration.	TPCE_INDX	
0B0h	01h	M 0	MS 0		IR 0	IO 0	T 0	P 1		P: Power Info type	TPCE_FS	
0B2h	21h	R 0	DI 0	PI 1	AI 0	SI 0	H 0	LV 0	NV 1	PI: Peak Current NV: Nominal Operation Supply Voltage	TPCE_PD	
0B4h	B5h	X 1	Mantissa 6h = 3.0				Exponent 5h = 10			Nominal Operation Supply Voltage = 3.0V	Nominal Operation Supply Voltage	
0B6h	1Eh	X 0	1Eh								+30	Nominal Operation Supply Voltage Extension Byte
0B8h	4Dh	X 0	Mantissa 9h = 4.5				Exponent 5h = 10			Max. Average Current over 10 ms is 45 mA	Max. Average Current	
0BAh	1Bh	CISTPL_CE								Configuration Entry Tuple	Tuple Code	
0BCh	0Dh									Link to Next Tuple is 13 Bytes. Also limits size of this tuple to 15 bytes.	Link to Next Tuple	

Table 6-1 Card Information Structure

Attribute Offset	Data	7	6	5	4	3	2	1	0	Content Description	CIS Function
0BEh	C1h	I 1	D 1	Configuration Index 1						I/O Mapped Contiguous 16 Registers Configuration. Configuration Index for this entry is 1. Interface Byte follows this byte. Default Configuration, therefore is not dependent on previous Default Configuration. D: Default Configuration I: Interface Byte follows	TPCE_INDIX
0C0h	41h	W 0	R 1	P 0	B 0	Interface Type 1				I/O Interface(1), Bvd's and wProt not used; Ready/-Busy active but Wait not used for memory cycles. B: Battery Volt Detects Used P: Write Protect Used R: Ready/-Busy Used W: Wait Used for Memory Cycles	TPCE_IF
0C2h	99h	M 1	MS 0	IR 1	IO 1	T 0	P 1			V _{CC} Only Power Descriptors: No Timing; I/O and IRQ present; No Memory Space; Misc Entry Present P: Power Info type T: Timing Info present IO :I/O Port Info present IR: Interrupt Info present MS: Memory Space Info type M: Misc Info Byte(s) present	TPCE_FS
0C4h	27h	R 0	DI 0	PI 1	AI 0	SI 0	HV 1	LV 1	NV 1	Nominal Voltage Follows NV: Nominal Voltage LV: Mimimum Voltage HB: Maximum Voltage SI: Static Current AI: Average Current PI: Peak Current DI: Power Down Current	Power Parameters for V _{CC}
0C6h	55h	X 0	Mantissa Ah = 5.0				Exponent 5h = 1V			V _{CC} Nominal is 5V	V _{CC} Nominal Value

Table 6-1 Card Information Structure

Attribute Offset	Data	7	6	5	4	3	2	1	0	Content Description	CIS Function
0C8h	4Dh	X 0	Mantissa 9h = 4.5			Exponent 5h = 1V			V _{CC} Nominal is 4.5V		V _{CC} Min. Value
0CAh	5Dh	X 0	Mantissa Bh = 5.5			Exponent 5h = 1V			V _{CC} Nominal is 5.5V		V _{CC} Max. Value
0CCh	75h	X 0	Mantissa Eh = 8.0			Exponent 5h = 10			Max. Average Current over 10 ms is 80 mA		Max. Average Current
0CEh	64h	R 0	S 1	E 1	IO AddrLines 4					Supports both 8 and 16 bit I/O hosts. 4 Address lines & no range so 16 registers and host must do all of the selection decoding. IO AddrLines:#lines decoded. E: 8-bit Only Hosts Supported S: 16-bit Hosts Supported R: Range follows	TPCE_IO
0D0h	F0h	S 1	P 1	L 1	M 1	V 0	B 0	I 0	N 0	IRQ Sharing Logic Active in Card Control & Status Register, Pulse and Level Mode Interrupts supported, Recommended IRQ's any of 0 through 15(F) S: Share Logic Active P: Pulse Mode IRQ Supported L: Level Mode IRQ Supported M: Bit Mask of IRQs Present V: Vendor Unique IRQ B: Bus Error IRQ I: IO Check IRQ N: Non-Maskable IRQ	TPCE_IR
0D2h	FFh	7 1	6 1	5 1	4 1	3 1	2 1	1 1	0 1	IRQ Levels to be routed 0 - 15 recommended.	TPCE_IR Mask Extension Byte 1
0D4h	FFh	F 1	E 1	D 1	C 1	B 1	A 1	9 1	8 1	Recommended routing to any "normal, maskable" IRQ.	TPCE_IR Mask Extension Byte 2

Table 6-1 Card Information Structure

Attribute Offset	Data	7	6	5	4	3	2	1	0	Content Description	CIS Function	
0D6h	21h	X 0	R 0	P 1	RO 0	A 0	T 1			Power-Down and Twin Card. T: Twin Cards Allowed A: Audio Supported RO: Read Only Mode P: Power Down Supported R: Reserved X: More Misc Fields Bytes	TPCE_MI	
0D8h	1Bh	CISTPL_CE								Configuration Entry Tuple	Tuple Code	
0DAh	06h									Link to Next Tuple is 6 Bytes. Also limits size of this tuple to 8 bytes.	Link to Next Tuple	
0DCh	01h	I 0	D 0	Configuration Index 1						I/O Mapped Contiguous 16 3.3V Configuration	TPCE_INDXX	
0DEh	01h	M 0	MS 0		IR 0	IO 0	T 0	P 1		P: Power Info type	TPCE_FS	
0E0h	21h	R 0	DI 0	PI 1	AI 0	SI 0	HV 0	LV 0	NV 1	PI: Peak Current NV: Nominal Operation Supply Voltage	Power Parameters for V _{CC}	
0E2h	B5h	X 1	Mantissa 6h = 3.0				Exponent 5h = 1			Nominal Operation Supply Voltage = 3.0V	Nominal Operation Supply Voltage	
0E4h	1Eh	X 0	1Eh								+ .30	Nominal Operation Supply Voltage Extension Byte
0E6h	4Dh	X 0	Mantissa 9h = 4.5				Exponent 5h = 10			Max. Average Current over 10 ms is 45 mA	Max. Average Current	
0E8h	1Bh	CISTPL_CE								Configuration Entry Tuple	Tuple Code	
0EAh	12h									Link to Next Tuple is 18 Bytes. Also limits size of this tuple to 20 bytes	Link to Next Tuple	
0ECh	C2h	I 1	D 1	Configuration Index 2						AT Fixed Disk Primary I/O Address Configuration Configuration Index for this entry is 2. Interface Byte follows this byte. Default Configuration	TPCE_INDXX	

Table 6-1 Card Information Structure

Attribute Offset	Data	7	6	5	4	3	2	1	0	Content Description	CIS Function
0EEh	41h	W 0	R 1	P 0	B 0	Interface Type 1				I/O Interface(1), Bvd's and wProt not used; Ready/-Busy active but Wait not used for memory cycles. B: Battery Volt Detects Used P: Write Protect Used R: Ready/-Busy Used W: Wait Used for Memory Cycles	TPCE_IF
0F0h	99h	M 1	MS 0	IR 1	IO 1	T 0	P 1			V _{CC} Only Power Description; No Timing; I/O and IRQ present; No Memory Space; Misc Entry present. P: Power Info type T: Timing Info present IO: I/O Port Info present IR: Interrupt Info present MS: Memory Space Info type M: Misc Info Byte(s) present	TPCE_FS
0F2h	27h	R 0	DI 0	PI 1	AI 0	SI 0	HV 1	LV 1	NV 1	Nominal Voltage follows: NV: Nominal Voltage LV: Minimum Voltage HB: Maximum Voltage SI: Static Current AI: Average Current PI: Peak Current DI: Power Down Current	Power Parameters for V _{CC}
0F4h	55h	X 0	Mantissa Ah = 5.0			Exponent 5h = 1V				V _{CC} Nominal is 5V	V _{CC} Nominal Value
0F6h	4Dh	X 0	Mantissa 9h = 4.5			Exponent 5h = 1V				V _{CC} Nominal is 4.5V	V _{CC} Min. Value
0F8h	5Dh	X 0	Mantissa Bh = 5.5			Exponent 5h = 1V				V _{CC} Nominal is 5.5V	V _{CC} Max. Value
0FAh	75h	X 0	Mantissa 9h = 4.5			Exponent 5h = 10				Max. Average Current over 10 ms is 80 mA	Max. Average Current

Table 6-1 Card Information Structure

Attribute Offset	Data	7	6	5	4	3	2	1	0	Content Description	CIS Function	
0FCh	EAh	R 1	S 1	E 1	IO AddLines Ah = 10					Supports both 8- and 16-bit I/O hosts. 10 Address Lines with range so card will respond only to indicated (1F0-1F7, 3F6-3F7) on A9 through A0 for I/O cycles. IO AddrLines:#lines decoded E: 8-bit Only Hosts Supported S: 16-bit Hosts Supported R: Range follows	TPCE_IO	
0FEh	61h	LS 1	AS 2	N Ranges - 1 1					Number of Ranges is 2; Size of each address is 2 bytes; size of each length is 1 byte. AS: Size of Addresses 0: No Address Present 1: 1Byte (8 bit) Addresses 2: 2Byte (16 bit) Addresses 3: 4Byte (32 bit) Addresses LS: Size of length 0: No Lengths Present 1: 1Byte (8 bit) Lengths 2: 2Byte (16 bit) Lengths 3: 4Byte (32 bit) Lengths	I/O Range Format Description		
100h	F0h	1st I/O Base Address (lsb)					First I/O Range Base is 1F0h					
102h	01h	1st I/O Base Address (msb)										
104h	07h	1st I/O Range Length - 1					8 Bytes Total ==> 1F0-1F7h					I/O Length-1
106h	F6h	2nd I/O Base Address (lsb)					2nd I/O Range Base is 3F6h					
108h	03h	2nd I/O Base Address (msb)										
10Ah	01h	2nd I/O Range Length - 1					2 Bytes Total ==> 3F6-3F7h					I/O Length-1

Table 6-1 Card Information Structure

Attribute Offset	Data	7	6	5	4	3	2	1	0	Content Description	CIS Function
10Ch	Eh	S 1	P 1	L 1	M 0	Recommend IRQ Level Eh = 14				IRQ Sharing Logic Active in Card Control & Status Register, Pulse and Level Mode Interrupts supported, Recommended IRQ's any of 0 through 15(F) S: Share Logic Active P: Pulse Mode IRQ Supported L: Level Mode IRQ Supported M: Bit Mask of IRQs Present M=0 so bits 3-0 are single level, binary encoded	TPCE_IR
10Eh	21h	X 0	R 0	P 1	RO 0	A 0	T 1			Power-Down and Twin Card. T: Twin Cards Allowed A: Audio Supported RO: Read Only Mode P: Power Down Supported R: Reserved X: More Misc Fields Bytes	TPCE_MI
110h	1Bh	CISTPL_CE								Configuration Entry Tuple	Tuple Code
112h	06h									Link to Next Tuple is 6 Bytes. Also limits size of this tuple to 8 bytes.	Link to Next Tuple
114h	02h	I 0	D 0	Configuration Index 2						AT Fixed Disk Primary I/O 3.3V Configuration	TPCE_INDX
116h	01h	M 0	MS 0		IR 0	IO 0	T 0	P 1		P: Power Info type	TPCE_FS
118h	21h	R 0	DI 0	PI 1	AI 0	SI 0	HV 0	LV 0	NV 1	PI: Peak Current NV: Nominal Operation Supply Voltage	Power Parameters for V _{CC}
11AH	B5h	X 1	Mantissa 6h = 3.0				Exponent 5h = 1			Nominal Operation Supply Voltage = 3.0V	Nominal Operation Supply Voltage

Table 6-1 Card Information Structure

Attribute Offset	Data	7	6	5	4	3	2	1	0	Content Description	CIS Function	
11Ch	1Eh	X 0	1Eh							+ .30	Nominal Operation Supply Voltage Extension Byte	
11Eh	4Dh	X 0	Mantissa 9h = 4.5				Exponent 5h = 10			Max. Average Current over 10 ms is 45 mA	Max. Average Current	
120h	1Bh	CISTPL_CE								Configuration Entry Tuple	Tuple Code	
122h	12h									Link to Next Tuple is 18 Bytes. Also limits size of this tuple to 20 bytes.	Link to Next Tuple	
124h	C3h	I 1	D 1	Configuration Index 3							AT Fixed Disk Secondary I/O Address Configuration Configuration Index for this entry is 3. Interface Byte follows this byte. Default Configuration	TPCE_INDx
126h	41h	W 0	R 1	P 0	B 0	Interface Type 1				I/O Interface(1), Bvd's and wProt not used; Ready/-Busy active but Wait not used for memory cycles. B: Battery Volt Detects Used P: Write Protect Used R: Ready/-Busy Used W: Wait Used for Memory Cycles	TPCE_IF	
128h	99h	M 1	MS 0	IR 1	IO 1	T 0	P 1			V _{CC} -Only Power Descriptors; No Timing; I/O and IRQ present; No Memory Space; Misc Entry Present. P: Power Info type T: Timing Info present IO: I/O Port Info present IR: Interrupt Info present MS: Memory Space Info type M: Misc Info Byte(s) present	TPCE_FS	

Table 6-1 Card Information Structure

Attribute Offset	Data	7	6	5	4	3	2	1	0	Content Description	CIS Function
12Ah	27h	R 0	DI 0	PI 1	AI 0	SI 0	HV 1	LV 1	NV 1	Nominal Voltage Follows NV: Nominal Voltage LV: Minimum Voltage HB: Maximum Voltage SI: Static Current AI: Average Current PI: Peak Current DI: Power Down Current	Power Parameters for V _{CC}
12Ch	55h	X 0	Mantissa Ah = 5.0			Exponent 5h = 1V			V _{CC} Nominal is 5V	V _{CC} Nominal Value	
12Eh	4Dh	X 0	Mantissa 9h = 4.5			Exponent 5h = 1V			V _{CC} Nominal is 4.5V	V _{CC} Min. Value	
130h	5Dh	X 0	Mantissa Bh = 5.5			Exponent 5h = 1V			V _{CC} Nominal is 5.5V	V _{CC} Max. Value	
132h	75h	X 0	Mantissa Eh = 1.0			Exponent 5h = 10			Max. Average Current over 10 ms is 80 mA	Max. Average Current	
134h	EAh	R 1	S 1	E 1	IO AddrLines Ah = 10					Supports both 8- and 16-bit I/O hosts. 10 Address Lines with Range so card will respond only to indicated (170-177, 376-377) on A9 through A0 for I/O cycles. IO AddrLines:#lines decoded E: 8-bit Only Hosts Supported S: 16-bit Hosts Supported R: Range follows	TPCE_IO

Table 6-1 Card Information Structure

Attribute Offset	Data	7	6	5	4	3	2	1	0	Content Description	CIS Function	
136h	61h	LS 1		AS 2						N Ranges-1 1	Number of Ranges is 2; Size of each address is 2 bytes; size of each length is 1 byte. AS: Size of Addresses 0: No Address Present 1: 1Byte (8 bit) Addresses 2: 2Byte (16 bit) Addresses 3: 4Byte (32 bit) Addresses LS: Size of length 0: No Lengths Present 1: 1Byte (8 bit) Lengths 2: 2Byte (16 bit) Lengths 3: 4Byte (32 bit) Lengths	I/O Range Format Description
138h	70h	1st I/O Base Address (LSB)						First I/O Range Base is 170h				
13Ah	01h	1st I/O Base Address (MSB)										
13Ch	07h	1st I/O Range Length-1						8 Bytes Total ==> 170-177h			I/O Length-1	
13Eh	76h	2nd I/O Base Address (LSB)						Second I/O Range Base is 376h				
140h	03h	2nd I/O Base Address (MSB)										
142h	01h	2nd I/O Range Length-1						2 Bytes Total ==> 376-377h			I/O Length-1	
144h	EEh	S 1	P 1	L 1	M 0	Recommend IRQ Level Eh = 14			IRQ Sharing Logic Active in Card Control & Status Register, Pulse and Level Mode Interrupts supported, Recommended IRQ's any of 0 through 15(F). S: Share Logic Active P: Pulse Mode IRQ Supported L: Level Mode IRQ Supported M: Bit Mask of IRQs Present M=0 therefore bits 3-0 are single level, binary encoded	TPCE_IRQ		

Table 6-1 Card Information Structure

Attribute Offset	Data	7	6	5	4	3	2	1	0	Content Description	CIS Function	
146h	21h	X 0	R 0	P 1	RO 0	A 0	T 1			Power-Down, and Twin Card. T: Twin Cards Allowed A: Audio Supported RO: Read Only Mode P: Power Down Supported R: Reserved X: More Misc Fields Bytes	TPCE_MI	
148h	1Bh	CISTPL_CE								Configuration Entry Tuple	Tuple Code	
14Ah	06h									Link to Next Tuple is 6 Bytes. Also limits size of this tuple to 8 bytes.	Link to Next Tuple	
14Ch	03h	I 0	D 0	Configuration Index 3						AT Fixed Disk Secondary I/O 3.3V Configuration	TPCE_INDX	
14Eh	01h	M 0	MS 0		IR 0	IO 0	T 0	P 1		P: Power Info type	TPCE_FS	
150h	21h	R 0	DI 0	PI 1	AI 0	SI 0	HV 0	LV 0	NV 1	PI: Peak Current NV: Nominal Operation Supply Voltage	Power Parameters for V _{CC}	
152h	B5h	X 1	Mantissa 6h = 3.0				Exponent 5h = 1			Nominal Operation Supply Voltage = 3.0V	Nominal Operation Supply Voltage	
154h	1Eh	X 0	1Eh								0.3	Nominal Operation Supply Voltage Extension Byte
156h	4Dh	X 0	Mantissa 9h = 4.5				Exponent 5h = 10			Max. Average Current over 10 ms is 45 mA	Max. Average Current	
158H	1Bh	CISTPL_CE								Configuration Entry Tuple	Tuple Code	
15Ah	04h									Link to Next Tuple is 4 bytes	Link to Next Tuple	
15Ch	07h	I 0	D 0	Configuration Index 7						AT Fixed Disk Secondary I/O 3.3V Configuration	TPCE_INDX	
15Eh	00h	M 0	MS 0		IR 0	IO 0	T 0	P 0		P: Power Info type	TPCE_FS	
160h	028h									SanDisk Code	Reserved	
162h	0D3h									SanDisk Code	Reserved	

Table 6-1 Card Information Structure

Attribute Offset	Data	7	6	5	4	3	2	1	0	Content Description	CIS Function
164h	014h	CISTPL_NO_LINK								Prevent scan of common memory	Tuple Code
166h	000h	No Bytes following								Link Length is 0 Bytes	Link to Next Tuple
168h	0FFh	End of Tuple Chain								End of CIS	Tuple Code

- a. Legacy CompactFlash products may report "SunDisk" as the ASCII manufacture string.

A.1 SanDisk CompactFlash Memory Card¹

To order SanDisk products directly from SanDisk, call (408) 801-1000.

Part Number	Capacity	Capacity (formatted in bytes)	Sectors/Card (Max. LBA+1)	No. of Heads	No. of Sectors/ Track	No. of Cylinders
SDCFJ-128-388	128 MB	128,450,560	250,880	8	32	980
SDCFJ-256-388	256 MB	256,901,120	501,760	16	32	980
SDCFJ-512-388	512 MB	512,483,328	1,000,944	16	63	993
SDCFJ-1024-388	1024 MB	1,024,966,656	2,001,888	16	63	1,986
SDCFJ-2048-388	2048 MB	2,048,901,120	4,001,760	16	63	3,970
SDCFJ-4096-388	4096 MB	4,110,188,544	8,027,712	16	63	7,964
SDCFH-1024-388	1024 MB	1,024,966,656	2,001,888	16	63	1,986
SDCFH-2048-388	2048 MB	2,048,901,120	4,001,760	16	63	3,970
SDCFH-4096-388	4096 MB	4,110,188,544	8,027,712	16	63	7,964
SDCFH-8192-388	8192 MB	8,195,604,480	16,007,040	16	63	15,880
SDCFH-16384-388	16384 MB	16,391,208,960	32,014,080	16	63	31,760
SDCFX3-2048-388	2048 MB	2,048,901,120	4,001,760	16	63	3,970
SDCFX3-4096-388	4096 MB	4,110,188,544	8,027,712	16	63	7,964
SDCFX3-8192-388	8192 MB	8,195,604,480	16,007,040	16	63	15,880
SDCFX3-12288-388	12288 MB	12,293,406,720	24,010,560	16	63	23,820
SDCFX3-16384-388	16384 MB	16,391,208,960	32,014,080	16	63	31,760

1. 1 megabyte (MB) = 1 million bytes; 1 gigabyte (GB) = 1 billion bytes. Some of the listed capacity is used for formatting and other functions, and thus is not available for data storage.

–This page intentionally left blank–

I. WARRANTY STATEMENT

SanDisk warrants its products to be free of any defects in materials or workmanship that would prevent them from functioning properly for one year from the date of purchase. This express warranty is extended by SanDisk Corporation.

II. GENERAL PROVISIONS

This warranty sets forth the full extent of SanDisk's responsibilities regarding the SanDisk SD Card. In satisfaction of its obligations hereunder, SanDisk, at its sole option, will repair, replace or refund the purchase price of the product.

NOTWITHSTANDING ANYTHING ELSE IN THIS LIMITED WARRANTY OR OTHERWISE, THE EXPRESS WARRANTIES AND OBLIGATIONS OF SELLER AS SET FORTH IN THIS LIMITED WARRANTY, ARE IN LIEU OF, AND BUYER EXPRESSLY WAIVES ALL OTHER OBLIGATIONS, GUARANTIES AND WARRANTIES OF ANY KIND, WHETHER EXPRESS OR IMPLIED, INCLUDING WITHOUT LIMITATION, ANY IMPLIED WARRANTY OF MERCHANTABILITY OR FITNESS FOR A PARTICULAR PURPOSE OR INFRINGEMENT, TOGETHER WITH ANY LIABILITY OF SELLER UNDER ANY CONTRACT, NEGLIGENCE, STRICT LIABILITY OR OTHER LEGAL OR EQUITABLE THEORY FOR LOSS OF USE, REVENUE, OR PROFIT OR OTHER INCIDENTAL OR CONSEQUENTIAL DAMAGES, INCLUDING WITHOUT LIMITATION PHYSICAL INJURY OR DEATH, PROPERTY DAMAGE, LOST DATA, OR COSTS OF PROCUREMENT OF SUBSTITUTE GOODS, TECHNOLOGY OR SERVICES. IN NO EVENT SHALL THE SELLER BE LIABLE FOR DAMAGES IN EXCESS OF THE PURCHASE PRICE OF THE PRODUCT, ARISING OUT OF THE USE OR INABILITY TO USE SUCH PRODUCT, TO THE FULL EXTENT SUCH MAY BE DISCLAIMED BY LAW.

SanDisk's products are not warranted to operate without failure. Accordingly, in any use of products in life support systems or other applications where failure could cause injury or loss of life, the products should only be incorporated in systems designed with appropriate redundancy, fault tolerant or back-up features.

III. WHAT THIS WARRANTY COVERS

For products found to be defective within one year of purchase, SanDisk will have the option of repairing or replacing the defective product, if the following conditions are met:

- A. A warranty registration card for each defective product was submitted and is on file at SanDisk. If not, a warranty registration card must accompany each returned defective product. This card is included in each product's original retail package.
- B. The defective product is returned to SanDisk for failure analysis as soon as possible after the failure occurs.
- C. An incident card filled out by the user, explaining the conditions of usage and the nature of the failure, accompanies each returned defective product.
- D. No evidence is found of abuse or operation of products not in accordance with the published specifications, or of exceeding storage or maximum ratings or operating conditions.

All failing products returned to SanDisk under the provisions of this limited warranty shall be tested to the product's functional and performance specifications. Upon confirmation of failure, each product will be analyzed, by whatever means necessary, to determine the root cause of failure. If the root cause of failure is found to be not covered by the above provisions, then the product will be returned to the customer with a report indicating why the failure was not covered under the warranty.

This warranty does not cover defects, malfunctions, performance failures or damages to the unit resulting from use in other than its normal and customary manner, misuse, accident or neglect; or improper alterations or repairs.

SanDisk reserves the right to repair or replace, at its discretion, any product returned by its customers, even if such product is not covered under warranty, but is under no obligation to do so.

SanDisk may, at its discretion, ship repaired or rebuilt products identified in the same way as new products, provided such cards meet or exceed the same published specifications as new products. Concurrently, SanDisk also reserves the right to market any products, whether new, repaired, or rebuilt, under different specifications and product designations if such products do not meet the original product's specifications.

IV. RECEIVING WARRANTY SERVICE

According to SanDisk's warranty procedure, defective product should be returned only with prior authorization from SanDisk Corporation. Please contact SanDisk's OEM Support Department at 866-436-6073 with the following information: product model number and description, serial numbers, nature of defect, conditions of use, proof of purchase and purchase date. If approved, SanDisk will issue a Return Material Authorization or Product Repair Authorization number and provide a shipping address where the defective product can be returned.

V. STATE LAW RIGHTS

SOME STATES DO NOT ALLOW THE EXCLUSION OR LIMITATION OF INCIDENTAL OR CONSEQUENTIAL DAMAGES, OR LIMITATION ON HOW LONG AN IMPLIED WARRANTY LASTS, SO THE ABOVE LIMITATIONS OR EXCLUSIONS MAY NOT APPLY TO YOU. This warranty gives you specific rights and you may also have other rights that vary from state to state.

C.1 SanDisk Corporation Policy

SanDisk Corporation general policy does not recommend the use of its products in life support applications wherein a failure or malfunction of the product may directly threaten life or injury. Accordingly, in any use of products in life support systems or other applications where failure could cause damage, injury or loss of life, the products should only be incorporated in systems designed with appropriate redundancy, fault tolerant or back-up features.

SanDisk shall not be liable for any loss, injury or damage caused by use of the Products in any of the following applications:

- Special applications such as military related equipment, nuclear reactor control, and aerospace
- Control devices for automotive vehicles, train, ship and traffic equipment
- Safety system for disaster prevention and crime prevention
- Medical-related equipment including medical measurement device

–This page intentionally left blank–