

### FEATURES

- Filterless Class-D amplifier with  $\Sigma$ - $\Delta$  modulation**
- No sync necessary when using multiple Class-D amplifiers from Analog Devices, Inc.**
- 3 W into 3  $\Omega$  load and 1.4 W into 8  $\Omega$  load at 5.0 V supply with <1% total harmonic distortion (THD + N)**
- 93% efficiency at 5.0 V, 1.4 W into 8  $\Omega$  speaker**
- >96 dB signal-to-noise ratio (SNR)**
- Single-supply operation from 2.5 V to 5.5 V**
- 20 nA ultralow shutdown current**
- Short-circuit and thermal protection**
- Available in 9-ball, 1.5 mm  $\times$  1.5 mm WLCSP**
- Pop-and-click suppression**
- Built-in resistors reduce board component count**
- Default fixed 18 dB or user-adjustable gain setting**

### APPLICATIONS

- Mobile phones**
- MP3 players**
- Portable gaming**
- Portable electronics**
- Educational toys**

### GENERAL DESCRIPTION

The SSM2335 is a fully integrated, high efficiency, Class-D audio amplifier. It is designed to maximize performance for mobile phone applications. The application circuit requires a minimum of external components and operates from a single 2.5 V to 5.5 V supply. It is capable of delivering 3 W of continuous output power with <1% THD + N driving a 3  $\Omega$  load from a 5.0 V supply.

The SSM2335 features a high efficiency, low noise modulation scheme that requires no external LC output filters. The modulation continues to provide high efficiency even at low output power. It operates with 93% efficiency at 1.4 W into 8  $\Omega$  or 85% efficiency at 3 W into 3  $\Omega$  from a 5.0 V supply and has an SNR of >96 dB. Spread-spectrum pulse density modulation is used to provide lower EMI-radiated emissions compared with other Class-D architectures.

The SSM2335 has a micropower shutdown mode with a typical shutdown current of 20 nA. Shutdown is enabled by applying a logic low to the  $\overline{SD}$  pin.

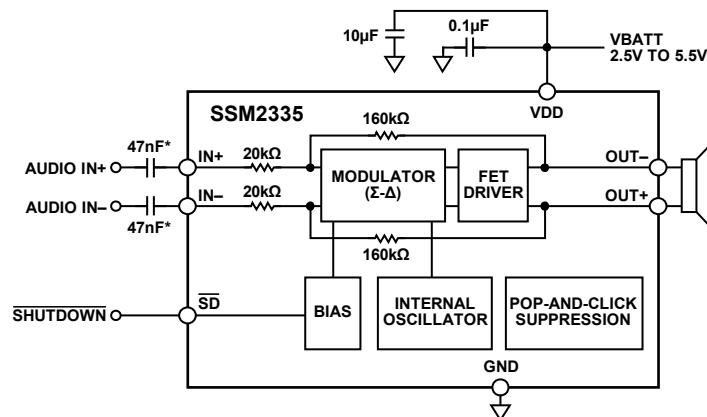
The device also includes pop-and-click suppression circuitry. This suppression circuitry minimizes voltage glitches at the output during turn-on and turn-off, reducing audible noise on activation and deactivation.

The fully differential input of the SSM2335 provides excellent rejection of common-mode noise on the input. Input coupling capacitors can be omitted if the input dc common-mode voltage is approximately  $V_{DD}/2$ .

The default gain of the SSM2335 is 18 dB, but users can reduce the gain by using a pair of external resistors (see the Gain section).

The SSM2335 is specified over the industrial temperature range of  $-40^{\circ}\text{C}$  to  $+85^{\circ}\text{C}$ . It has built-in thermal shutdown and output short-circuit protection. It is available in a 9-ball, 1.5 mm  $\times$  1.5 mm wafer level chip scale package (WLCSP).

### FUNCTIONAL BLOCK DIAGRAM



\*INPUT CAPACITORS ARE OPTIONAL IF INPUT DC COMMON-MODE VOLTAGE IS APPROXIMATELY  $V_{DD}/2$ .

Figure 1.

07851-001

### Rev. 0

Information furnished by Analog Devices is believed to be accurate and reliable. However, no responsibility is assumed by Analog Devices for its use, nor for any infringements of patents or other rights of third parties that may result from its use. Specifications subject to change without notice. No license is granted by implication or otherwise under any patent or patent rights of Analog Devices. Trademarks and registered trademarks are the property of their respective owners.

One Technology Way, P.O. Box 9106, Norwood, MA 02062-9106, U.S.A.  
Tel: 781.329.4700 [www.analog.com](http://www.analog.com)  
Fax: 781.461.3113 ©2008 Analog Devices, Inc. All rights reserved.

## TABLE OF CONTENTS

|  |   |                                     |    |
|--|---|-------------------------------------|----|
| Features .....                                   | 1 | Typical Application Circuits .....  | 11 |
| Applications.....                                | 1 | Theory of Operation .....           | 12 |
| General Description .....                        | 1 | Overview .....                      | 12 |
| Functional Block Diagram .....                   | 1 | Gain.....                           | 12 |
| Revision History .....                           | 2 | Pop-and-Click Suppression .....     | 12 |
| Specifications.....                              | 3 | Output Modulation Description ..... | 12 |
| Absolute Maximum Ratings.....                    | 4 | Layout .....                        | 13 |
| Thermal Resistance .....                         | 4 | Input Capacitor Selection.....      | 13 |
| ESD Caution.....                                 | 4 | Power Supply Decoupling.....        | 13 |
| Pin Configuration and Function Descriptions..... | 5 | Outline Dimensions .....            | 14 |
| Typical Performance Characteristics .....        | 6 | Ordering Guide .....                | 14 |

## REVISION HISTORY

10/08—Revision 0: Initial Version

## SPECIFICATIONS

$V_{DD} = 5.0\text{ V}$ ,  $T_A = 25^\circ\text{C}$ ,  $R_L = 8\ \Omega + 33\ \mu\text{H}$ , unless otherwise noted.

Table 1.

| Parameter                          | Symbol                      | Test Conditions/Comments <sup>1</sup>  | Min | Typ   | Max            | Unit   |
|------------------------------------|-----------------------------|--|-----|---|----------------|--|
| <b>DEVICE CHARACTERISTICS</b>      |                             |  |     |   |                |  |
| Output Power                       | $P_O$                       | $f = 1\text{ kHz}$ , 20 kHz BW<br>$R_L = 8\ \Omega$ , THD = 1%, $V_{DD} = 5.0\text{ V}$<br>$R_L = 8\ \Omega$ , THD = 1%, $V_{DD} = 3.6\text{ V}$<br>$R_L = 8\ \Omega$ , THD = 10%, $V_{DD} = 5.0\text{ V}$<br>$R_L = 8\ \Omega$ , THD = 10%, $V_{DD} = 3.6\text{ V}$<br>$R_L = 4\ \Omega$ , THD = 1%, $V_{DD} = 5.0\text{ V}$<br>$R_L = 4\ \Omega$ , THD = 1%, $V_{DD} = 3.6\text{ V}$<br>$R_L = 4\ \Omega$ , THD = 10%, $V_{DD} = 5.0\text{ V}$<br>$R_L = 4\ \Omega$ , THD = 10%, $V_{DD} = 3.6\text{ V}$<br>$R_L = 3\ \Omega$ , THD = 1%, $V_{DD} = 5.0\text{ V}$<br>$R_L = 3\ \Omega$ , THD = 1%, $V_{DD} = 3.6\text{ V}$<br>$R_L = 3\ \Omega$ , THD = 10%, $V_{DD} = 5.0\text{ V}$<br>$R_L = 3\ \Omega$ , THD = 10%, $V_{DD} = 3.6\text{ V}$ |     | 1.48<br>0.75<br>1.84<br>0.94<br>2.72<br>1.38<br>3.40 <sup>2</sup><br>1.72<br>3.43 <sup>2</sup><br>1.72<br>4.28 <sup>2</sup><br>2.14 |                | W<br>W<br>W<br>W<br>W<br>W<br>W<br>W<br>W<br>W<br>W<br>W |
| Efficiency                         | $\eta$                      | $P_O = 1.4\text{ W}$ , 8 $\Omega$ , $V_{DD} = 5.0\text{ V}$  |     | 93  |                | %  |
| Total Harmonic Distortion + Noise  | THD + N                     | $P_O = 1\text{ W}$ into 8 $\Omega$ , $f = 1\text{ kHz}$ , $V_{DD} = 5.0\text{ V}$<br>$P_O = 0.5\text{ W}$ into 8 $\Omega$ , $f = 1\text{ kHz}$ , $V_{DD} = 3.6\text{ V}$   |     | 0.01<br>0.01  |                | %<br>%   |
| Input Common-Mode Voltage Range    | $V_{CM}$                    |  | 1.0 |   | $V_{DD} - 1.0$ | V  |
| Common-Mode Rejection Ratio        | $CMRR_{GSM}$                | $V_{CM} = 2.5\text{ V} \pm 100\text{ mV}$ at 217 Hz, output referred   |     | 60  |                | dB   |
| Average Switching Frequency        | $f_{SW}$                    |  |     | 300   |                | kHz  |
| Differential Output Offset Voltage | $V_{OOS}$                   | Gain = 18 dB   |     | 2.0   |                | mV   |
| <b>POWER SUPPLY</b>                |                             |  |     |   |                |  |
| Supply Voltage Range               | $V_{DD}$                    | Guaranteed from PSRR test  | 2.5 |   | 5.5            | V  |
| Power Supply Rejection Ratio       | $PSRR_{DC}$<br>$PSRR_{GSM}$ | $V_{DD} = 2.5\text{ V}$ to 5.0 V, dc input floating<br>$V_{RIPPLE} = 100\text{ mV}$ at 217 Hz, inputs ac GND, $C_{IN} = 0.1\ \mu\text{F}$  | 60  | 85<br>65  |                | dB<br>dB   |
| Supply Current                     | $I_{SY}$                    | $V_{IN} = 0\text{ V}$ , no load, $V_{DD} = 5.0\text{ V}$<br>$V_{IN} = 0\text{ V}$ , no load, $V_{DD} = 3.6\text{ V}$<br>$V_{IN} = 0\text{ V}$ , no load, $V_{DD} = 2.5\text{ V}$<br>$V_{IN} = 0\text{ V}$ , load = 8 $\Omega + 33\ \mu\text{H}$ , $V_{DD} = 5.0\text{ V}$<br>$V_{IN} = 0\text{ V}$ , load = 8 $\Omega + 33\ \mu\text{H}$ , $V_{DD} = 3.6\text{ V}$<br>$V_{IN} = 0\text{ V}$ , load = 8 $\Omega + 33\ \mu\text{H}$ , $V_{DD} = 2.5\text{ V}$  |     | 3.2<br>2.8<br>2.4<br>3.3<br>2.9<br>2.4  |                | mA<br>mA<br>mA<br>mA<br>mA<br>mA                         |
| Shutdown Current                   | $I_{SD}$                    | $\overline{SD} = \text{GND}$   |     | 20  |                | nA   |
| <b>GAIN CONTROL</b>                |                             |  |     |   |                |  |
| Closed-Loop Gain                   | Gain                        |  |     | 18  |                | dB   |
| Differential Input Impedance       | $Z_{IN}$                    | $\overline{SD} = V_{DD}$   |     | 20  |                | k $\Omega$   |
| <b>SHUTDOWN CONTROL</b>            |                             |  |     |   |                |  |
| Input Voltage High                 | $V_{IH}$                    | $I_{SY} \geq 1\text{ mA}$  |     | 1.2   |                | V  |
| Input Voltage Low                  | $V_{IL}$                    | $I_{SY} \leq 300\text{ nA}$  |     | 0.5   |                | V  |
| Turn-On Time                       | $t_{WU}$                    | $\overline{SD}$ rising edge from GND to VDD  |     | 7   |                | ms   |
| Turn-Off Time                      | $t_{SD}$                    | $\overline{SD}$ falling edge from VDD to GND   |     | 5   |                | $\mu\text{s}$  |
| Output Impedance                   | $Z_{OUT}$                   | $\overline{SD} = \text{GND}$   |     | >100  |                | k $\Omega$   |
| <b>NOISE PERFORMANCE</b>           |                             |  |     |   |                |  |
| Output Voltage Noise               | $e_n$                       | $V_{DD} = 3.6\text{ V}$ , $f = 20\text{ Hz}$ to 20 kHz, inputs are ac-grounded, gain = 18 dB, A-weighted   |     | 44  |                | $\mu\text{V rms}$  |
| Signal-to-Noise Ratio              | SNR                         | $P_O = 1.4\text{ W}$ , $R_L = 8\ \Omega$   |     | 96  |                | dB   |

<sup>1</sup> Although the SSM2335 has good audio quality above 3 W, continuous output power beyond 3 W must be avoided due to device packaging limitations.

<sup>2</sup> This value represents measured performance; packaging limitations must not be exceeded.

# SSM2335

## ABSOLUTE MAXIMUM RATINGS

Absolute maximum ratings apply at 25°C, unless otherwise noted.

Table 2.

| Parameter                            | Rating          |
|--------------------------------------|-----------------|
| Supply Voltage                       | 6 V             |
| Input Voltage                        | V <sub>DD</sub> |
| Common-Mode Input Voltage            | V <sub>DD</sub> |
| Continuous Output Power              | 3 W             |
| Storage Temperature Range            | −65°C to +150°C |
| Operating Temperature Range          | −40°C to +85°C  |
| Junction Temperature Range           | −65°C to +165°C |
| Lead Temperature (Soldering, 60 sec) | 300°C           |
| ESD Susceptibility                   | 2.5 kV          |

Stresses above those listed under Absolute Maximum Ratings may cause permanent damage to the device. This is a stress rating only; functional operation of the device at these or any other conditions above those indicated in the operational section of this specification is not implied. Exposure to absolute maximum rating conditions for extended periods may affect device reliability.

## THERMAL RESISTANCE

$\theta_{JA}$  is specified for the worst-case conditions, that is, a device soldered in a circuit board for surface-mount packages.

Table 3. Thermal Resistance

| Package Type                  | PCB  | $\theta_{JA}$ | $\theta_{JB}$ | Unit |
|-------------------------------|------|---------------|---------------|------|
| 9-Ball, 1.5 mm × 1.5 mm WLCSP | 1SOP | 162           | 39            | °C/W |
|                               | 2SOP | 76            | 21            | °C/W |

## ESD CAUTION



**ESD (electrostatic discharge) sensitive device.** Charged devices and circuit boards can discharge without detection. Although this product features patented or proprietary protection circuitry, damage may occur on devices subjected to high energy ESD. Therefore, proper ESD precautions should be taken to avoid performance degradation or loss of functionality.

## PIN CONFIGURATION AND FUNCTION DESCRIPTIONS

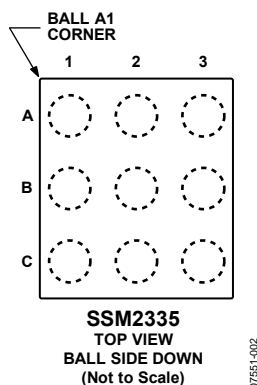


Figure 2. Pin Configuration

Table 4. Pin Function Descriptions

| Pin No. | Mnemonic        | Description                               |
|---------|-----------------|---|
| 1A      | IN+             | Noninverting Input.                       |
| 1B      | VDD             | Power Supply.                             |
| 1C      | IN-             | Inverting Input.                          |
| 2A      | GND             | Ground.                                   |
| 2B      | PVDD            | Power Supply.                             |
| 2C      | $\overline{SD}$ | Shutdown Input. Active low digital input. |
| 3A      | OUT-            | Inverting Output.                         |
| 3B      | GND             | Ground.                                   |
| 3C      | OUT+            | Noninverting Output.                      |

## TYPICAL PERFORMANCE CHARACTERISTICS

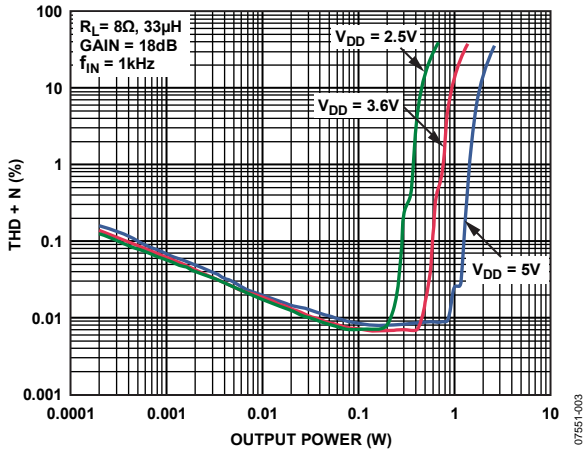


Figure 3. THD + N vs. Output Power into  $8\Omega + 33\mu\text{H}$ , Gain = 18 dB

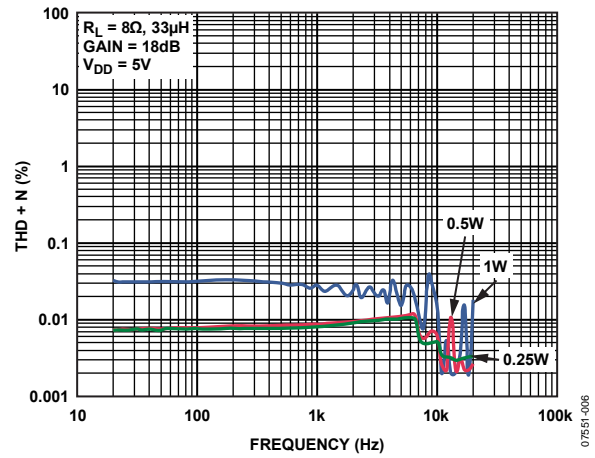


Figure 6. THD + N vs. Frequency,  $V_{\text{DD}} = 5\text{V}$ ,  $R_L = 8\Omega + 33\mu\text{H}$ , Gain = 18 dB

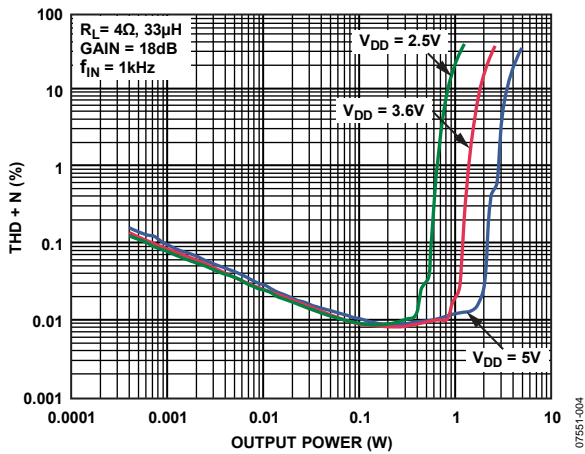


Figure 4. THD + N vs. Output Power into  $4\Omega + 33\mu\text{H}$ , Gain = 18 dB

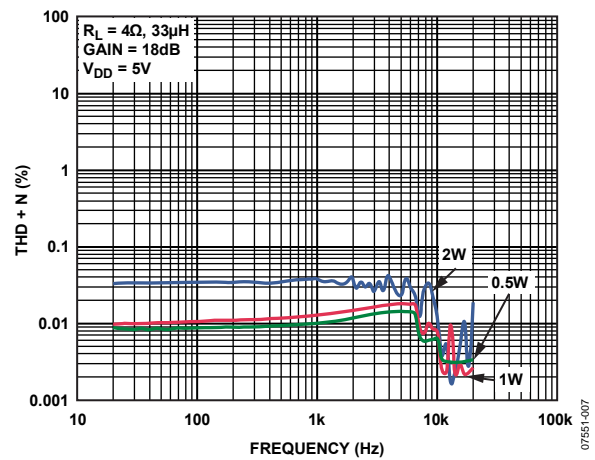


Figure 7. THD + N vs. Frequency,  $V_{\text{DD}} = 5\text{V}$ ,  $R_L = 4\Omega + 33\mu\text{H}$ , Gain = 18 dB

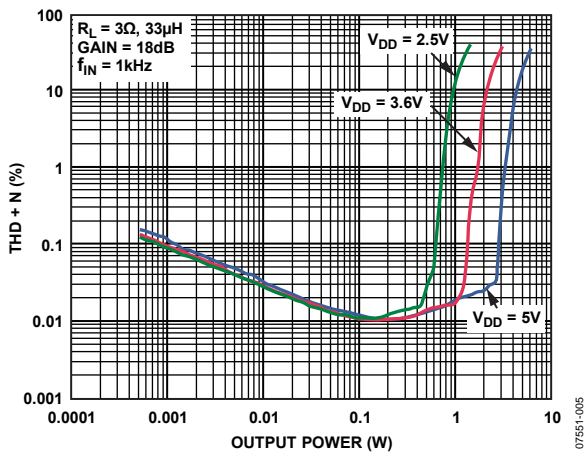


Figure 5. THD + N vs. Output Power into  $3\Omega + 33\mu\text{H}$ , Gain = 18 dB

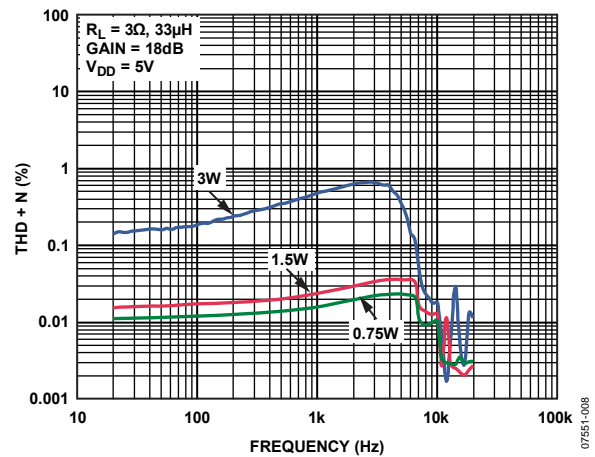


Figure 8. THD + N vs. Frequency,  $V_{\text{DD}} = 5\text{V}$ ,  $R_L = 3\Omega + 33\mu\text{H}$ , Gain = 18 dB

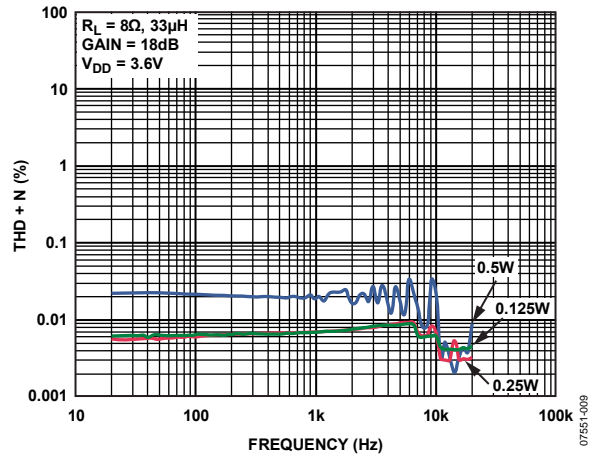


Figure 9. THD + N vs. Frequency,  $V_{DD} = 3.6V$ ,  $R_L = 8\Omega + 33\mu H$ , Gain = 18 dB

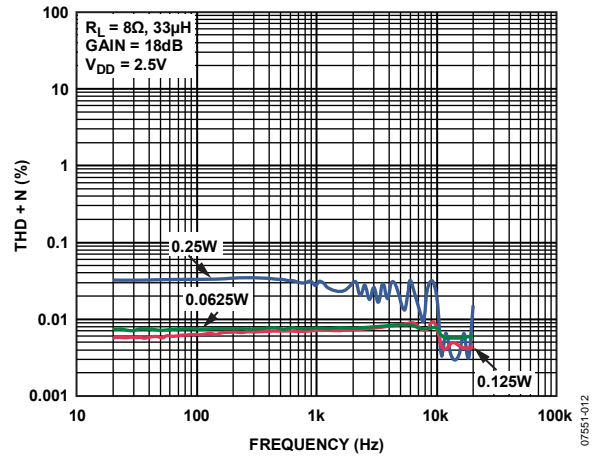


Figure 12. THD + N vs. Frequency,  $V_{DD} = 2.5V$ ,  $R_L = 8\Omega + 33\mu H$ , Gain = 18 dB

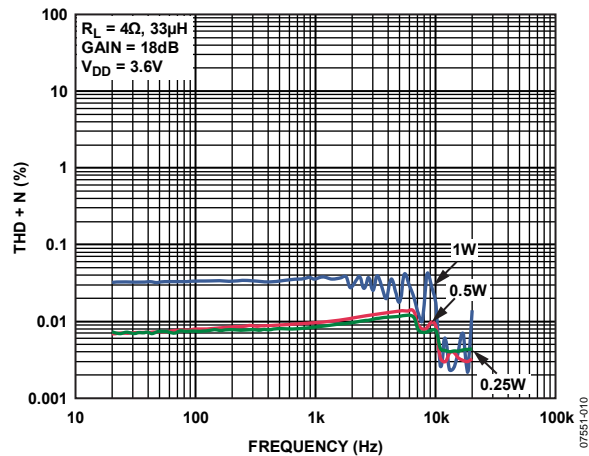


Figure 10. THD + N vs. Frequency,  $V_{DD} = 3.6V$ ,  $R_L = 4\Omega + 33\mu H$ , Gain = 18 dB

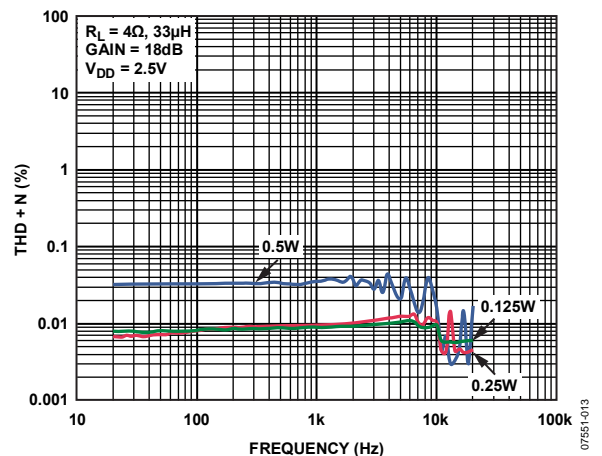


Figure 13. THD + N vs. Frequency,  $V_{DD} = 2.5V$ ,  $R_L = 4\Omega + 33\mu H$ , Gain = 18 dB

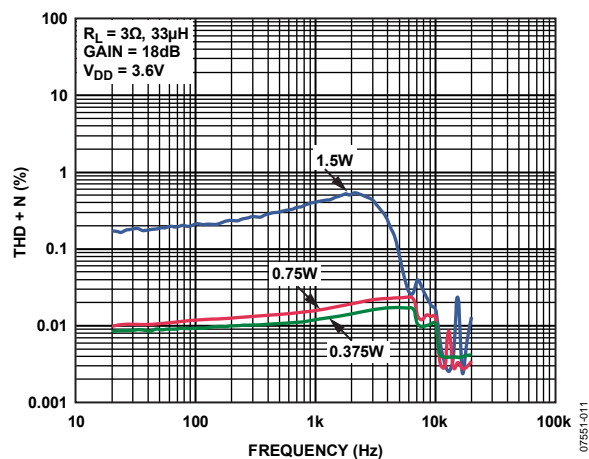


Figure 11. THD + N vs. Frequency,  $V_{DD} = 3.6V$ ,  $R_L = 3\Omega + 33\mu H$ , Gain = 18 dB

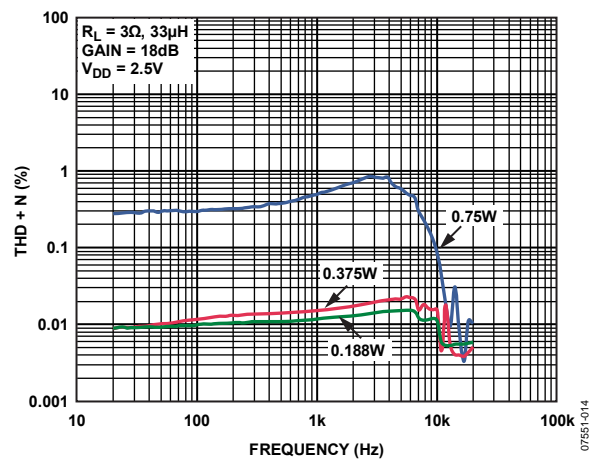


Figure 14. THD + N vs. Frequency,  $V_{DD} = 2.5V$ ,  $R_L = 3\Omega + 33\mu H$ , Gain = 18 dB

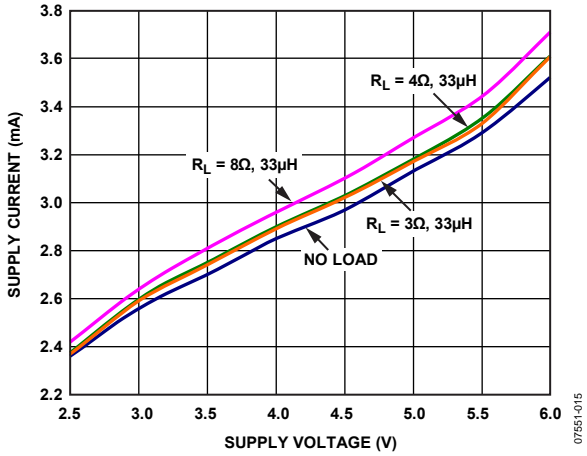


Figure 15. Supply Current vs. Supply Voltage

07551-015

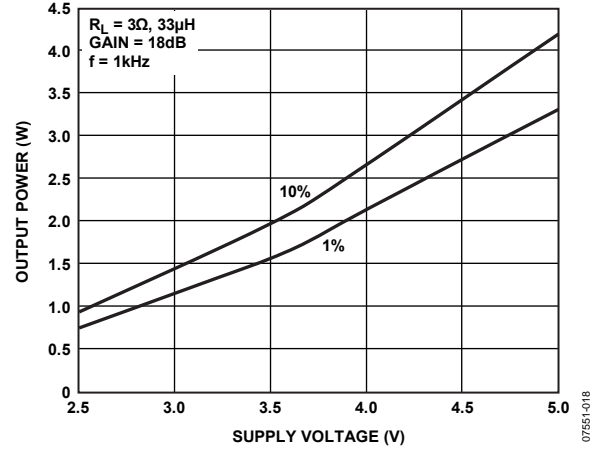


Figure 18. Maximum Output Power vs. Supply Voltage,  $R_L = 3\Omega + 33\mu\text{H}$ , Gain = 18 dB

07551-018

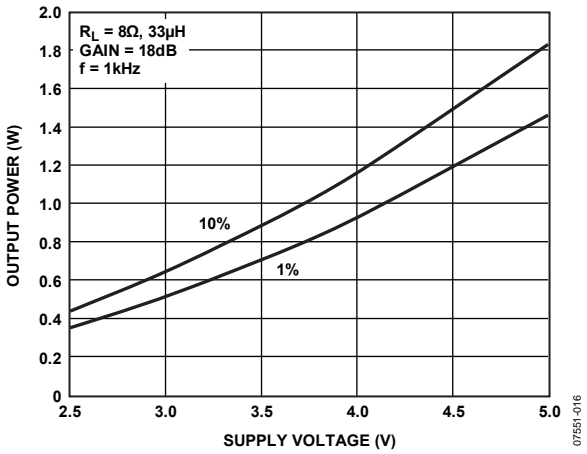


Figure 16. Maximum Output Power vs. Supply Voltage,  $R_L = 8\Omega + 33\mu\text{H}$ , Gain = 18 dB

07551-016

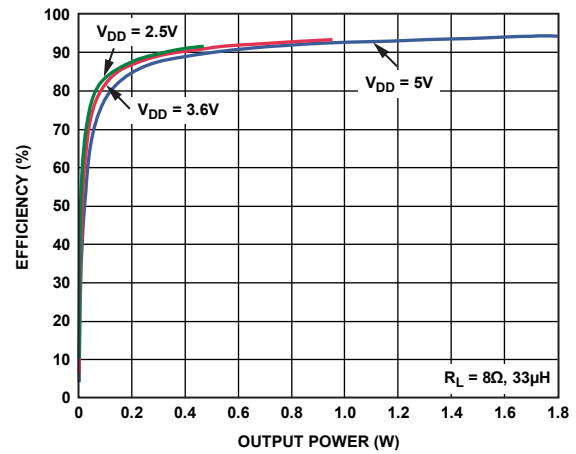


Figure 19. Efficiency vs. Output Power into  $8\Omega + 33\mu\text{H}$

07551-019

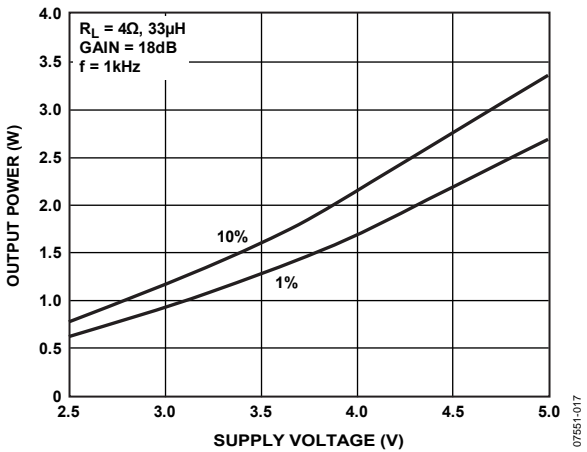


Figure 17. Maximum Output Power vs. Supply Voltage,  $R_L = 4\Omega + 33\mu\text{H}$ , Gain = 18 dB

07551-017

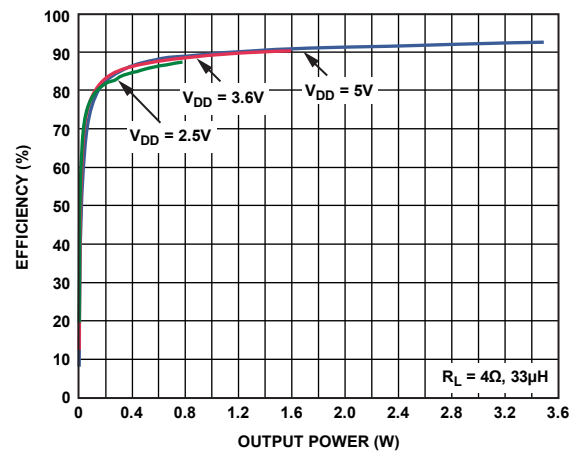


Figure 20. Efficiency vs. Output Power into  $4\Omega + 33\mu\text{H}$

07551-020



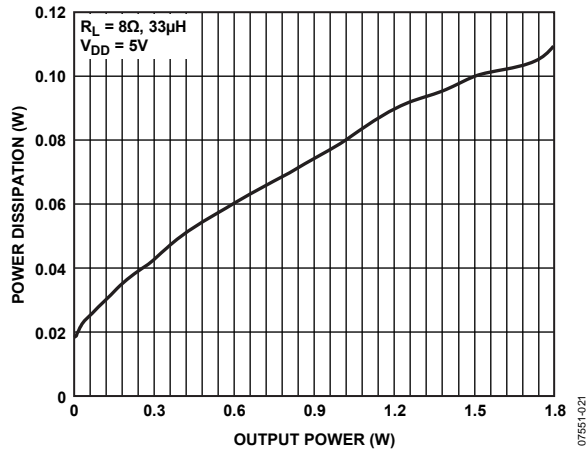


Figure 21. Power Dissipation vs. Output Power into  $8\Omega + 33\mu H, V_{DD} = 5V$

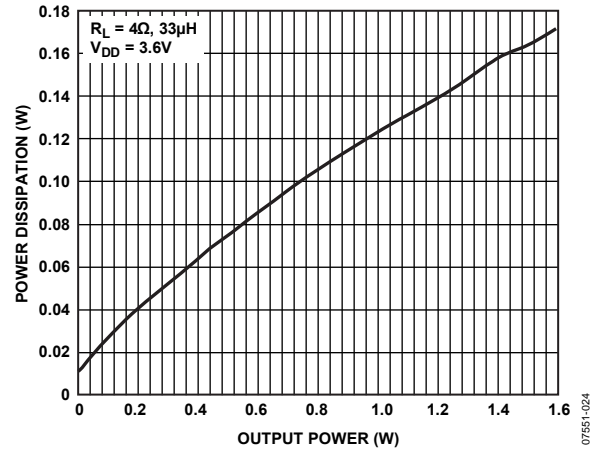


Figure 24. Power Dissipation vs. Output Power into  $4\Omega + 33\mu H, V_{DD} = 3.6V$

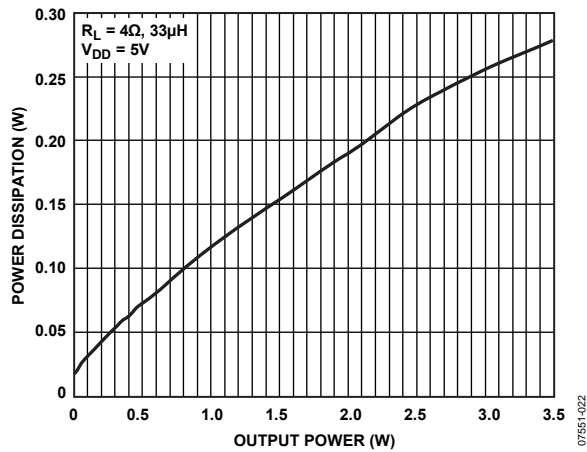


Figure 22. Power Dissipation vs. Output Power into  $4\Omega + 33\mu H, V_{DD} = 5V$

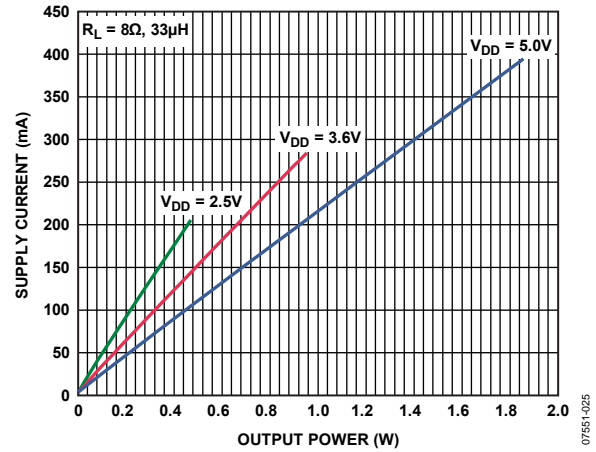


Figure 25. Supply Current vs. Output Power into  $8\Omega + 33\mu H$

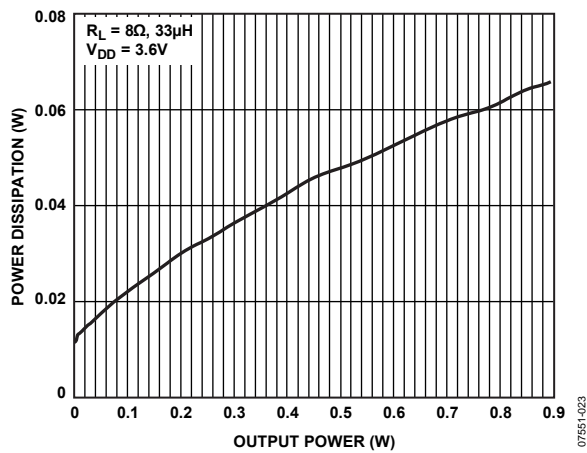


Figure 23. Power Dissipation vs. Output Power into  $8\Omega + 33\mu H, V_{DD} = 3.6V$

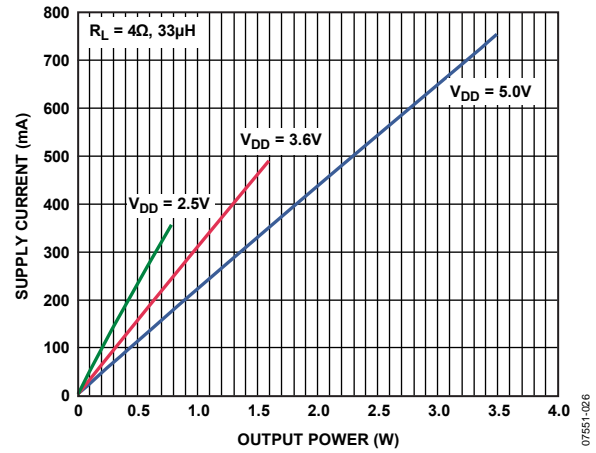


Figure 26. Supply Current vs. Output Power into  $4\Omega + 33\mu H$

# SSM2335

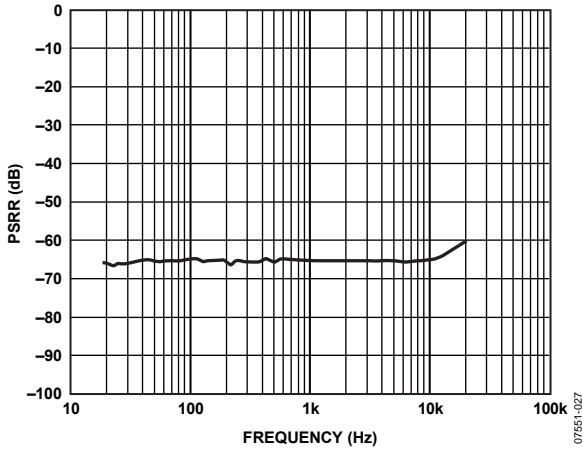


Figure 27. Power Supply Rejection Ratio (PSRR) vs. Frequency

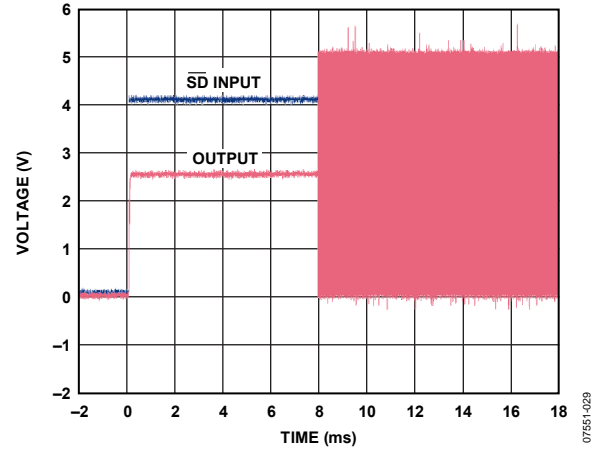


Figure 29. Turn-On Response

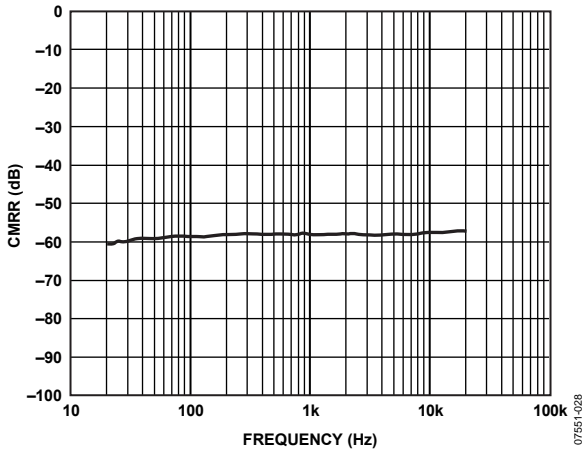


Figure 28. Common-Mode Rejection Ratio (CMRR) vs. Frequency

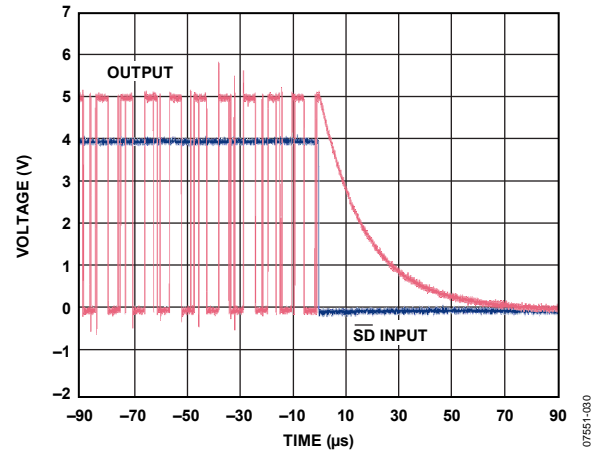
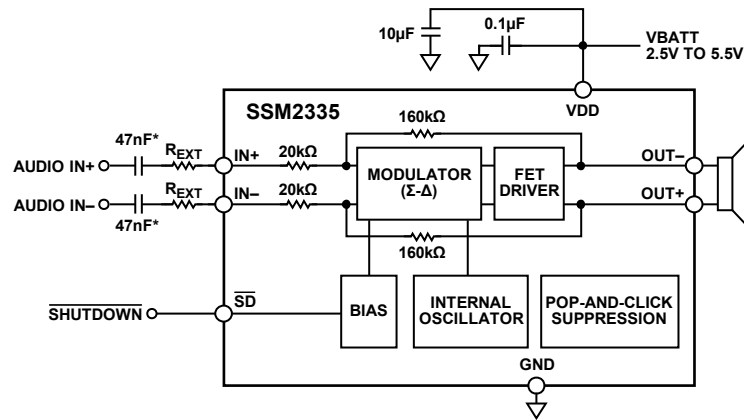


Figure 30. Turn-Off Response

## TYPICAL APPLICATION CIRCUITS

EXTERNAL GAIN SETTINGS =  $160\text{k}\Omega / (20\text{k}\Omega + R_{EXT})$ 

\*INPUT CAPACITORS ARE OPTIONAL IF INPUT DC COMMON-MODE VOLTAGE IS APPROXIMATELY  $V_{DD}/2$ .

Figure 31. Differential Input Configuration, User-Adjustable Gain

07851-031

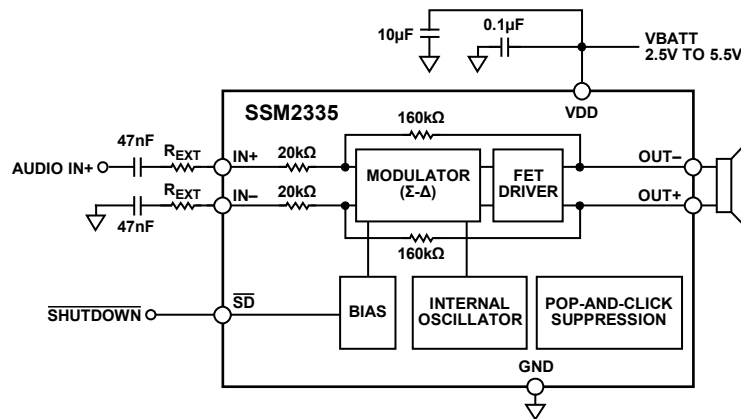
EXTERNAL GAIN SETTINGS =  $160\text{k}\Omega / (20\text{k}\Omega + R_{EXT})$ 

Figure 32. Single-Ended Input Configuration, User-Adjustable Gain

07851-032

## THEORY OF OPERATION

### OVERVIEW

The SSM2335 mono Class-D audio amplifier features a filterless modulation scheme that greatly reduces the external component count, conserving board space and, thus, reducing systems cost. The SSM2335 does not require an output filter but, instead, relies on the inherent inductance of the speaker coil and the natural filtering of the speaker and human ear to fully recover the audio component of the square wave output. Most Class-D amplifiers use some variation of pulse-width modulation (PWM), but the SSM2335 uses  $\Sigma$ - $\Delta$  modulation to determine the switching pattern of the output devices, resulting in a number of important benefits.  $\Sigma$ - $\Delta$  modulators do not produce a sharp peak with many harmonics in the AM frequency band, as pulse-width modulators often do.  $\Sigma$ - $\Delta$  modulation provides the benefits of reducing the amplitude of spectral components at high frequencies, that is, reducing EMI emission that might otherwise be radiated by speakers and long cable traces. The SSM2335 does not require external EMI filtering for twisted speaker cable lengths shorter than 10 cm. Due to the inherent spread-spectrum nature of  $\Sigma$ - $\Delta$  modulation, the need for oscillator synchronization is eliminated for designs incorporating multiple SSM2335 amplifiers.

The SSM2335 also offers protection circuits for overcurrent and temperature protection.

### GAIN

The SSM2335 has a default gain of 18 dB that can be reduced by using a pair of external resistors with a value calculated as follows:

$$\text{External Gain Settings} = 160 \text{ k}\Omega / (20 \text{ k}\Omega + R_{EXT})$$

### POP-AND-CLICK SUPPRESSION

Voltage transients at the output of audio amplifiers can occur when shutdown is activated or deactivated. Voltage transients as low as 10 mV can be heard as an audio pop in the speaker. Clicks and pops can also be classified as undesirable audible transients generated by the amplifier system and, therefore, as not coming from the system input signal. Such transients may be generated when the amplifier system changes its operating mode. For example, the following may be sources of audible transients: system power-up and power-down, mute and unmute, input source change, and sample rate change. The SSM2335 has a pop-and-click suppression architecture that reduces these output transients, resulting in noiseless activation and deactivation.

### OUTPUT MODULATION DESCRIPTION

The SSM2335 uses three-level,  $\Sigma$ - $\Delta$  output modulation. Each output can swing from GND to  $V_{DD}$  and vice versa. Ideally, when no input signal is present, the output differential voltage is 0 V because there is no need to generate a pulse. In a real-world situation, there are always noise sources present.

Due to this constant presence of noise, a differential pulse is generated, when required, in response to this stimulus. A small amount of current flows into the inductive load when the differential pulse is generated.

Most of the time, however, output differential voltage is 0 V, due to the Analog Devices patent pending, three-level,  $\Sigma$ - $\Delta$  output modulation. This feature ensures that the current flowing through the inductive load is small.

When the user wants to send an input signal, an output pulse is generated to follow the input voltage. The differential pulse density is increased by raising the input signal level. Figure 33 depicts three-level,  $\Sigma$ - $\Delta$  output modulation with and without input stimulus.

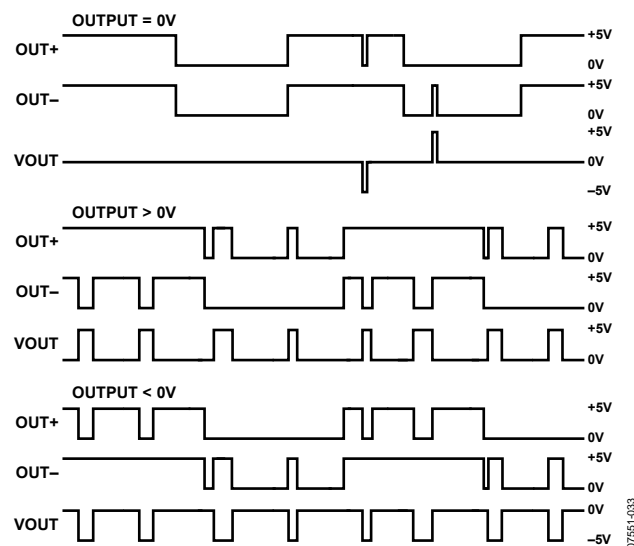


Figure 33. Three-Level,  $\Sigma$ - $\Delta$  Output Modulation With and Without Input Stimulus

## LAYOUT

As output power continues to increase, care must be taken to lay out PCB traces and wires properly among the amplifier, load, and power supply. A good practice is to use short, wide PCB tracks to decrease voltage drops and minimize inductance. Ensure that track widths are at least 200 mil for every inch of track length for lowest DCR, and use 1 oz or 2 oz of copper PCB traces to further reduce IR drops and inductance. A poor layout increases voltage drops, consequently affecting efficiency. Use large traces for the power supply inputs and amplifier outputs to minimize losses due to parasitic trace resistance.

Proper grounding guidelines help to improve audio performance, minimize crosstalk between channels, and prevent switching noise from coupling into the audio signal. To maintain high output swing and high peak output power, the PCB traces that connect the output pins to the load, as well as the PCB traces to the supply pins, should be as wide as possible to maintain the minimum trace resistances. It is also recommended that a large ground plane be used for minimum impedances.

In addition, good PCB layout isolates critical analog paths from sources of high interference. High frequency circuits (analog and digital) should be separated from low frequency circuits.

Properly designed multilayer PCBs can reduce EMI emission and increase immunity to the RF field by a factor of 10 or more, compared with double-sided boards. A multilayer board allows a complete layer to be used for the ground plane, whereas the ground plane side of a double-sided board is often disrupted by signal crossover.

If the system has separate analog and digital ground and power planes, the analog ground plane should be directly beneath the analog power plane, and, similarly, the digital ground plane should be directly beneath the digital power plane. There should be no overlap between analog and digital ground planes or between analog and digital power planes.

## INPUT CAPACITOR SELECTION

The SSM2335 does not require input coupling capacitors if the input signal is biased from 1.0 V to  $V_{DD} - 1.0$  V. Input capacitors are required if the input signal is not biased within this recommended input dc common-mode voltage range, if high-pass filtering is needed, or if a single-ended source is used. If high-pass filtering is needed at the input, the input capacitor and the input resistor of the SSM2335 form a high-pass filter whose corner frequency is determined by the following equation:

$$f_c = 1/(2\pi \times R_{IN} \times C_{IN})$$

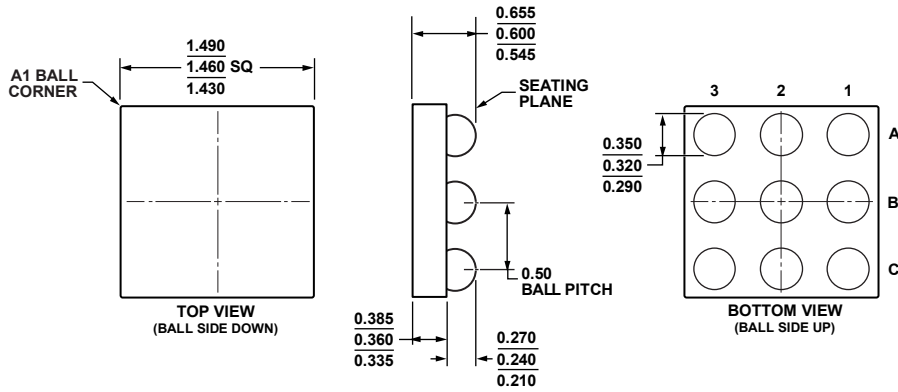
The input capacitor can significantly affect the performance of the circuit. Not using input capacitors degrades both the output offset of the amplifier and the dc PSRR performance.

## POWER SUPPLY DECOUPLING

To ensure high efficiency, low total harmonic distortion (THD), and high PSRR, proper power supply decoupling is necessary. Noise transients on the power supply lines are short-duration voltage spikes. Although the actual switching frequency can range from 10 kHz to 100 kHz, these spikes can contain frequency components that extend into the hundreds of megahertz. The power supply input needs to be decoupled with a good quality, low ESL, low ESR capacitor, with a minimum value of 4.7  $\mu$ F. This capacitor bypasses low frequency noises to the ground plane. For high frequency transient noises, use a 0.1  $\mu$ F capacitor as close as possible to the VDD pin of the device. Placing the decoupling capacitor as close as possible to the SSM2335 helps to maintain efficient performance.

# SSM2335

## OUTLINE DIMENSIONS



101607-C

Figure 34. 9-Ball Wafer Level Chip Scale Package [WLCSP]  
(CB-9-2)  
Dimensions shown in millimeters

### ORDERING GUIDE

| Model                         | Temperature Range | Package Description                           | Package Option | Branding |
|-------------------------------|-------------------|---|----------------|----------|
| SSM2335CBZ-R2 <sup>1</sup>    | -40°C to +85°C    | 9-Ball Wafer Level Chip Scale Package [WLCSP] | CB-9-2         | Y1L      |
| SSM2335CBZ-REEL <sup>1</sup>  | -40°C to +85°C    | 9-Ball Wafer Level Chip Scale Package [WLCSP] | CB-9-2         | Y1L      |
| SSM2335CBZ-REEL7 <sup>1</sup> | -40°C to +85°C    | 9-Ball Wafer Level Chip Scale Package [WLCSP] | CB-9-2         | Y1L      |
| EVAL-SSM2335Z <sup>1</sup>    |                   | Evaluation Board                              |                |          |

<sup>1</sup> Z = RoHS Compliant Part.

**NOTES**

**SSM2335**

**NOTES**