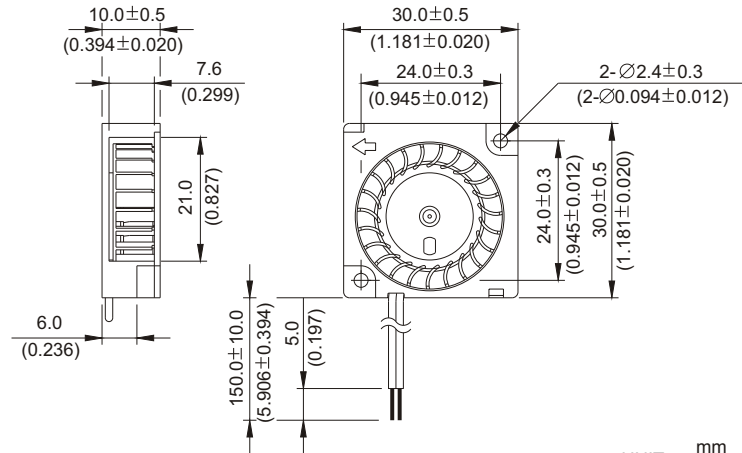
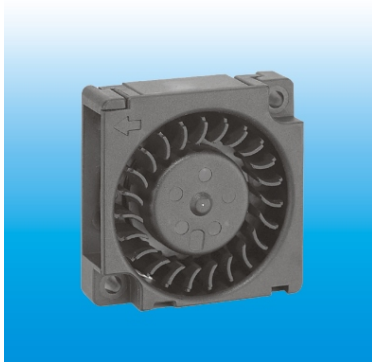


BFB 30 x 30 x 10 MM SERIES

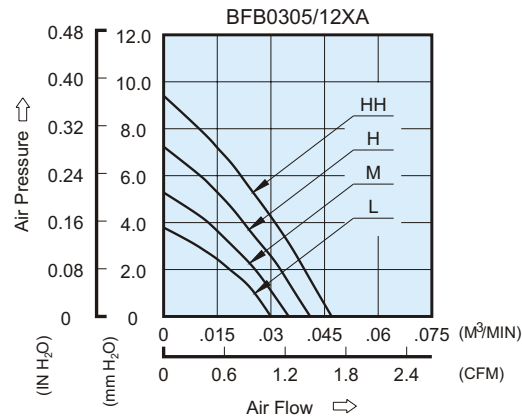
DIMENSIONS DRAWING



UNIT: $\frac{\text{mm}}{\text{(INCH)}}$

- * Bearing Type
Ball Bearings
- * Material
Impeller & Frame : Plastic (UL 94V-0)
- * Lead Wires :
UL 1571 AWG #28 OR Equivalent
Red Wire Positive (+)
Black Wire Negative (-)
- * Weight : 10g (0.35 oz)

P & Q CURVE (AT RATED VOLTAGE)

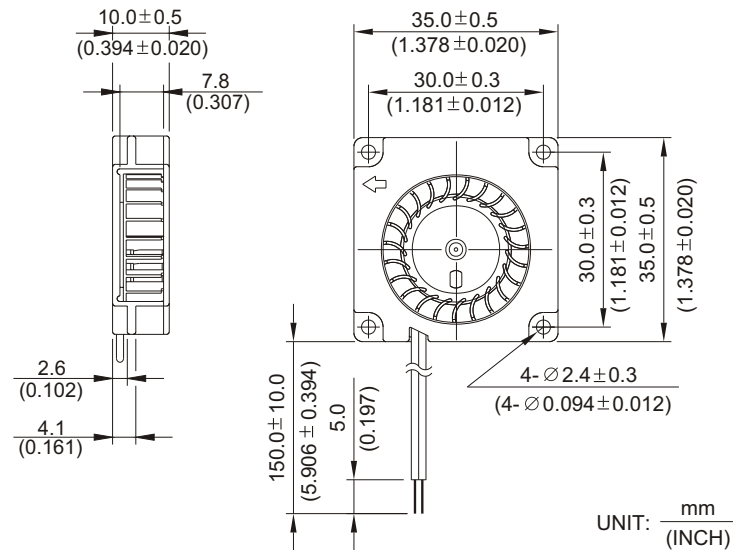
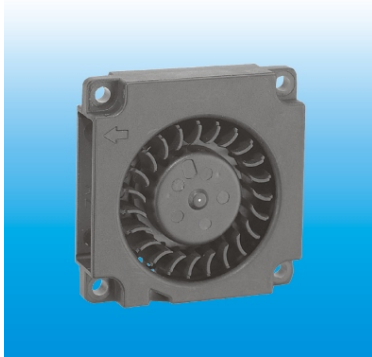


MODEL		Rated Voltage	Operating Voltage Range	Rated Current	Rated Input Power	Speed	Maximum Air Flow		Maximum Air Pressure		Noise
PART NO.	FUNCTION	VDC	VDC	Amp	Watt	R.P.M.	m ³ /min	CFM	mmH ₂ O	IN H ₂ O	dB-A
BFB0305LA	/ -F00	5	4.0 to 6.0	0.06	0.30	5500	0.030	1.06	3.66	0.144	24.0
BFB0312LA	-R00/ -F00	12	7.0 to 13.2	0.04	0.48						
BFB0305MA	/ -F00	5	4.0 to 6.0	0.08	0.40	6500	0.035	1.24	5.23	0.206	26.0
BFB0312MA	-R00/ -F00	12	7.0 to 13.2	0.05	0.60						
BFB0305HA	/ -F00	5	4.0 to 6.0	0.11	0.55	7500	0.041	1.45	7.24	0.285	29.0
BFB0312HA	-R00/ -F00	12	7.0 to 13.2	0.07	0.84						
BFB0305HHA	/ -F00	5	4.0 to 6.0	0.17	0.85	8500	0.047	1.66	9.40	0.370	31.0
BFB0312HHA	-R00/ -F00	12	7.0 to 13.2	0.08	0.96						

* Function type is optional.
 * The max. air flow and the speed are measured in free air ; max. air pressure is measured at zero air flow.
 * Noise is measured in anechoic chamber in free air, one meter from intake side.
 * All readings are typical values at rated voltage.
 * Specifications are subject to change without notice.

BFB 35 x 35 x 10 MM SERIES

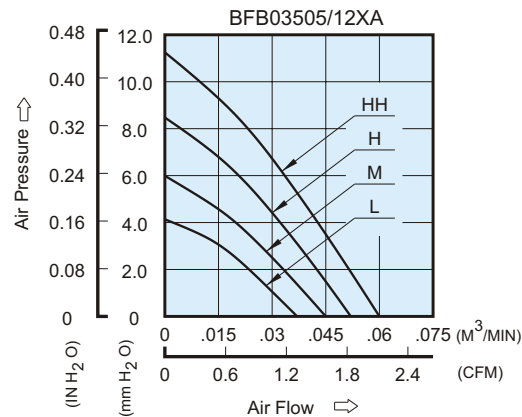
DIMENSIONS DRAWING



UNIT: $\frac{\text{mm}}{(\text{INCH})}$

- * Bearing Type
Ball Bearings
- * Material
Impeller & Frame : Plastic (UL 94V-0)
- * Lead Wires :
UL 1571 AWG #28 OR Equivalent
Red Wire Positive (+)
Black Wire Negative (-)
- * Weight : 11g (0.39 oz)

P & Q CURVE (AT RATED VOLTAGE)

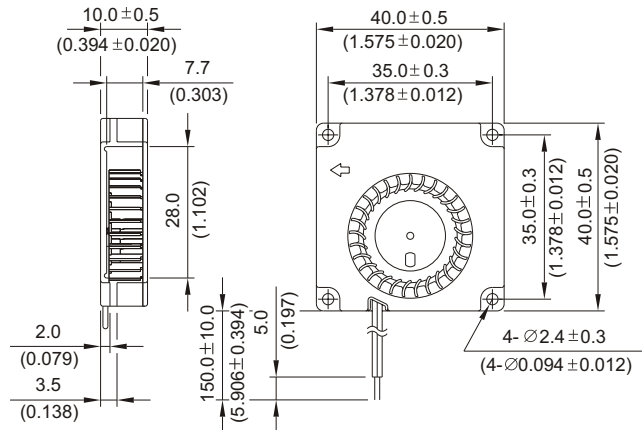
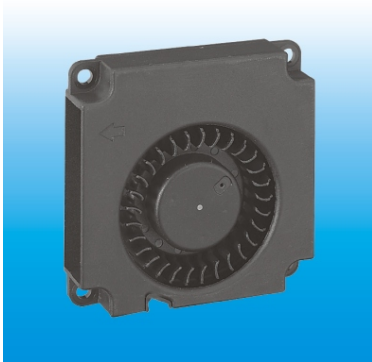


MODEL		Rated Voltage	Operating Voltage Range	Rated Current	Rated Input Power	Speed	Maximum Air Flow		Maximum Air Pressure		Noise
PART NO.	FUNCTION	VDC	VDC	Amp	Watt	R.P.M.	m ³ /min	CFM	mmH ₂ O	IN H ₂ O	dB-A
BFB03505LA	/ -F00	5	4.0 to 6.0	0.05	0.25	5500	0.038	1.34	4.14	0.163	24.0
BFB03512LA	-R00/ -F00	12	7.0 to 13.2	0.04	0.48						
BFB03505MA	/ -F00	5	4.0 to 6.0	0.08	0.40	6500	0.045	1.59	6.00	0.236	26.0
BFB03512MA	-R00/ -F00	12	7.0 to 13.2	0.05	0.60						
BFB03505HA	/ -F00	5	4.0 to 6.0	0.11	0.55	7500	0.052	1.84	8.50	0.335	29.0
BFB03512HA	-R00/ -F00	12	7.0 to 13.2	0.07	0.84						
BFB03505HHA	/ -F00	5	4.0 to 6.0	0.19	0.95	8500	0.060	2.12	11.25	0.443	31.0
BFB03512HHA	-R00/ -F00	12	7.0 to 13.2	0.08	0.96						

* Function type is optional.
 * The max. air flow and the speed are measured in free air ; max. air pressure is measured at zero air flow.
 * Noise is measured in anechoic chamber in free air, one meter from intake side.
 * All readings are typical values at rated voltage.
 * Specifications are subject to change without notice.

BFB 40 x 40 x 10 MM SERIES

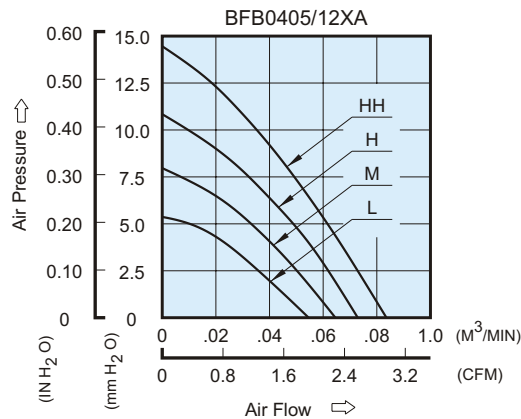
DIMENSIONS DRAWING



UNIT: $\frac{\text{mm}}{\text{(INCH)}}$

- * Bearing Type
Ball Bearings
- * Material
Impeller & Frame : Plastic (UL 94V-0)
- * Lead Wires :
UL 1571 AWG #28 OR Equivalent
Red Wire Positive (+)
Black Wire Negative (-)
- * Weight : 12g (0.42 oz)

P & Q CURVE (AT RATED VOLTAGE)

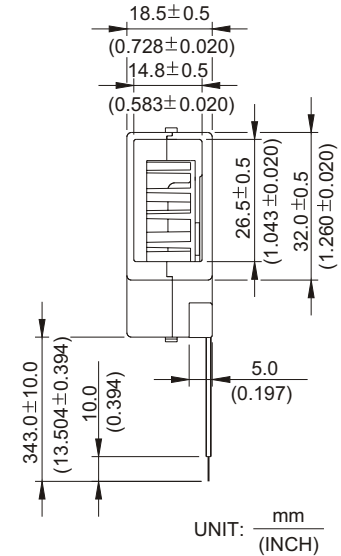
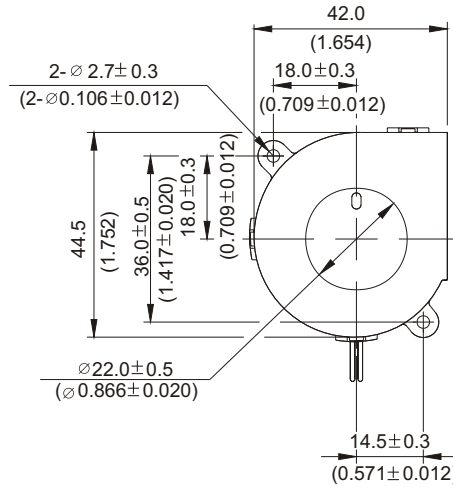


MODEL		Rated Voltage	Operating Voltage Range	Rated Current	Rated Input Power	Speed	Maximum Air Flow		Maximum Air Pressure		Noise
PART NO.	FUNCTION	VDC	VDC	Amp	Watt	R.P.M.	m ³ /min	CFM	mmH ₂ O	IN H ₂ O	dB-A
BFB0405LA	/ -F00	5	4.0 to 6.0	0.07	0.35	5500	0.055	1.94	5.37	0.211	28.0
BFB0412LA	-R00 / -F00	12	7.0 to 13.2	0.05	0.60						
BFB0405MA	/ -F00	5	4.0 to 6.0	0.11	0.55	6500	0.065	2.30	7.93	0.312	29.5
BFB0412MA	-R00 / -F00	12	7.0 to 13.2	0.06	0.72						
BFB0405HA	/ -F00	5	4.0 to 6.0	0.17	0.85	7500	0.074	2.61	10.85	0.427	32.5
BFB0412HA	-R00 / -F00	12	7.0 to 13.2	0.08	0.96						
BFB0405HHA	/ -F00	5	4.0 to 6.0	0.22	1.10	8500	0.085	3.00	14.33	0.564	34.5
BFB0412HHA	-R00 / -F00	12	7.0 to 13.2	0.10	1.20						

* Function type is optional.
 * The max. air flow and the speed are measured in free air ; max. air pressure is measured at zero air flow.
 * Noise is measured in anechoic chamber in free air, one meter from intake side.
 * All readings are typical values at rated voltage.
 * Specifications are subject to change without notice.

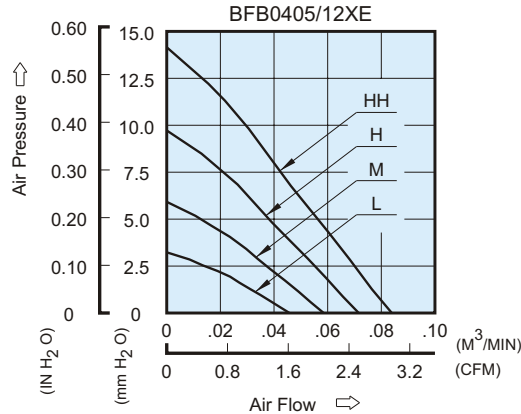
BFB 42 x 45 x 19 MM SERIES

DIMENSIONS DRAWING



- * Bearing Type
Ball Bearings
- * Material
Impeller & Frame : Plastic (UL 94V-0)
- * Lead Wires :
UL 1061 AWG #26 OR Equivalent
Red Wire Positive (+)
Black Wire Negative (-)
- * Weight : 22g (0.78 oz)

P & Q CURVE (AT RATED VOLTAGE)

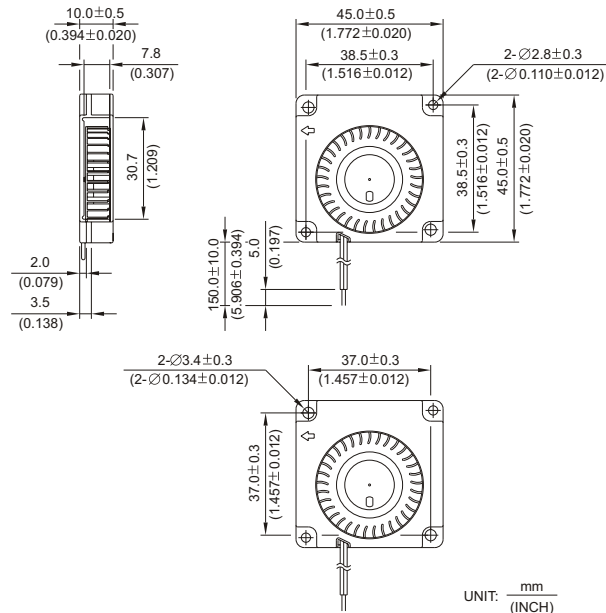
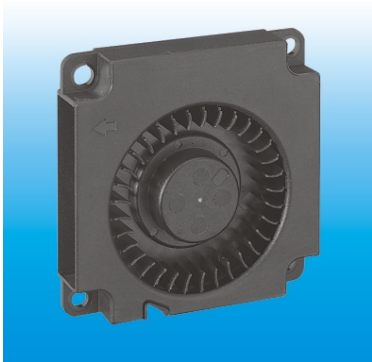


MODEL		Rated Voltage	Operating Voltage Range	Rated Current	Rated Input Power	Speed	Maximum Air Flow		Maximum Air Pressure		Noise
PART NO.	FUNCTION	VDC	VDC	Amp	Watt	R.P.M.	m ³ /min	CFM	mmH ₂ O	IN H ₂ O	dB-A
BFB0405LE	-R00 / -F00	5	4.0 to 5.5	0.06	0.30	3500	0.046	1.62	3.23	0.127	26.0
BFB0412LE	-R00 / -F00	12	10.0 to 13.8	0.04	0.48						
BFB0405ME	-R00 / -F00	5	4.0 to 5.5	0.13	0.65	4500	0.059	2.08	5.92	0.233	30.0
BFB0412ME	-R00 / -F00	12	10.0 to 13.8	0.05	0.60						
BFB0405HE	-R00 / -F00	5	4.0 to 5.5	0.22	1.10	5500	0.072	2.54	9.72	0.383	35.5
BFB0412HE	-R00 / -F00	12	10.0 to 13.8	0.07	0.84						
BFB0412HHE	-R00 / -F00	12	10.0 to 13.8	0.11	1.32	6500	0.084	2.97	14.15	0.557	39.5

* Function type is optional.
 * The max. air flow and the speed are measured in free air ; max. air pressure is measured at zero air flow.
 * Noise is measured in anechoic chamber in free air, one meter from intake side.
 * All readings are typical values at rated voltage.
 * Specifications are subject to change without notice.

BFB 45 x 45 x 10 MM SERIES

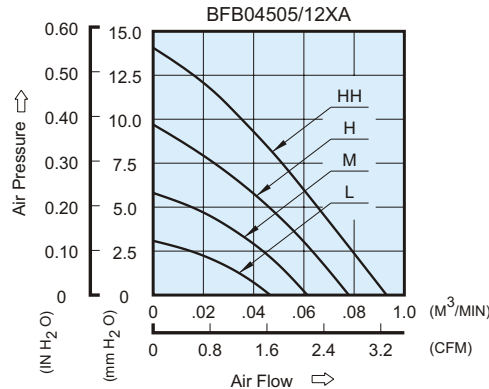
DIMENSIONS DRAWING



UNIT: $\frac{\text{mm}}{\text{(INCH)}}$

- * Bearing Type
Ball Bearings
- * Material
Impeller & Frame : Plastic (UL 94V-0)
- * Lead Wires :
UL 1571 AWG #28 OR Equivalent
Red Wire Positive (+)
Black Wire Negative (-)
- * Weight : 13g (0.46 oz)

P & Q CURVE (AT RATED VOLTAGE)



MODEL		Rated Voltage	Operating Voltage Range	Rated Current	Rated Input Power	Speed	Maximum Air Flow		Maximum Air Pressure		Noise
PART NO.	FUNCTION	VDC	VDC	Amp	Watt	R.P.M.	m ³ /min	CFM	mmH ₂ O	IN H ₂ O	dB-A
BFB04505LA	/ -F00	5	4.0 to 6.0	0.07	0.35	3500	0.047	1.66	3.11	0.122	21.5
BFB04512LA	-R00/ -F00	12	7.0 to 13.2	0.05	0.60						
BFB04505MA	/ -F00	5	4.0 to 6.0	0.11	0.55	4500	0.061	2.15	5.78	0.228	27.0
BFB04512MA	-R00/ -F00	12	7.0 to 13.2	0.06	0.72						
BFB04505HA	/ -F00	5	4.0 to 6.0	0.17	0.85	5500	0.078	2.75	9.72	0.383	30.5
BFB04512HA	-R00/ -F00	12	7.0 to 13.2	0.09	1.08						
BFB04505HHA	/ -F00	5	4.0 to 6.0	0.24	1.20	6500	0.093	3.28	14.09	0.555	35.5
BFB04512HHA	-R00/ -F00	12	7.0 to 13.2	0.14	1.68						

* Function type is optional.
 * The max. air flow and the speed are measured in free air ; max. air pressure is measured at zero air flow.
 * Noise is measured in anechoic chamber in free air, one meter from intake side.
 * All readings are typical values at rated voltage.
 * Specifications are subject to change without notice.

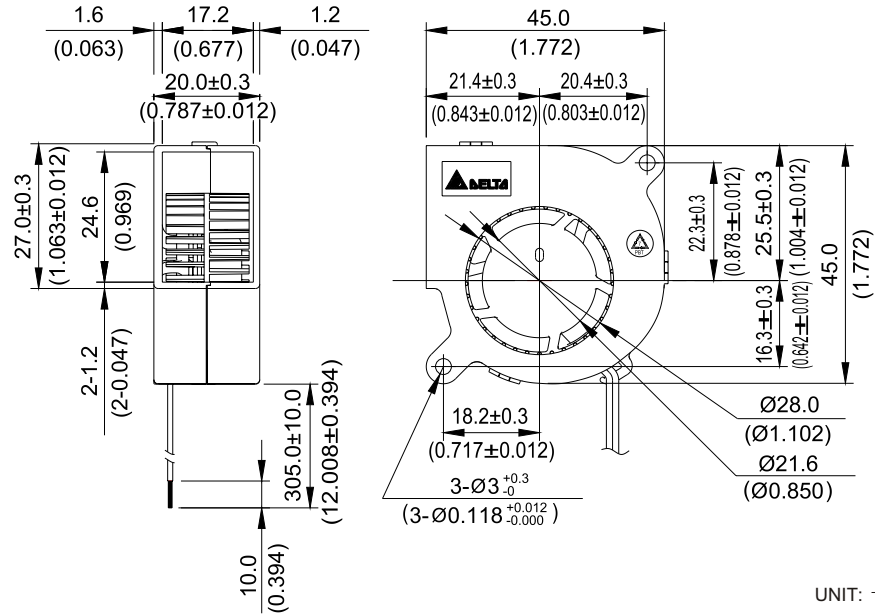
New



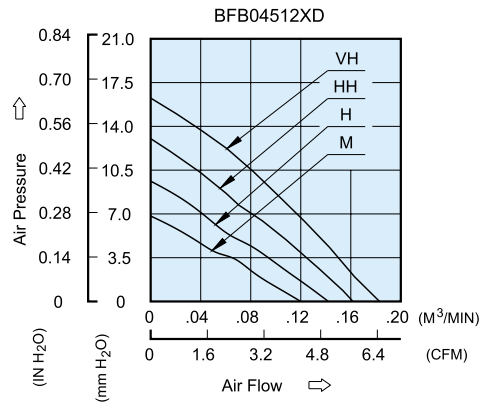
- * Bearing Type
Ball Bearings
- * Material
Impeller & Frame : Plastic (UL94V-0)
- * Lead Wires :
UL 1571 AWG#28 OR Equivalent
Red Wire Positive (+)
Black Wire Negative (-)
- * Weight : 17g (0.60 oz)

BFB 45 x 45 x 20 MM SERIES

DIMENSIONS DRAWING



P & Q CURVE (AT RATED VOLTAGE)

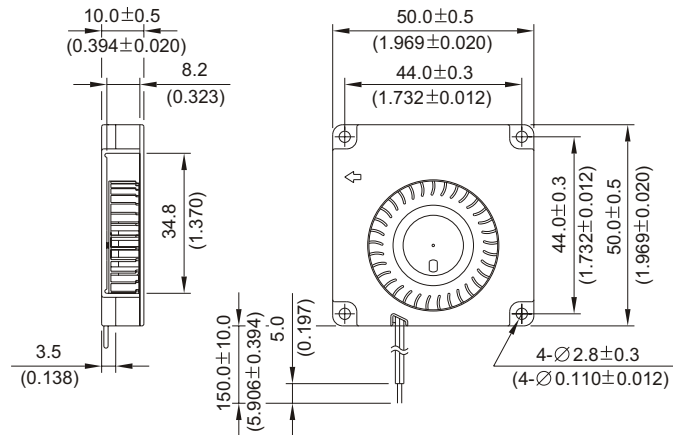


MODEL		Rated Voltage	Operating Voltage Range	Rated Current	Rated Input Power	Speed	Maximum Air Flow		Maximum Air Pressure		Noise
PART NO.	FUNCTION	VDC	VDC	Amp	Watt	R.P.M.	m ³ /min	CFM	mmH ₂ O	IN H ₂ O	dB-A
BFB04512MD	-R00 / -F00	12	5.0 to 13.8	0.07	0.84	3300	0.120	4.24	6.83	0.269	21.0
BFB04512HD	-R00 / -F00	12	5.0 to 13.8	0.10	1.20	3800	0.139	4.91	9.29	0.366	24.5
BFB04512HHD	-R00 / -F00	12	5.0 to 13.8	0.13	1.56	4200	0.161	5.68	12.95	0.510	28.0
BFB04512VHD	-R00 / -F00	12	5.0 to 13.8	0.15	1.80	4500	0.170	6.01	14.15	0.557	30.5

* Function type is optional.
 * The max. air flow and the speed are measured in free air ; max. air pressure is measured at zero air flow.
 * Noise is measured in anechoic chamber in free air, one meter from intake side.
 * All readings are typical values at rated voltage.
 * Specifications are subject to change without notice.

BFB 50 x 50 x 10 MM SERIES

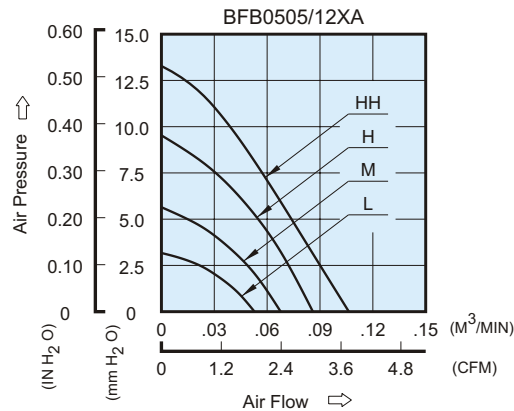
DIMENSIONS DRAWING



UNIT: $\frac{\text{mm}}{\text{INCH}}$

- * Bearing Type
Ball Bearings
- * Material
Impeller & Frame : Plastic (UL 94V-0)
- * Lead Wires :
UL 1571 AWG #28 OR Equivalent
Red Wire Positive (+)
Black Wire Negative (-)
- * Weight : 16.5g (0.58 oz)

P & Q CURVE (AT RATED VOLTAGE)

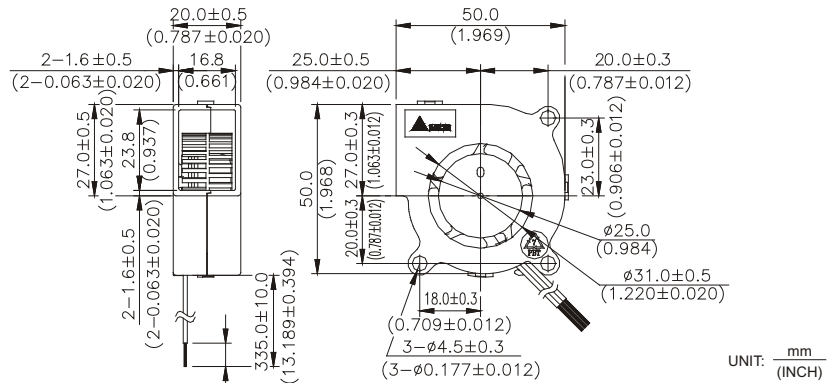


MODEL		Rated Voltage	Operating Voltage Range	Rated Current	Rated Input Power	Speed	Maximum Air Flow		Maximum Air Pressure		Noise
PART NO.	FUNCTION	VDC	VDC	Amp	Watt	R.P.M.	m ³ /min	CFM	mmH ₂ O	IN H ₂ O	dB-A
BFB0505LA	/ -F00	5	4.0 to 6.0	0.07	0.35	3500	0.053	1.87	3.18	0.125	22.5
BFB0512LA	-R00/ -F00	12	7.0 to 13.2	0.05	0.60						
BFB0505MA	/ -F00	5	4.0 to 6.0	0.11	0.55	4500	0.068	2.40	5.64	0.222	28.0
BFB0512MA	-R00/ -F00	12	7.0 to 13.2	0.07	0.84						
BFB0505HA	/ -F00	5	4.0 to 6.0	0.18	0.90	5500	0.086	3.04	9.47	0.373	32.5
BFB0512HA	-R00/ -F00	12	7.0 to 13.2	0.09	1.08						
BFB0512HHA	-R00/ -F00	12	7.0 to 13.2	0.14	1.68						

* Function type is optional.
 * The max. air flow and the speed are measured in free air ; max. air pressure is measured at zero air flow.
 * Noise is measured in anechoic chamber in free air, one meter from intake side.
 * All readings are typical values at rated voltage.
 * Specifications are subject to change without notice.

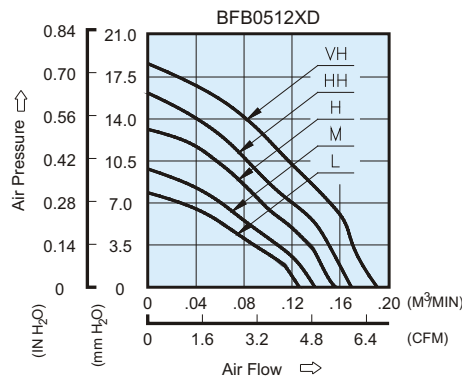
BFB 50 x 50 x 20 MM SERIES

DIMENSIONS DRAWING



- * Bearing Type
Ball Bearings
- * Material
Impeller & Frame : Plastic(UL 94V-0)
- * Lead Wires :
UL 1061 AWG #26 OR Equivalent
Red Wire Positive(+)
Black Wire Negative(-)
- * Weight : 35g (1.23 OZ)

P & Q CURVE (AT RATED VOLTAGE)

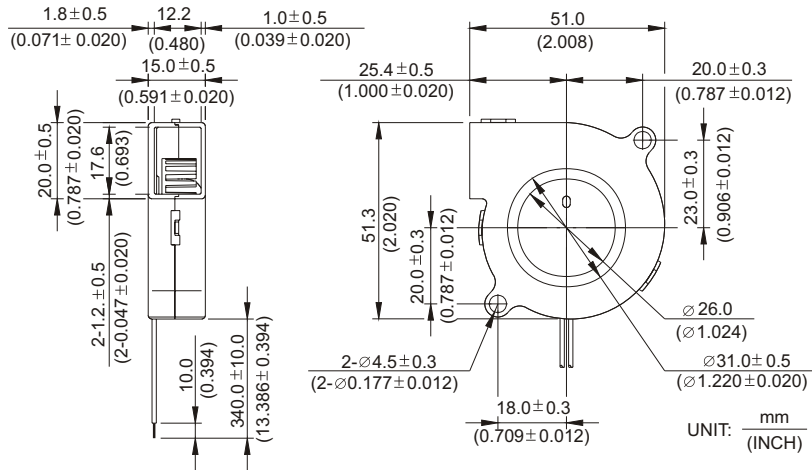
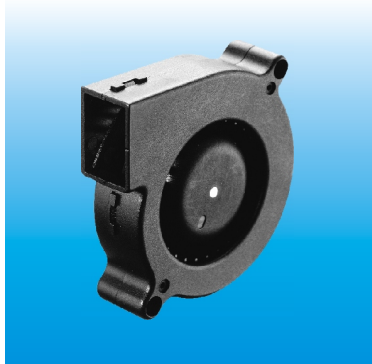


MODEL		Rated Voltage	Operating Voltage Range	Rated Current	Rated Input Power	Speed	Maximum Air Flow		Maximum Air Pressure		Noise
PART NO.	FUNCTION	VDC	VDC	Amp	Watt	R.P.M.	m ³ / min	CFM	mmH ₂ O	IN H ₂ O	dB-A
BFB0512LD	-R00 / -F00	12	5.0 to 13.8	0.12	1.44	3700	0.126	4.45	7.85	0.309	28.0
BFB0512MD	-R00 / -F00	12	5.0 to 13.8	0.13	1.56	4100	0.139	4.91	9.82	0.387	31.0
BFB0512HD	-R00 / -F00	12	5.0 to 13.8	0.14	1.68	4500	0.156	5.51	13.12	0.517	33.8
BFB0512HHD	-R00 / -F00	12	5.0 to 13.8	0.16	1.92	4900	0.165	5.83	16.15	0.636	36.5
BFB0512VHD	-R00 / -F00	12	5.0 to 13.8	0.23	2.76	5300	0.191	6.75	18.60	0.732	38.5

- * Function type is optional.
- * The max. air flow and the speed are measured in free air ; max. air pressure is measured at zero air flow.
- * Noise is measured in anechoic chamber in free air, one meter from intake side.
- * All readings are typical values at rated voltage.
- * Specifications are subject to change without notice.

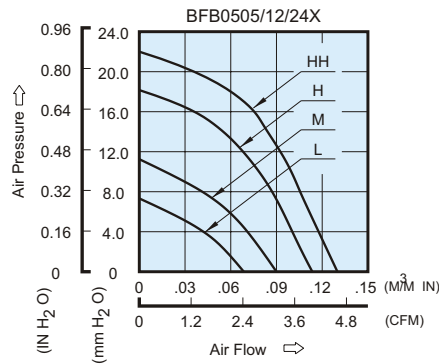
BFB 51 x 51 x 15 MM SERIES

DIMENSIONS DRAWING



- * Bearing Type
Ball Bearings
- * Material
Impeller & Frame : Plastic (UL 94V-0)
- * Lead Wires :
UL 1061 AWG #26 OR Equivalent
Red Wire Positive (+)
Black Wire Negative (-)
- * Weight : 28g (0.99 oz)

P & Q CURVE (AT RATED VOLTAGE)

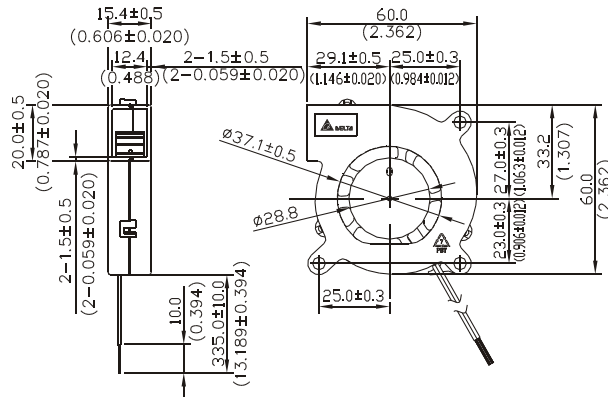


MODEL		Rated Voltage	Operating Voltage Range	Rated Current	Rated Input Power	Speed	Maximum Air Flow		Maximum Air Pressure		Noise
PART NO.	FUNCTION	VDC	VDC	Amp	Watt	R.P.M.	m ³ /min	CFM	mmH ₂ O	IN H ₂ O	dB-A
BFB0505L	-R00/ -F00	5	4.0 to 5.5	0.14	0.70	3500	0.070	2.47	7.00	0.276	26.5
BFB0512L	-R00/ -F00	12	10.0 to 13.8	0.07	0.84						
BFB0524L	-R00/ -F00	24	14.0 to 27.6	0.05	1.20						
BFB0505M	-R00/ -F00	5	4.0 to 5.5	0.33	1.65	4500	0.090	3.18	11.00	0.433	32.5
BFB0512M	-R00/ -F00	12	10.0 to 13.8	0.10	1.20						
BFB0524M	-R00/ -F00	24	14.0 to 27.6	0.07	1.68						
BFB0512H	-R00/ -F00	12	10.0 to 13.8	0.16	1.92	5500	0.110	3.88	18.00	0.709	38.0
BFB0524H	-R00/ -F00	24	14.0 to 27.6	0.09	2.16						
BFB0512HH	-R00/ -F00	12	10.0 to 13.8	0.21	2.52	6500	0.130	4.59	22.00	0.866	45.0
BFB0524HH	-R00/ -F00	24	14.0 to 27.6	0.11	2.64						

* Function type is optional.
 * The max. air flow and the speed are measured in free air ; max. air pressure is measured at zero air flow.
 * Noise is measured in anechoic chamber in free air, one meter from intake side.
 * All readings are typical values at rated voltage.
 * Specifications are subject to change without notice.

BFB 60 x 60 x 15 MM SERIES

DIMENSIONS DRAWING

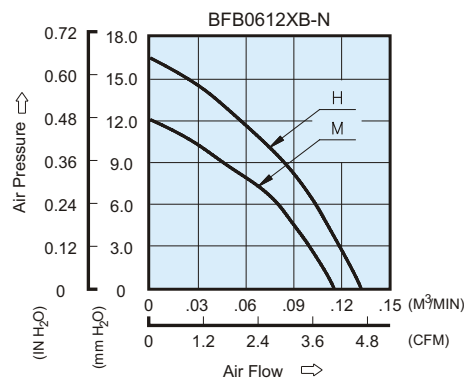


UNIT: $\frac{\text{mm}}{\text{(INCH)}}$



- * Bearing Type
Ball Bearings
- * Material
Impeller & Frame : Plastic(UL 94V-0)
- * Lead Wires :
UL 1430 AWG #26 OR Equivalent
Red Wire Positive(+)
Black Wire Negative(-)
- * Weight : 45g (1.59 OZ)

P & Q CURVE (AT RATED VOLTAGE)



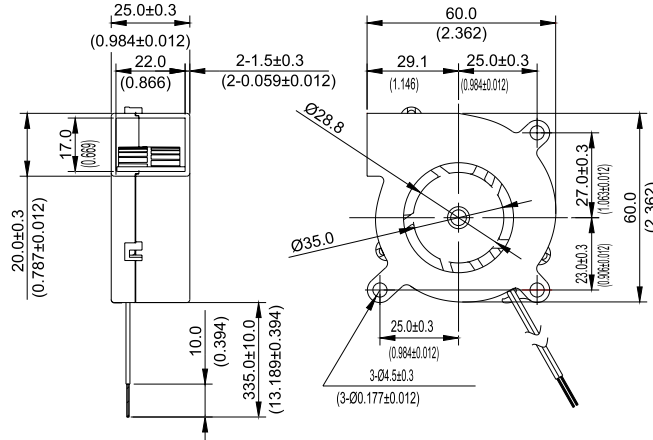
MODEL			Rated Voltage	Operating Voltage Range	Rated Current	Rated Input Power	Speed	Maximum Air Flow		Maximum Air Pressure		Noise
PART NO.	REV.	FUNCTION	VDC	VDC	Amp	Watt	R.P.M.	m ³ /min	CFM	mmH ₂ O	IN H ₂ O	dB-A
BFB0612MB	-N	-R00 / -F00	12	5.0 to 13.8	0.15	1.80	4200	0.114	4.04	12.08	0.476	32.0
BFB0612HB	-N	-R00 / -F00	12	5.0 to 13.8	0.18	2.16	4800	0.132	4.67	16.53	0.651	37.0

- * Function type is optional.
- * The max. air flow and the speed are measured in free air ; max. air pressure is measured at zero air flow.
- * Noise is measured in anechoic chamber in free air, one meter from intake side.
- * All readings are typical values at rated voltage.
- * Specifications are subject to change without notice.

New

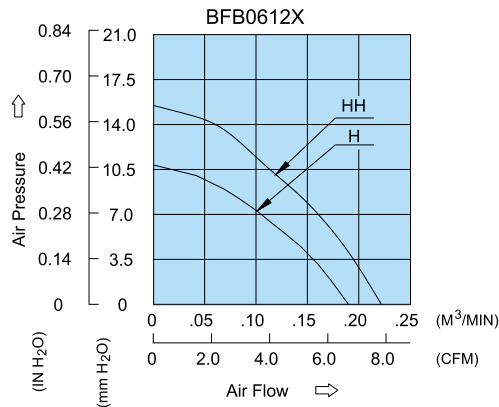
BFB 60 x 60 x 25 MM SERIES

DIMENSIONS DRAWING



UNIT: $\frac{\text{mm}}{\text{(INCH)}}$

P & Q CURVE (AT RATED VOLTAGE)

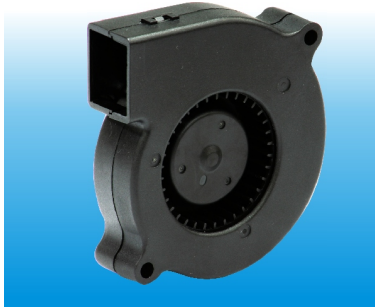


- * Bearing Type
Ball Bearings
- * Material
Impeller & Frame: Plastic (UL94V-0)
- * Lead Wires :
UL 1430AWG#26 OR Equivalent
Red Wire Positive (+)
Black Wire Negative (-)
- * Weight : 51.0g (1.80 oz)

MODEL		Rated Voltage	Operating Voltage Range	Rated Current	Rated Input Power	Speed	Maximum Air Flow		Maximum Air Pressure		Noise
PART NO.	FUNCTION	VDC	VDC	Amp	Watt	R.P.M.	m ³ /min	CFM	mmH ₂ O	IN H ₂ O	dB-A
BFB0612H	-R00 / -F00	12	5.0 to 13.8	0.18	2.16	3200	0.190	6.71	10.86	0.428	34.0
BFB0612HH	-R00 / -F00	12	5.0 to 13.8	0.24	2.88	3700	0.223	7.88	15.49	0.610	39.0

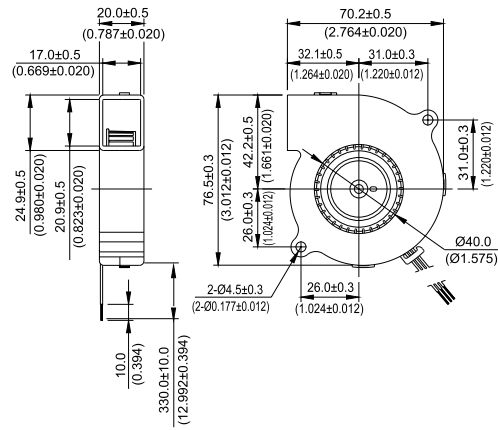
- * Function type is optional.
- * The max. air flow and the speed are measured in free air ; max. air pressure is measured at zero air flow.
- * Noise is measured in anechoic chamber in free air, one meter from intake side.
- * All readings are typical values at rated voltage.
- * Specifications are subject to change without notice.

New



BFB 70 x 70 x 20 MM SERIES

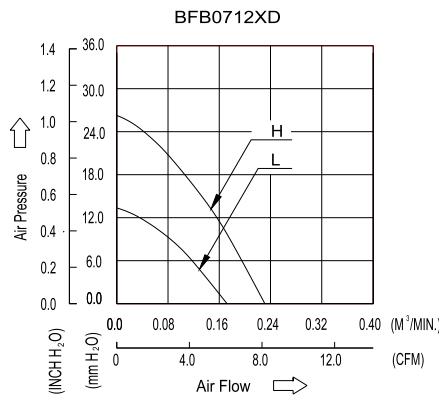
DIMENSIONS DRAWING



UNIT: $\frac{\text{mm}}{\text{(INCH)}}$

- * Bearing Type
Ball Bearings
- * Material
Impeller & Frame : Plastic (UL94V-0)
- * Lead Wires :
UL 1007 AWG #24 OR Equivalent
Red Wire Positive (+)
Black Wire Negative (-)
- * Weight : 58g (2.05 oz)

P & Q CURVE (AT RATED VOLTAGE)

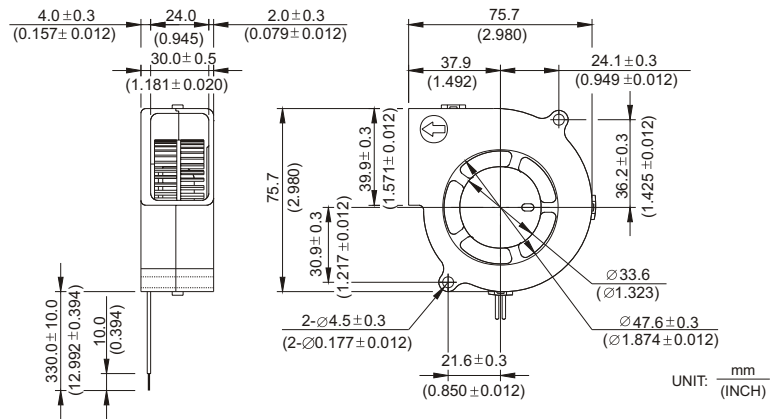


MODEL		Rated Voltage	Operating Voltage Range	Rated Current	Rated Input Power	Speed	Maximum Air Flow		Maximum Air Pressure		Noise
PART NO.	FUNCTION	VDC	VDC	Amp	Watt	R.P.M.	m ³ /min	CFM	mmH ₂ O	IN H ₂ O	dB-A
BFB0712LD	-R00 / -F00	12	7.0 to 13.8	0.13	1.56	2800	0.172	6.07	13.36	0.562	32.5
BFB0712HD	-R00 / -F00	12	7.0 to 13.8	0.31	3.72	4000	0.231	8.52	26.27	1.034	42.0

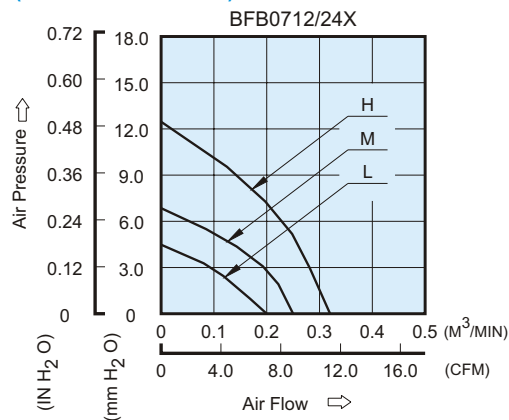
* Function type is optional.
 * The max. air flow and the speed are measured in free air ; max. air pressure is measured at zero air flow.
 * Noise is measured in anechoic chamber in free air, one meter from intake side.
 * All readings are typical values at rated voltage.

BFB 75 x 75 x 30 MM SERIES

DIMENSIONS DRAWING



P & Q CURVE (AT RATED VOLTAGE)



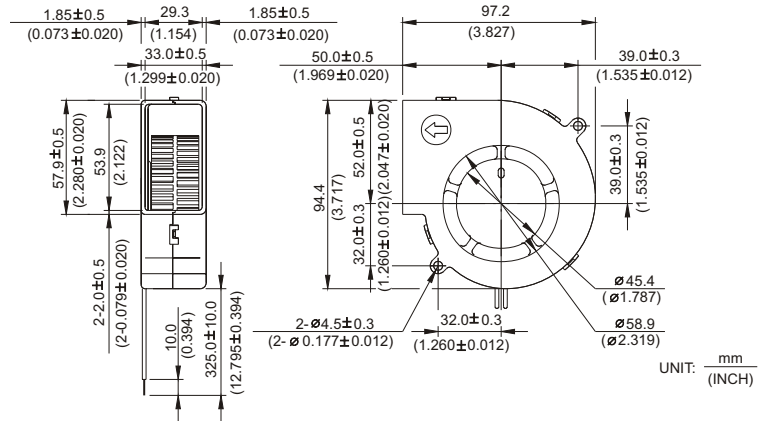
- * Bearing Type
Ball Bearings
- * Material
Impeller & Frame : Plastic (UL 94V-0)
- * Lead Wires :
UL 1007 AWG #24 OR Equivalent
Red Wire Positive (+)
Black Wire Negative (-)
- * Weight : 95g (3.35 oz)

MODEL		Rated Voltage	Operating Voltage Range	Rated Current	Rated Input Power	Speed	Maximum Air Flow		Maximum Air Pressure		Noise
PART NO.	FUNCTION	VDC	VDC	Amp	Watt	R.P.M.	m ³ /min	CFM	mmH ₂ O	IN H ₂ O	dB-A
BFB0712L	-R00 / -F00	12	7.0 to 13.8	0.06	0.72	1900	0.198	7.00	4.00	0.157	26.0
BFB0724L	-R00 / -F00	24	14.0 to 27.6	0.05	1.20						
BFB0712M	-R00 / -F00	12	7.0 to 13.8	0.13	1.56	2350	0.255	9.00	6.80	0.268	32.0
BFB0724M	-R00 / -F00	24	14.0 to 27.6	0.07	1.68						
BFB0712H	-R00 / -F00	12	7.0 to 13.8	0.22	2.64	2900	0.320	11.30	12.20	0.480	38.0
BFB0724H	-R00 / -F00	24	14.0 to 27.6	0.12	2.88						

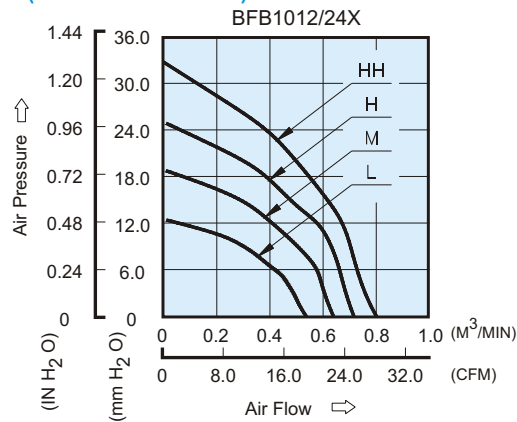
* Function type is optional.
 * The max. air flow and the speed are measured in free air ; max. air pressure is measured at zero air flow.
 * Noise is measured in anechoic chamber in free air, one meter from intake side.
 * All readings are typical values at rated voltage.
 * Specifications are subject to change without notice.

BFB 97 x 94 x 33 MM SERIES

DIMENSIONS DRAWING



P & Q CURVE (AT RATED VOLTAGE)



- * Bearing Type
Ball Bearings
- * Material
Impeller & Frame : Plastic (UL 94V-0)
- * Lead Wires :
UL 1007 AWG #24 OR Equivalent
Red Wire Positive (+)
Black Wire Negative (-)
- * Weight : 160g (5.64 oz)

MODEL		Rated Voltage	Operating Voltage Range	Rated Current	Rated Input Power	Speed	Maximum Air Flow		Maximum Air Pressure		Noise
PART NO.	FUNCTION	VDC	VDC	Amp	Watt	R.P.M.	m ³ /min	CFM	mmH ₂ O	IN H ₂ O	dB-A
BFB1012L	-R00 / -F00	12	4.0 to 13.8	0.32	3.84	2700	0.540	19.07	12.70	0.500	45.0
BFB1024L	-R00 / -F00	24	7.0 to 27.6	0.16	3.84						
BFB1012M	-R00 / -F00	12	4.0 to 13.8	0.57	6.84	3200	0.640	22.60	19.00	0.748	49.0
BFB1024M	-R00 / -F00	24	7.0 to 27.6	0.26	6.24						
BFB1012H	-R00 / -F00	12	4.0 to 13.8	0.80	9.60	3600	0.720	25.43	25.40	1.000	52.0
BFB1024H	-R00 / -F00	24	7.0 to 27.6	0.40	9.60						
BFB1012HH	-R00 / -F00	12	4.0 to 13.2	1.10	13.20	4000	0.800	28.25	33.00	1.299	55.0
BFB1024HH	-R00 / -F00	24	7.0 to 27.6	0.55	13.20						

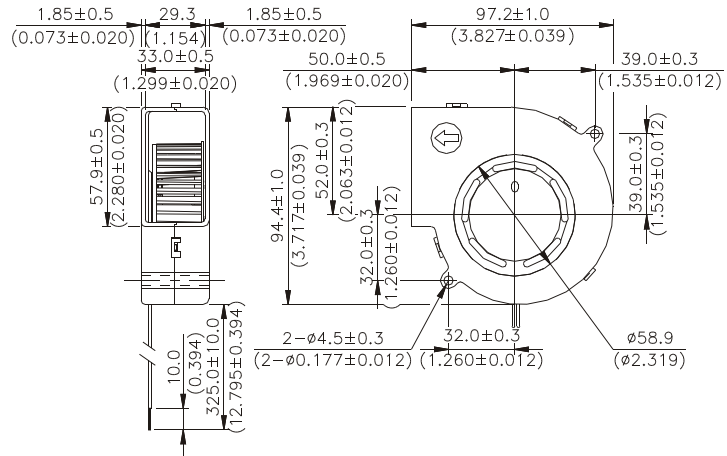
* Function type is optional.
 * The max. air flow and the speed are measured in free air ; max. air pressure is measured at zero air flow.
 * Noise is measured in anechoic chamber in free air, one meter from intake side.
 * All readings are typical values at rated voltage.
 * Specifications are subject to change without notice.

New



BFB 97 x 94 x 33 MM SERIES

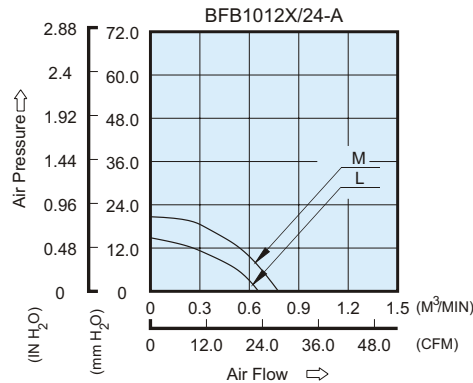
DIMENSIONS DRAWING



UNIT: $\frac{\text{mm}}{\text{(INCH)}}$

- * Bearing Type
Ball Bearings
- * Material
Impeller & Frame : Plastic (UL 94V-0)
- * Lead Wires :
UL 1007 AWG #24 OR Equivalent
Red Wire Positive (+)
Black Wire Negative (-)
- * Weight : 166g (5.85 oz)

P & Q CURVE (AT RATED VOLTAGE)



MODEL			Rated Voltage	Operating Voltage Range	Rated Current	Rated Input Power	Speed	Maximum Air Flow		Maximum Air Pressure		Noise
PART NO.	REV.	FUNCTION	VDC	VDC	Amp	Watt	R.P.M.	m ³ /min	CFM	mmH ₂ O	IN H ₂ O	dB-A
BFB1012L	-A	R00/F00	12	4.0 to 13.2	0.37	4.44	2700	0.656	23.17	14.85	0.585	49.5
BFB1012M	-A	R00/F00	12	4.0 to 13.2	0.55	6.60	3200	0.777	27.44	22.68	0.893	52.5

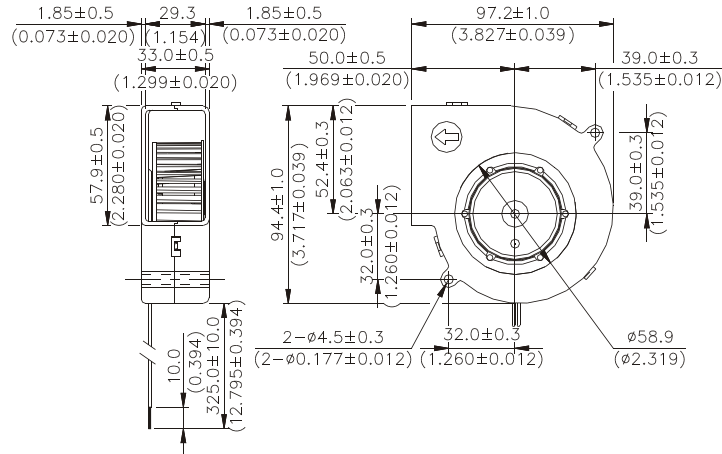
- * Function type is optional.
- * The max. air flow and the speed are measured in free air ; max. air pressure is measured at zero air flow.
- * Noise is measured in anechoic chamber in free air, one meter from intake side.
- * All readings are typical values at rated voltage.
- * Specifications are subject to change without notice.

BFB 97 x 94 x 33 MM SERIES

New



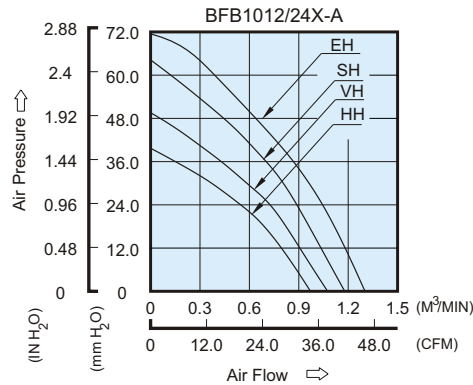
DIMENSIONS DRAWING



UNIT: $\frac{\text{mm}}{\text{(INCH)}}$

- * Bearing Type
Ball Bearings
- * Material
Impeller & Frame : Plastic (UL 94V-0)
- * Lead Wires :
UL 1007 AWG #24 OR Equivalent
Red Wire Positive (+)
Black Wire Negative (-)
- * Weight : 180g (6.35 oz)

P & Q CURVE (AT RATED VOLTAGE)

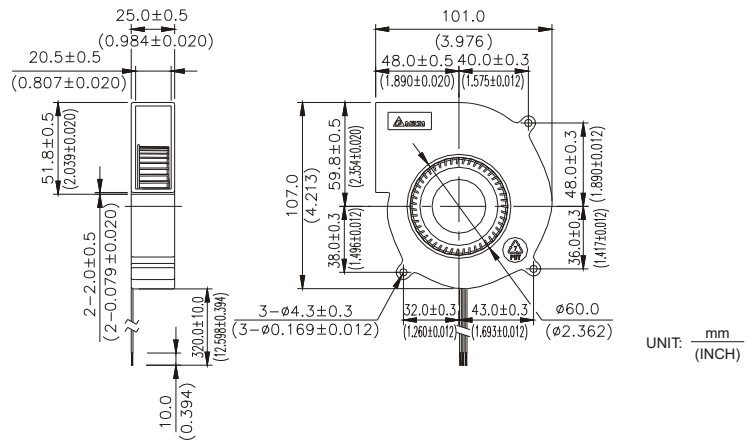


MODEL			Rated Voltage	Operating Voltage Range	Rated Current	Rated Input Power	Speed	Maximum Air Flow		Maximum Air Pressure		Noise
PART NO.	REV.	FUNCTION	VDC	VDC	Amp	Watt	R.P.M.	m ³ /min	CFM	mmH ₂ O	IN H ₂ O	dB-A
BFB1012HH	-A	R00/F00	12	7.0 to 13.2	1.25	15.00	4000	0.971	34.28	39.70	1.564	57.0
BFB1012VH	-A	R00/F00	12	7.0 to 13.2	1.50	18.00	4500	1.075	37.97	49.58	1.952	60.0
BFB1012SH	-A	R00/F00	12	7.0 to 12.6	2.00	24.00	5000	1.179	41.65	64.23	2.529	63.0
BFB1012EH	-A	R00/F00	12	7.0 to 12.6	2.45	29.40	5300	1.302	46.00	71.48	2.814	64.0

* Function type is optional.
 * The max. air flow and the speed are measured in free air ; max. air pressure is measured at zero air flow.
 * Noise is measured in anechoic chamber in free air, one meter from intake side.
 * All readings are typical values at rated voltage.
 * Specifications are subject to change without notice.

BFB 101 x 107 x 25 MM SERIES

DIMENSIONS DRAWING

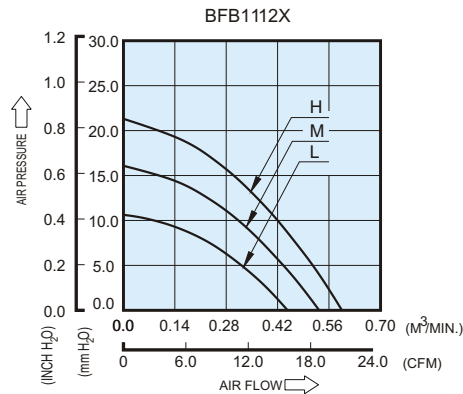


UNIT: mm
(INCH)



- * Bearing Type
Ball Bearings
- * Material
Impeller & Frame : Plastic(UL 94V-0)
- * Lead Wires :
UL 1007 AWG #24 OR Equivalent
Red Wire Positive(+)
Black Wire Negative(-)
- * Weight : 140.0g (4.94 OZ)

P & Q CURVE (AT RATED VOLTAGE)

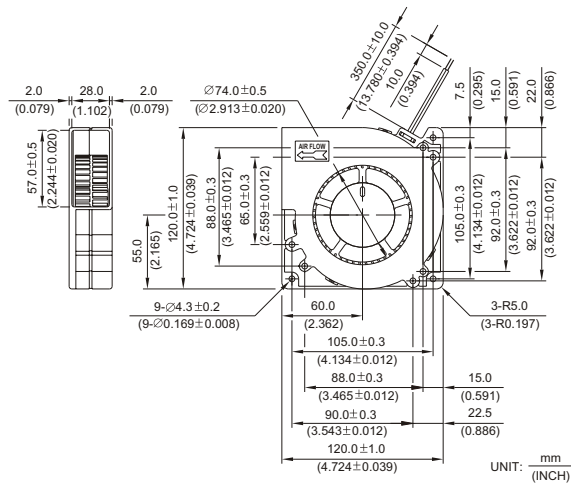
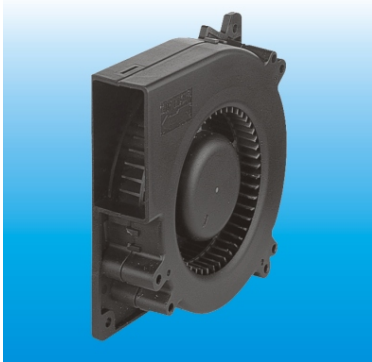


MODEL		Rated Voltage	Operating Voltage Range	Rated Current	Rated Input Power	Speed	Maximum Air Flow		Maximum Air Pressure		Noise
PART NO.	FUNCTION	VDC	VDC	Amp	Watt	R.P.M.	m ³ /min	CFM	mmH ₂ O	IN H ₂ O	dB-A
BFB1112L	-R00 / -F00	12	4.0 to 13.8	0.19	2.28	2400	0.447	15.79	10.65	0.413	41.0
BFB1112M	-R00 / -F00	12	4.0 to 13.8	0.30	3.60	2800	0.533	18.82	16.09	0.633	45.0
BFB1112H	-R00 / -F00	12	4.0 to 13.2	0.51	6.12	3150	0.595	21.02	21.31	0.839	49.0

* Function type is optional.
 * The max. air flow and the speed are measured in free air ; max. air pressure is measured at zero air flow.
 * Noise is measured in anechoic chamber in free air, one meter from intake side.
 * All readings are typical values at rated voltage.
 * Specifications are subject to change without notice.

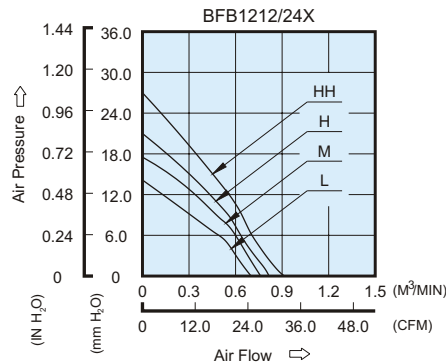
BFB 120 x 120 x 32 MM SERIES

DIMENSIONS DRAWING



- * Bearing Type
Ball Bearings
- * Material
Impeller & Frame : Plastic (UL 94V-0)
- * Lead Wires :
UL 1007 AWG #24 OR Equivalent
Red Wire Positive (+)
Black Wire Negative (-)
- * Weight : 230g (8.11 oz)

P & Q CURVE (AT RATED VOLTAGE)

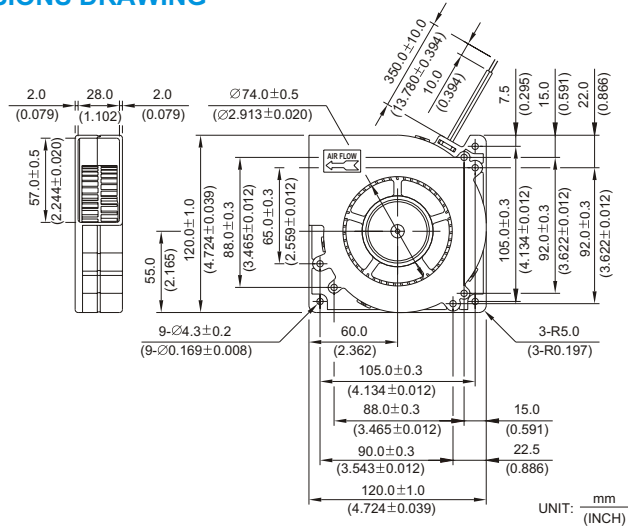
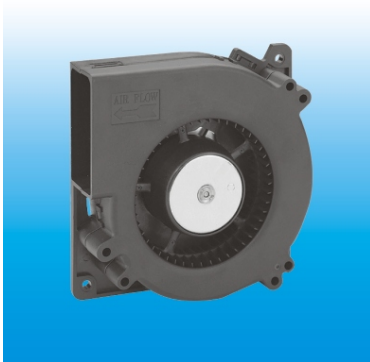


MODEL		Rated Voltage	Operating Voltage Range	Rated Current	Rated Input Power	Speed	Maximum Air Flow		Maximum Air Pressure		Noise
PART NO.	FUNCTION	VDC	VDC	Amp	Watt	R.P.M.	m ³ / min	CFM	mmH ₂ O	IN H ₂ O	dB-A
BFB1212L	-R00 / -F00	12	4.0 to 13.8	0.40	4.80	2100	0.699	24.70	14.00	0.551	47.0
BFB1224L	-R00 / -F00	24	7.0 to 27.6	0.24	5.76						
BFB1212M	-R00 / -F00	12	4.0 to 13.8	0.58	6.96	2300	0.760	26.85	17.50	0.689	48.5
BFB1224M	-R00 / -F00	24	7.0 to 27.6	0.28	6.72						
BFB1212H	-R00 / -F00	12	4.0 to 13.8	0.82	9.84	2500	0.821	29.00	21.00	0.827	51.0
BFB1224H	-R00 / -F00	24	7.0 to 27.6	0.35	8.40						
BFB1212HH	-R00 / -F00	12	4.0 to 13.8	1.10	13.20	2800	0.920	32.49	27.00	1.063	54.0

* Function type is optional.
 * The max. air flow and the speed are measured in free air ; max. air pressure is measured at zero air flow.
 * Noise is measured in anechoic chamber in free air, one meter from intake side.
 * All readings are typical values at rated voltage.
 * Specifications are subject to change without notice.

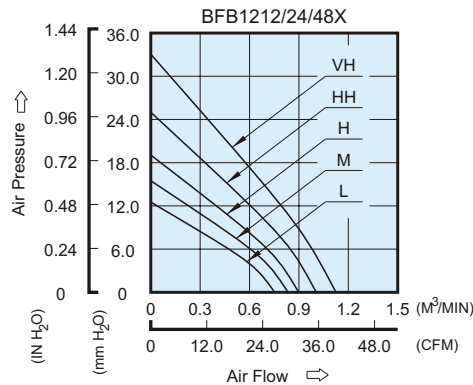
BFB 120 x 120 x 32 MM SERIES

DIMENSIONS DRAWING



- * Bearing Type
Ball Bearings
- * Material
Impeller & Frame : Plastic (UL 94V-0)
- * Lead Wires :
UL 1007 AWG #24 OR Equivalent
Red Wire Positive (+)
Black Wire Negative (-)
- * Weight : 230g (8.11 oz)

P & Q CURVE (AT RATED VOLTAGE)

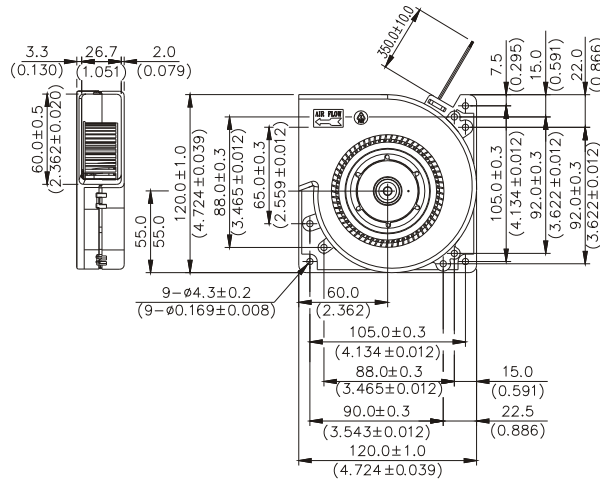


MODEL		Rated Voltage	Operating Voltage Range	Rated Current	Rated Input Power	Speed	Maximum Air Flow		Maximum Air Pressure		Noise
PART NO.	FUNCTION	VDC	VDC	Amp	Watt	R.P.M.	m ³ /min	CFM	mmH ₂ O	IN H ₂ O	dB-A
BFB1248L	-R00 / -F00	48	28.0 to 56.0	0.09	4.32	2100	0.750	26.49	12.50	0.492	47.0
BFB1248M	-R00 / -F00	48	28.0 to 56.0	0.12	5.76	2300	0.830	29.31	15.50	0.610	48.5
BFB1248H	-R00 / -F00	48	28.0 to 56.0	0.15	7.20	2500	0.890	31.43	19.00	0.748	51.0
BFB1224HH	-R00 / -F00	24	7.0 to 27.6	0.54	12.96	2800	1.000	35.31	25.00	0.984	54.0
BFB1248HH	-R00 / -F00	48	28.0 to 56.0	0.22	10.56						
BFB1212VH	-R00 / -F00	12	4.0 to 13.8	1.25	15.00	3100	1.120	39.55	33.00	1.299	56.5
BFB1224VH	-R00 / -F00	24	7.0 to 27.6	0.60	14.40						

* Function type is optional.
 * The max. air flow and the speed are measured in free air ; max. air pressure is measured at zero air flow.
 * Noise is measured in anechoic chamber in free air, one meter from intake side.
 * All readings are typical values at rated voltage.
 * Specifications are subject to change without notice.

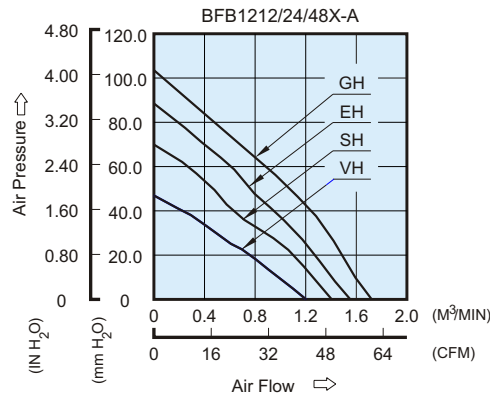
BFB 120 x 120 x 32 MM SERIES

DIMENSIONS DRAWING



UNIT: $\frac{\text{mm}}{\text{(INCH)}}$

P & Q CURVE (AT RATED VOLTAGE)



UNIT: $\frac{\text{mm}}{\text{(INCH)}}$



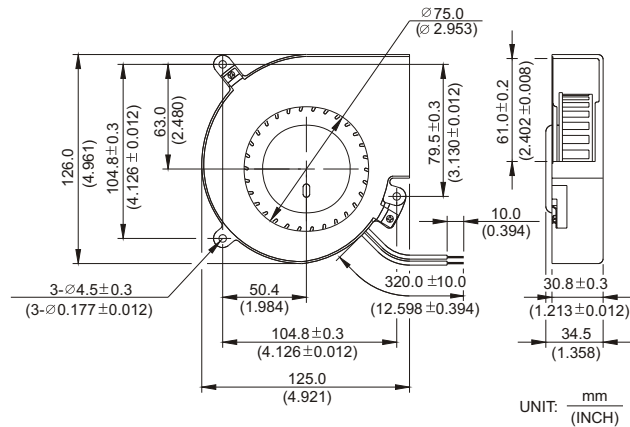
- * Bearing Type
Ball Bearings
- * Material
Impeller & Frame : Plastic (UL 94V-0)
- * Lead Wires :
UL 1430 AWG #22 OR Equivalent
Red Wire Positive (+)
Black Wire Negative (-)
- * Weight : 295.0g (10.40 oz)

MODEL			Rated Voltage	Operating Voltage Range	Rated Current	Rated Input Power	Speed	Maximum Air Flow		Maximum Air Pressure		Noise
PART NO.	REV.	FUNCTION	VDC	VDC	Amp	Watt	R.P.M.	m ³ /min	CFM	mmH ₂ O	IN H ₂ O	dB-A
BFB1212VH	-A	R00/F00	12	5.5 to 13.8	1.47	17.64	3100	1.203	42.47	46.94	1.848	57.0
BFB1224VH	-A	R00/F00	24	14.0 to 27.6	0.70	16.80						
BFB1248VH	-A	R00/F00	48	24.0 to 56.0	0.37	17.39						
BFB1212SH	-A	R00/F00	12	5.5 to 13.8	1.75	21.00	3600	1.406	49.67	69.95	2.754	59.5
BFB1224SH	-A	R00/F00	24	14.0 to 27.6	0.90	21.60						
BFB1248SH	-A	R00/F00	48	24.0 to 56.0	0.49	23.52						
BFB1212EH	-A	R00/F00	12	5.5 to 13.8	2.37	28.44	4000	1.553	54.85	88.51	3.485	62.0
BFB1224EH	-A	R00/F00	24	14.0 to 27.6	1.12	26.88						
BFB1248EH	-A	R00/F00	48	24.0 to 56.0	0.61	29.28						
BFB1212GH	-A	R00/F00	12	5.5 to 13.2	3.30	39.60	4400	1.710	60.39	104.00	4.094	65.0
BFB1224GH	-A	R00/F00	24	14.0 to 27.6	1.60	38.40						
BFB1248GH	-A	R00/F00	48	24.0 to 53.0	0.80	38.40						

* Function type is optional.
 * The max. air flow and the speed are measured in free air ; max. air pressure is measured at zero air flow.
 * Noise is measured in anechoic chamber in free air, one meter from intake side.
 * All readings are typical values at rated voltage.
 * Specifications are subject to change without notice.

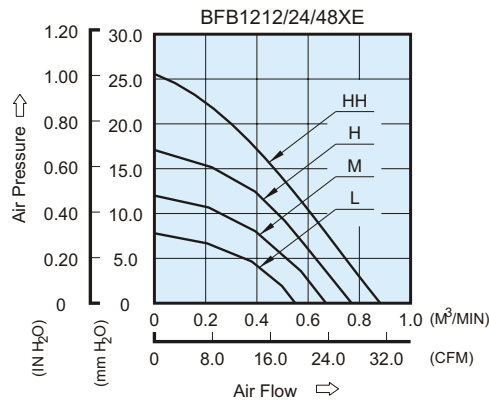
BFB 125 x 126 x 34 MM SERIES

DIMENSIONS DRAWING



- * Bearing Type
Ball Bearings
- * Material
Impeller: Plastic (UL 94V-0)
Frame: Plastic (UL 94V-0) & SECC
- * Lead Wires :
UL 1007 AWG #24 OR Equivalent
Red Wire Positive (+)
Black Wire Negative (-)
- * Weight : 325g (11.46 oz)

P & Q CURVE (AT RATED VOLTAGE)

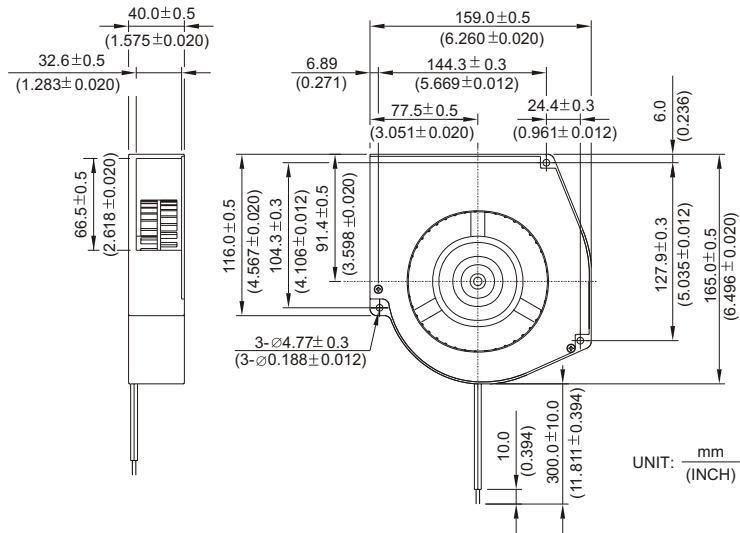


MODEL		Rated Voltage	Operating Voltage Range	Rated Current	Rated Input Power	Speed	Maximum Air Flow		Maximum Air Pressure		Noise
PART NO.	FUNCTION	VDC	VDC	Amp	Watt	R.P.M.	m ³ /min	CFM	mmH ₂ O	IN H ₂ O	dB-A
BFB1212LE	-R00 / -F00	12	7.0 to 13.8	0.24	2.88	1700	0.550	19.42	7.77	0.306	42.0
BFB1224LE	-R00 / -F00	24	14.0 to 27.6	0.13	3.12						
BFB1248LE	-R00 / -F00	48	38.0 to 56.0	0.08	3.84						
BFB1212ME	-R00 / -F00	12	7.0 to 13.8	0.42	5.04	2000	0.670	23.66	12.00	0.472	46.0
BFB1224ME	-R00 / -F00	24	14.0 to 27.6	0.23	5.52						
BFB1248ME	-R00 / -F00	48	38.0 to 56.0	0.12	5.76						
BFB1212HE	-R00 / -F00	12	7.0 to 13.8	0.68	8.16	2300	0.770	27.19	17.80	0.701	51.5
BFB1224HE	-R00 / -F00	24	14.0 to 27.6	0.34	8.16						
BFB1248HE	-R00 / -F00	48	38.0 to 56.0	0.17	8.16						
BFB1212HHE	-R00 / -F00	12	7.0 to 13.2	1.06	12.70	2650	0.870	30.72	25.20	0.992	55.0
BFB1224HHE	-R00 / -F00	24	14.0 to 26.0	0.60	14.40						

* Function type is optional.
 * The max. air flow and the speed are measured in free air ; max. air pressure is measured at zero air flow.
 * Noise is measured in anechoic chamber in free air, one meter from intake side.
 * All readings are typical values at rated voltage.
 * Specifications are subject to change without notice.

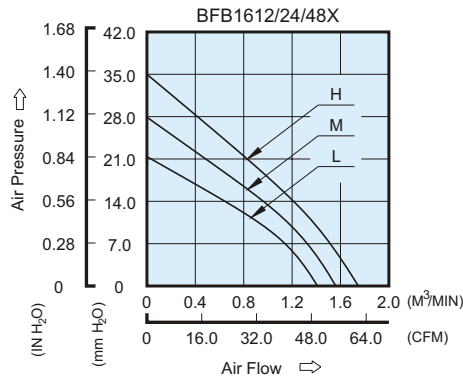
BFB 159 x 165 x 40 MM SERIES

DIMENSIONS DRAWING



- * Bearing Type
Ball Bearings
- * Material
Impeller & Frame : Plastic (UL 94V-0)
- * Lead Wires :
UL 1007 AWG #24 OR Equivalent
Red Wire Positive (+)
Black Wire Negative (-)
- * Weight : 588g (20.74 oz)

P & Q CURVE (AT RATED VOLTAGE)



MODEL		Rated Voltage	Operating Voltage Range	Rated Current	Rated Input Power	Speed	Maximum Air Flow		Maximum Air Pressure		Noise
PART NO.	FUNCTION	VDC	VDC	Amp	Watt	R.P.M.	m ³ /min	CFM	mmH ₂ O	IN H ₂ O	dB-A
BFB1612L	-R00 / -F00	12	7.0 to 13.2	0.80	9.60	1800	1.410	49.79	21.50	0.846	51.5
BFB1624L	-R00 / -F00	24	14.0 to 26.4	0.40	9.60						
BFB1648L	-R00 / -F00	48	28.0 to 56.0	0.22	10.56						
BFB1612M	-R00 / -F00	12	7.0 to 13.2	1.10	13.20	2000	1.560	55.09	28.00	1.102	54.5
BFB1624M	-R00 / -F00	24	14.0 to 26.4	0.56	13.44						
BFB1648M	-R00 / -F00	48	28.0 to 56.0	0.28	13.44						
BFB1612H	-R00 / -F00	12	7.0 to 13.2	1.43	17.16	2200	1.750	61.80	35.00	1.378	56.5
BFB1624H	-R00 / -F00	24	14.0 to 26.4	0.74	17.16						

* Function type is optional.
 * The max. air flow and the speed are measured in free air ; max. air pressure is measured at zero air flow.
 * Noise is measured in anechoic chamber in free air, one meter from intake side.
 * All readings are typical values at rated voltage.
 * Specifications are subject to change without notice.