



Air moving solutions made simple



AC Fans
DC Fans



AC Blowers
DC Blowers



AC Impellers
DC Impellers



AC Motors



Accessories

Search

Part/Model #
Stock Check
Cross-Reference
Keyword

More Products

Heat Sinks
Fan Accessories
Engineering Tools
Airflow Calculator
Thermal Calculator
Unit Conversions

Application Notes

Custom Solutions
Company Info
Contact Info
Technical Capability
Certifications
Terms & Conditions
Employment Ops

Gateway Online

Phone: 858.348.6200 FAX: 858.566.4577

Distributors

Find a Rep

Contact Us

Muffin XL - MD12B5 - 028885 - Yes
(Family) (Model) (Part #) (In Stock)

Electrical Specifications

Operating Voltage:	12 Volts
Voltage Range:	6 - 14 Volts
Power Supply:	6.0 Watts
Line Current:	0.50 Amps
Locked Rotor Current	1.65 Amps
Nominal Speed:	3330 RPM

Mechanical Specifications

Dimensions:	4.7 x 4.7 x 1.5 in
Weight	21.5 oz
Max Airflow @ 0 in H ₂ O	110.0 CFM
Max Pressure @ 0 CFM	0.278 in H ₂ O
Noise	50.0 dBA

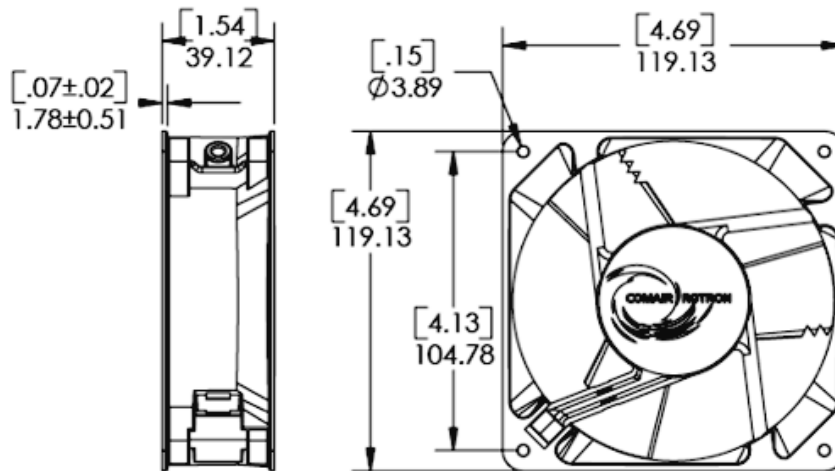


Detailed Drawing



Printer-Friendly Datasheet

Mechanical Drawing



Fan Performance Curve

Fan Configuration Options

Muffin XL (Family)	-	MD12B5 (Model)	-	028885 (Part #)	-	Yes (In Stock)
Fan Speed Options		Fan Bearing Options		Fan Airflow Direction Options		Fan Termination Options
Full Speed (3330 RPM)		Ball Bearings		Flow L (CW Rotation)		Leads
7/8 Speed (2780 RPM)		Sleeve Bearings		Flow R (CCW Rotation)		Terminals

Fan Monitoring Options

No Fan Monitoring Options Required

Add Tachometer (1 pulses per revolution.)

Open Collector Output

TTL (+5V) Output

Existing Models with Tachometer Option:

MD12B5 - 028885

MD12B9 - 028888

Add Fan Performance Sensor (FPS)

Fan Speed Control Options

Add ThermaPro-V Fan Speed Control

Environmental Protection Options

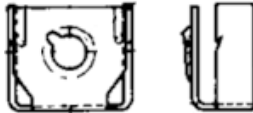
Add Enviroshield Environmental Protection

Accessories (Click on part number for detailed drawing.)

571064
Plug and Cord



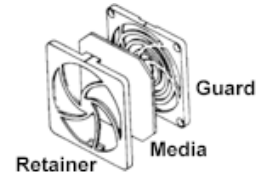
550113
Mounting Clip



551590
Filter Assembly

Mounting Bracket Filter Frame
Filter Element
Fan Venturi Edge

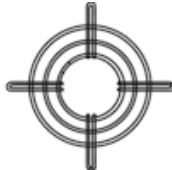
554148
Filter Guard Assembly



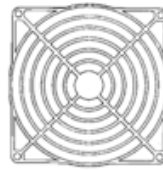
552934
Finger Guard



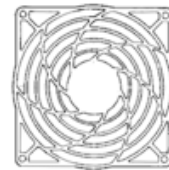
476042
Finger Guard



550481
Finger Guard



551147
Finger Guard



Comair Rotron, Inc.
Phone: 858.348.6200
FAX: 858.566.4577
sales@comairrotron.com

ThermaFlo, Inc.
Phone: 972.312.8609
FAX: 972.312.8617
info@thermaflo.com

Comair Rotron Europe, Ltd.
Phone: +44.1527.520525
FAX: +44.1527.520565
sales@comairrotron.com

Comair Rotron Fan Company Ltd.
Phone: +86.21.52260581
FAX: +86.21.52260597
salesasia@comairrotron.com