



Whisper AC - WR2H1 - 027119
 (Family) (Model) (Part Number)

Electrical Specifications

Rated Voltage: 115 VAC
 AC Frequency: 60 Hz
 Power Supply: 10.0 Watts
 Line Current: 0.11 Amps
 Locked Rotor Current: 0.14 Amps
 Nominal Speed: 2350 RPM

Mechanical Specifications

Dimensions: 4.72in x 1.50in
 Weight: 17.0 oz
 Max Airflow @ 0 in H₂O: 72.0 CFM
 Max Pressure @ 0 CFM: 0.128 in H₂O
 Noise: 37.6 dBA

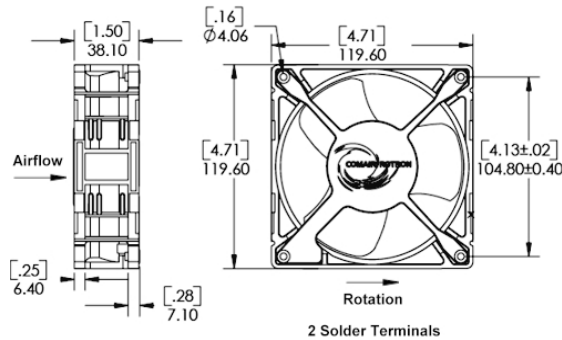


Comair Rotron, Inc. Phone: 858.348.6200 FAX: 858.566.4577 sales@comairrotron.com
 ThermaFlo, Inc. Phone: 972.312.8609 FAX: 972.312.8617 info@thermaflo.com
 Comair Rotron Europe, Ltd. Phone: +44.1527.520525 FAX: +44.1527.520565 saleseurope@comairrotron.com
 Comair Rotron Fan Company Ltd. Phone: +86.21.52260581 FAX: +86.21.52260597 salesasia@comairrotron.com

Print Date: Saturday, August 18, 2007 at 23:37:51 - AC Fan Datasheet - Web Version 1.0 Rev. A



Mechanical Drawing



Options

Part Number	Model Number	Bearing Type	Fan Rotation	Termination	In-Stock <small>(Click 'Yes' for current stock)</small>
027119	WR2H1	Sleeve	Normal	Terminals, Venturi	Yes
027120	WR2H2	Sleeve	Normal	Terminals, No Venturi	No
030082	WR2H4	Sleeve	Reverse	Terminals, No Venturi	No

Accessories (Click on part number for detailed drawing.)

- 428056 Plug and Cord
- 477663 Mounting Clip
- 551590 Filter Assembly
Mounting Bracket, Filter Frame, Filter Element, Fan Venturi Edge
- 554148 Filter Guard Assembly
Guard, Retainer, Media
- 552934 Finger Guard
- 476042 Finger Guard
- 550481 Finger Guard
- 551147 Finger Guard

Comair Rotron, Inc. Phone: 858.348.6200 FAX: 858.566.4577 sales@comairrotron.com
 ThermaFlo, Inc. Phone: 972.312.8609 FAX: 972.312.8617 info@thermaflo.com
 Comair Rotron Europe, Ltd. Phone: +44.1527.520525 FAX: +44.1527.520565 saleseurope@comairrotron.com
 Comair Rotron Fan Company Ltd. Phone: +86.21.52260581 FAX: +86.21.52260597 salesasia@comairrotron.com

Print Date: Saturday, August 18, 2007 at 23:37:51 - AC Fan Datasheet - Web Version 1.0 Rev. A