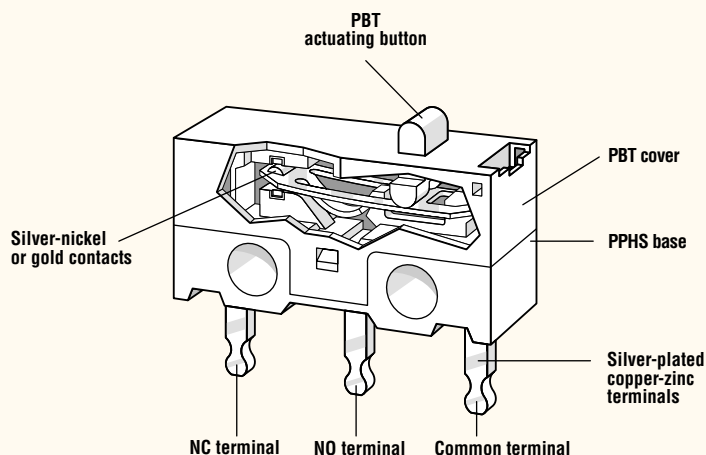


SUBMINIATURE DG Series

Features

- Small dimensions, just 0.504" x 0.228" x 0.256" (12.8mm x 5.8mm x 6.5mm)
- Depending on model, contact rating is suitable for low switched currents and voltages for light-current applications with loads of up to 3 amps 125VAC
- Available with or without auxiliary actuator
- Can be fitted to circuit boards in upright position or horizontally with terminals on left or right
- Mechanical life: min. 1 x 10⁶ operations (depending on model)



Electrical Ratings

Switch Series	EN61058 Rating	UL1054 Rating	Electrical Life at Rated Load According to UL (Min. Operations)
DG1	N/A	3A, 125VAC; 2A, 30VDC	6,000
DG2	N/A	0.05A, 30VDC	6,000
DG4	N/A	1A, 125VAC; 1A, 30VDC	6,000

Specifications

Electrical

Temperature Rating: -25 °C to +85 °C

Flammability Rating: UL9V-O

Materials

Base: PPHS

Cover: PBT

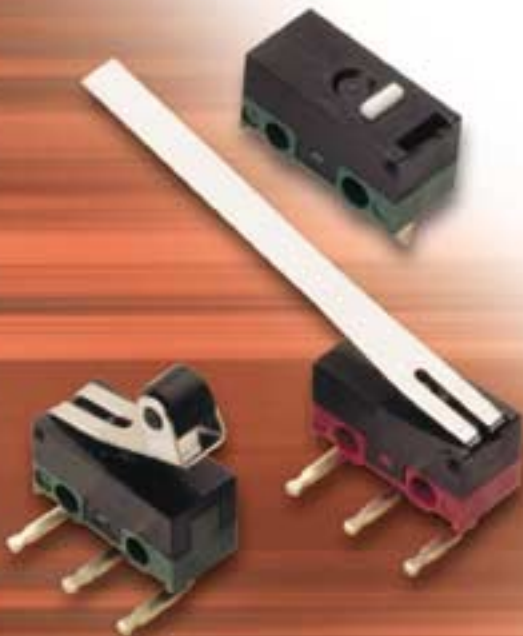
Actuator: PBT

Auxiliary Actuator: Stainless Steel

Terminals: Silver-Plated Brass

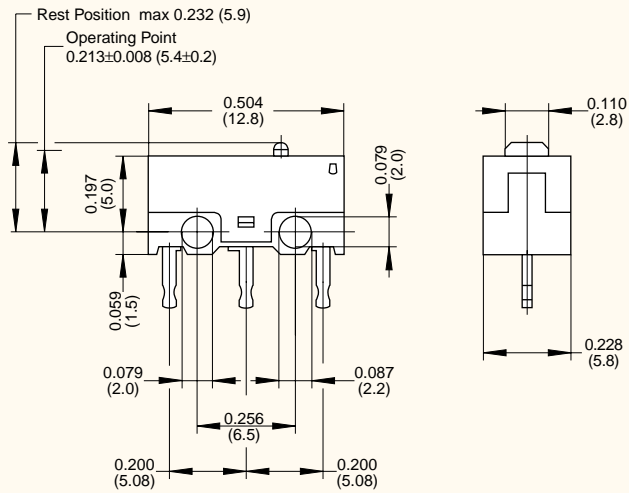
Contacts: Silver Alloy (DG1, DG4)
Gold Flash, Gold (DG2)

PBT = Polybutyleneterephthalate • PPHS = Polyphenylene sulphide

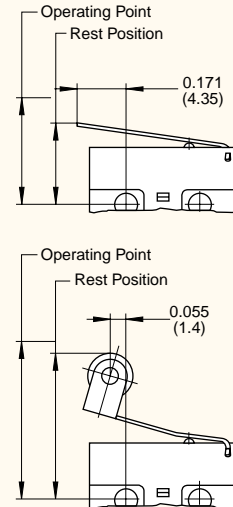




Dimensions inches (mm)

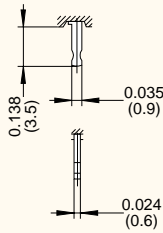


Auxiliary Actuators inches (mm)

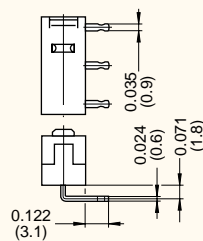


Terminal Options inches (mm)

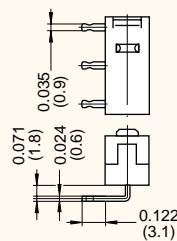
PCB Terminals Straight



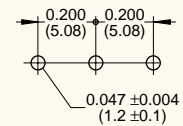
PCB Terminals RH Side



PCB Terminals LH Side



Drilling Pattern



Actuator Specifications

Actuator Type	Switch Type	Maximum Operating Force (gms.)		Maximum Pre-Travel inches (mm)	Operating Point inches (mm)	Maximum Over-Travel inches (mm)	Max. Movement Differential inches (mm)	Max. Rest Position inches (mm)
		DG1, DG2 (B)	DG2, DG4 (C)					
AA		140	75	0.020 (0.51)	0.213±0.008 (5.41±0.20)	0.008 (2.20)	0.007 (0.18)	—
LA		45	30	0.071 (1.80)	0.268+0.031/-0.016 (6.81+0.79/-0.41)	0.022 (0.55)	0.020 (0.51)	0.196 (4.98)
RA		60	35	0.059 (1.50)	0.488±0.020 (12.40±0.51)	0.022 (0.55)	0.020 (0.51)	0.322 (8.18)

Ordering Information

DG | **1** | **3**

Series/Prefix | **Code** | **Contact Configuration**

3 | SPDT

Code	Current Rating (UL & CSA)
1	3A, 125VAC; 2A, 30VDC
2	0.05A, 30VDC
4	1A, 125VAC; 1A, 30VDC

B | **1** | **AA**

Code	Button Color/ Operating Force
B	Grey / 140 grams*
C	Black / 75 grams**

*140 gms not available on DG4
**75 gms not available on DG1

Code	Terminal Type
1	PCB, Straight
2	PCB, RH Side
3	PCB, LH Side

Code	Actuator Type
AA	Button (without Auxiliary Actuator)
LA	Straight Auxiliary Actuator, 0.169" (4.3mm) Long*
LB	Straight Auxiliary Actuator, 0.500" (12.7mm) Long*
LC	Straight Auxiliary Actuator, 1.012" (25.7mm) Long*
RA	Roller Auxiliary Actuator, 0.075" (1.9mm) Long*

Actuator Length

*Actuator lengths are dimensioned from center line of switch mounting hole.