

MICRO SWITCH

A DIVISION OF MINNEAPOLIS-HONEYWELL REGULATOR COMPANY
 FREEPORT, ILLINOIS

FED. MFR. CODE 91929

PACKET

CATALOG LISTING



5PA3

(M) 5PA3
 ISSUE 2

5PA3

M

DRAWING
 NUMBER

3

ISSUE

REPLACES

RELEASE NO.

CHECK

REVISIONS

A C.O.8520
 N.H.L.
 8 MAR. '57

CHECK G.N.T. 8 MAR. '57

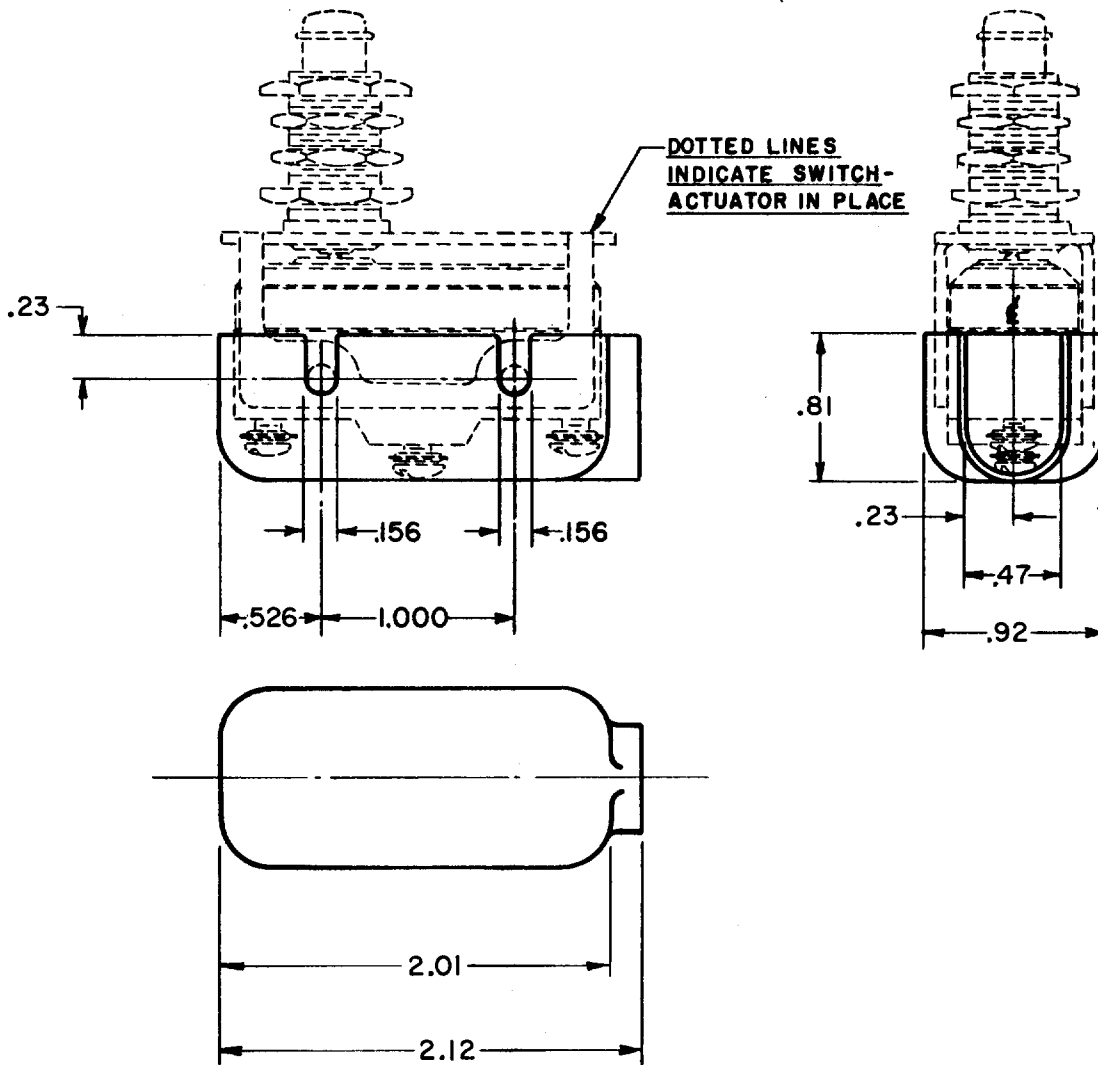
CHECK G.C.H. 8 MAR. '57

CHECK

8 MARCH '57

DRAWN

FO-50378



THIS DRAWING COVERS A PROPRIETARY ITEM AND IS THE PROPERTY OF MICRO SWITCH, A DIVISION OF HONEYWELL. THIS DRAWING IS NOT TO BE COPIED OR USED WITHOUT THE APPROVAL OF MICRO SWITCH.

CHARACTERISTICS

ELECTRICAL DATA

SCALE FULL

CONTACT ARRANGEMENT

BREAK DISTANCE

DO NOT SCALE PRINT

UNLESS OTHERWISE SPECIFIED
 DIMENSIONS ARE IN INCHES
TOLERANCES ARE:

ONE PLACE (.0) ±.030
 TWO PLACE (.00) ±.015
 THREE PLACE (.000) ±.005
 ANGLES ±

WEIGHT