



BZ-2RW8244-A2



Actual product appearance may vary.

BZ Series Standard Basic Switch, Single Pole Double Throw Circuitry, 5 A at 125 Vac, Straight Lever Actuator, 0,7 N [2.5 oz] Maximum Operating Force, Silver Contacts, Screw Termination, CE, CSA, DEMKO, UL

Features

- Accepted world-wide standard "Large Basic" switch
- Low operating force and differential travel
- Long mechanical life up to 20,000,000 cycles at 95% survival
- Elongated mounting hole for easier, more accurate mounting
- Current rating ranges from 15 A to 25 A
- Choice of actuation, termination and operating characteristics

Potential Applications

- Irrigation systems
- Semi-trailer trucks
- Timing devices
- Office equipment
- Test instruments
- Medical/dental equipment
- HVAC equipment
- Manually operated devices
- Valves

Description

MICRO SWITCH™ BZ/BA Series standard basic switches are used for simple or precision on/off application needs.

Product Specifications	
Switch Type	MICRO SWITCH™ Standard 25,4 mm H x 17,8 mm W x 50,8 mm L [1.0 in H x 0.7 in W x 2.0 in L]
Sealed	No
Ampere Rating	5 A
Circuitry	Single Pole Double Throw (SPDT)
Actuator	Straight Lever
Termination	Screw
Operating Temperature Range	-54 °C to 204 °C [-65 °F to 400 °F]
Voltage	125 Vac
Approvals	CE, CSA, UL
Actuator Length	63,50 mm [2.50 in]

Contact Type	Silver
Operating Force (O.F.)	0,7 N [2.5 oz] max.
Release Force (R.F.)	0,14 N [0.5 oz] min.
Overtravel (O.T.)	5,56 mm [0.219 in] min.
Differential Travel (D.T.)	0,18 mm [0.709 in] - 1,27 mm [0.007 in - 0.050 in]
Operating Position (O.P.)	19,1 mm \pm 0,76 mm [0.75 in \pm 0.03 in]
Free Position (F.P.)	28,14 mm [1.108 in] max.
Material	Plastic
Housing Material	General Purpose Phenolic
High Temperature	204 °C [400 °F]
CE mark	61058-1
UL File #	E12252
CSA File #	LR41370
Agency Approvals and Standards	1054
Mounting Screw Size	3,53 mm [0.139 in]
Mounting Centers	25,4 mm [1 in]
Maximum Tightening Torque	0,33 N m [3.0 in lb]
Weight	34,5 g [0.076 lb]
Package Height	24,1 mm [0.95 in]
Package Width	17,5 mm [0.69 in]
Package Length	49,3 mm [1.94 in]
Recommended For	Operating in temperatures to 204 ° C [400 °F] for 100 hours
Availability	Global
UNSPSC Code	30211905
UNSPSC Commodity	30211905 Snap switches
Series Name	BZ/BA/WA/YZ



MICRO SWITCH

FREERPORT ILLINOIS
A DIVISION OF HONEYWELL

FED. MFG. CODE 91929

SWITCH - BASIC

CATALOG LISTING

BZ-2RW8244-A2

DRAWING NUMBER
BZ-2RW8244-A2
PAGE 1 OF 1

REPLACES

RELEASE NO.

CHECK

ISSUE
M
7

REVISIONS

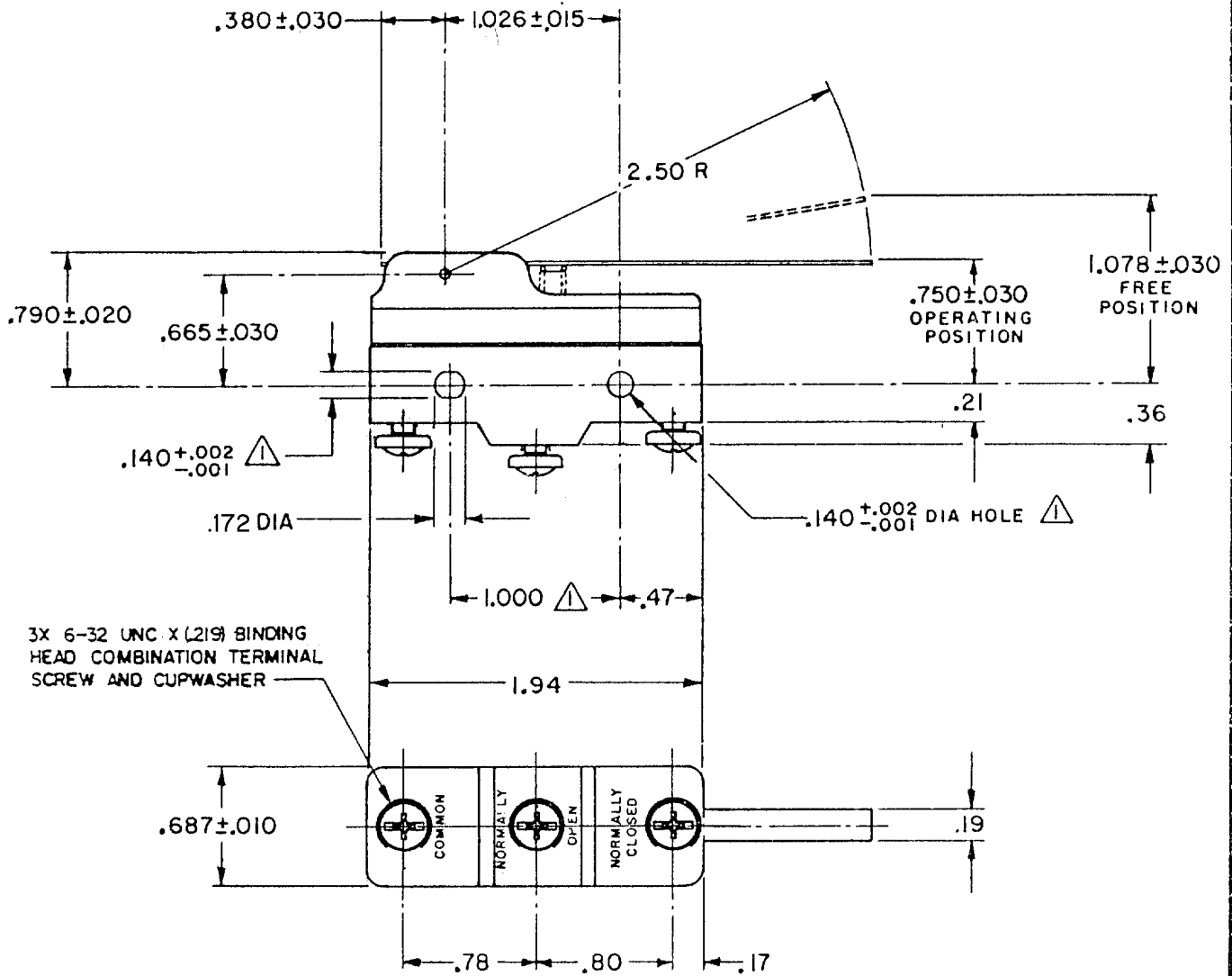
A	C017262
G G H 20 NOV 62	
B	C021530
W E G 22 AUG 66	
C	CO- 73287-D
K D R 8 JULY 93	
D	C093346
D L T 28 AUG 98	
E	CO- 95953
J J A 18 JAN 00	

CHECK

G C H 20 NOV 62

DRAWN

FORMTEK
FO-90378



NOTES

- △ - MOUNTING HOLES WILL ACCEPT PINS OR SCREWS OF .139 MAX DIA ON 1.000±.002 CENTERS
- 2 - SWITCH WILL WITHSTAND TEMPERATURE OF 400° F. FOR 100 HOURS

THIS DRAWING COVERS A PROPRIETARY ITEM AND IS THE PROPERTY OF MICRO SWITCH, A DIVISION OF MINNEAPOLIS-HONEYWELL REGULATOR CO. THIS DRAWING IS NOT TO BE COPIED OR USED WITHOUT THE APPROVAL OF MICRO SWITCH.

CHARACTERISTICS	ELECTRICAL DATA	SCALE FULL
OPERATING FORCE ----- 2 1/2 OZ MAX	CONTACT ARRANGEMENT S P D T	DO NOT SCALE PRINT
RELEASE FORCE ----- 1/2 OZ MIN	UNDERWRITERS' LAB. INC. LISTED RATING 5 A-125, 250 OR 480 VAC -L35- 1/2 A-125 VDC; 1/4 A-250 VDC -L288-	UNLESS OTHERWISE SPECIFIED DIMENSIONS ARE IN INCHES
DIFFERENTIAL TRAVEL ----- .007 - .050		TOLERANCES ARE:
OVERTRAVEL ----- .219 MIN	ONE PLACE (.0) ±.030	TWO PLACE (.00) ±.015
	THREE PLACE (.000) ±.005	ANGLES ±
	WEIGHT .073 LB	