



GLCA01C



Actual product appearance may vary.

Global Limit Switches Series GLS: Top Roller Plunger, 1NC 1NO SPDT Snap Action, 0.5 in - 14NPT conduit

Features

- Designed to IEC standard for world-wide applications
- UL, CSA, and CE
- International conduit sizes
- Direct PLC interface compatible (two circuit)
- Modular construction reduces maintenance parts costs
- Designed for ease of installation
- Variety of basic switch versions
- Wide choice of actuators

Potential Applications

- Machine tools: metal fabrication equipment, presses, transfer lines and special machinery
- Material handling equipment: conveyors, elevators, cranes, and hoists
- Packaging machinery and process equipment
- Textile machinery
- Construction machinery and equipment, vehicles and lift trucks

Description

The GLS series limit switches are specifically designed for world-wide applications and are supported by Honeywell global resources for sale and after sale service.

Product Specifications	
Availability	Global
Operating Force (O.F.)	16,0 N [3.60 lb]
Pretravel (P.T.)	3,0 mm [0.12 in]
Overtravel (O.T.)	3,0 mm [0.12 in]
Differential Travel (D.T.)	0,9 mm [0.035 in]
Product Type	EN50041/47 Global Limit Switch
Actuator	Top Roller Plunger
Lever Style	None
Circuitry	1NC 1NO SPDT Snap Action
Ampere Rating	10 A (Thermal)
Supply Voltage	300 Vac and 250 Vdc max.

Housing Material	Zinc Die-Cast
Termination Type	0.5 in - 14NPT conduit
Housing Type	EN 50047
Series Name	GLS MIN-DIN
Shock	50 g per IEC 68-2-27c (w/o Actuator)
Vibration	10 g per IEC 68-2-6 (w/o Actuator)
Sealing	NEMA 1, 4, 12, 13 IP66
Approvals	UL, CSA, CE
CSA File #	LR94369-3
UL File #	E37138 & E157416
Mechanical Life	15 million
Operating Temperature Range	-40 °C to 85 °C [-40 °F to 185 °F]
Agency Approvals and Standards	IEC 947-5-1, EN60947-5-1, UL508
UNSPSC Code	302119
UNSPSC Commodity	302119 Switches and controls and relays
Sealed	Industrial
Operating Position (O.P.)	28.0 mm [1.0 in]

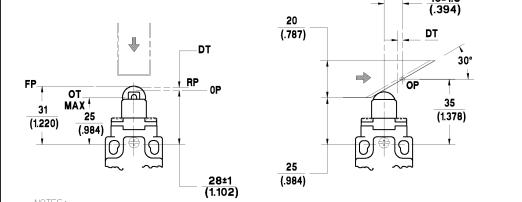
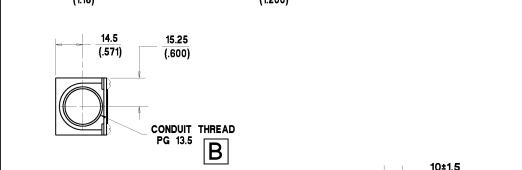
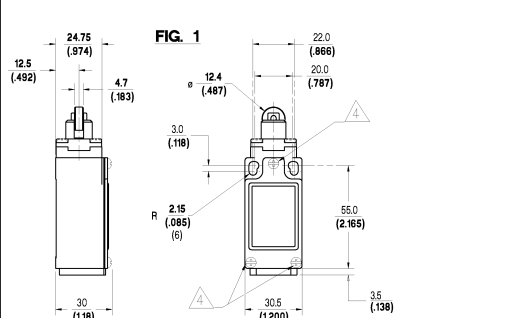
MTG-GL-169

REVISIONS

01	3/3/96
02	10/18/97
03	7/12/96
04	10/18/93
05	11/2/97
06	02/01/93
07	5/18/97
08	02/01/96
09	11/02/93
10	11/2/97

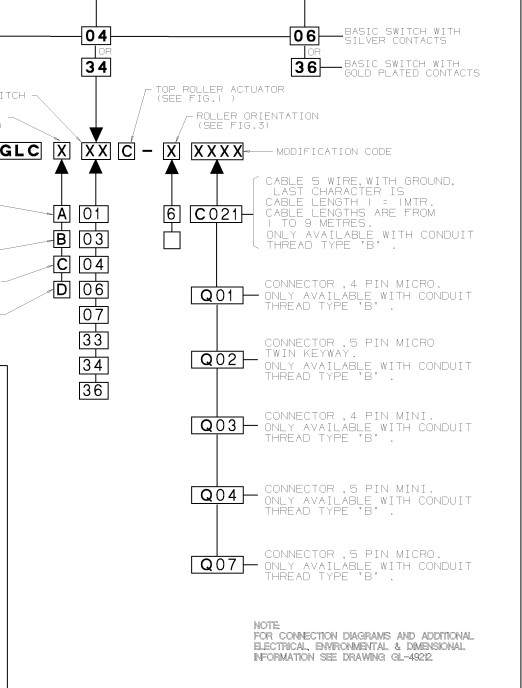
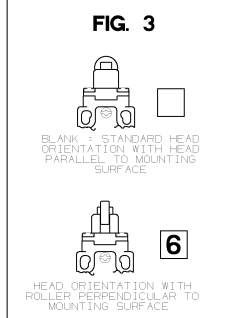
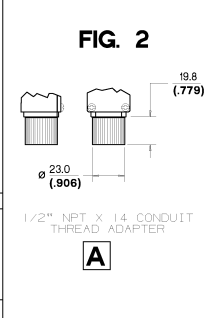
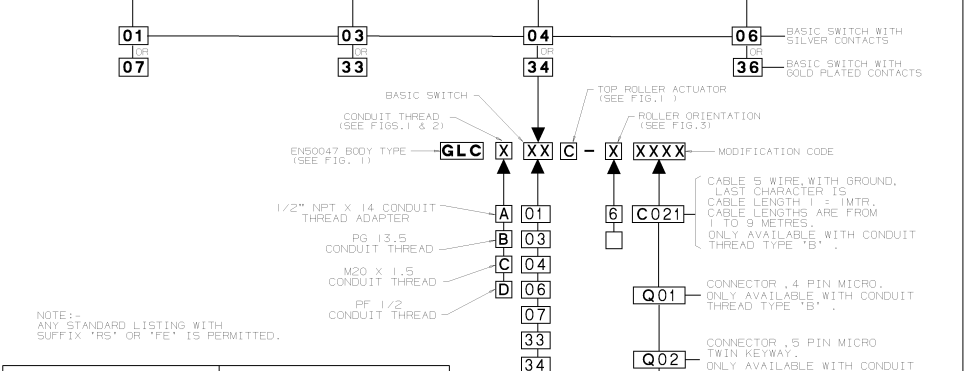
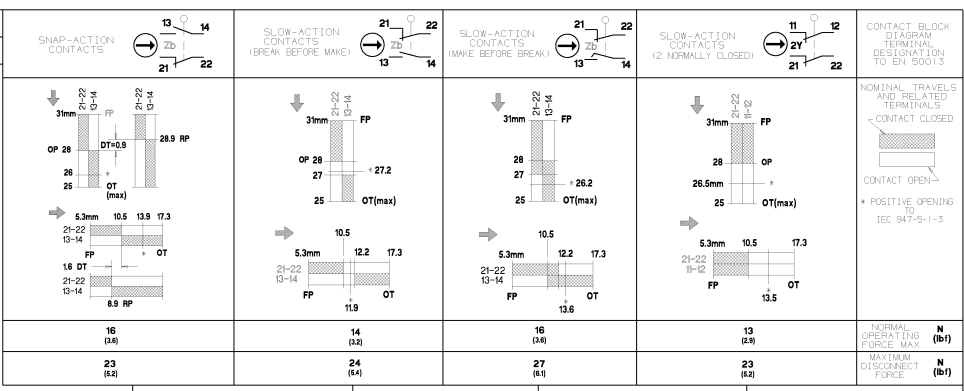
DRAWN: M. L. LOCH
 CHECKED: J. MEYER
 DESIGN: J. BOYD
 APPROVED: J. BOYD

Homagwell	LIMIT SWITCH	CATALOGUE LISTING
		GLS
		CHART NO.
		MTG-GL-169



NOTES:-
 1. ZINC DIECAST BODY AND HEAD WITH STEEL COVER. BODY AND COVER FINISHED IN MICRO SWITCH BLUE EPOXY PAINT. HEAD FINISHED IN BLACK EPOXY PAINT.
 2. MINIMUM OPERATING VELOCITY (V_{min}) : 1.0 MM/S (THESE LIMITS APPLY TO CAM OPERATION AS SHOWN IN THE MAXIMUM OPERATING VELOCITY (V_{max}) : 100 MM/S MAXIMUM OPERATING FREQUENCY (F_{max}) : 250 OPS/MIN ABOVE DIAGRAMS ONLY)
 3. FREE POSITION (FP), OPERATING POINT (OP), OVERTRAVEL (OT) AND RETRAVEL (RP) ALL TO EN50047.
 4. MAXIMUM TIGHTENING TORQUE FOR FIXING SCREW = 0.5NM (4.41in.LB)
 NO CHANGES CAN BE MADE TO THIS DRAWING WITHOUT JOINT NEWHOUSE/FREEMONT APPROVAL

STANDARD SILVER CONTACTS	GOLD PLATED CONTACTS	ENVIRONMENTAL	APPROVALS
AC	DC	IP66 NEMA 1, 4, 12, 13	UL EN50047
A300 AC 15 14	O300 DC 15 14	TEMP RANGE : -25°C TO 85°C STORAGE : -40°C TO 85°C SHOCK : 50G PER IEC 68-2-27 VIBRATION : 10G PER IEC 68-2-6	
120 VOLTS AMPS 240 5	125 VOLTS AMPS 250 0.5A		
1V 100mA MIN. ISOV 100mA MAX.			



NOTE FOR CONNECTION DIAGRAMS AND ADDITIONAL ELECTRICAL, ENVIRONMENTAL & DIMENSIONAL INFORMATION SEE DRAWING GL-4322.