



W2K121 Series

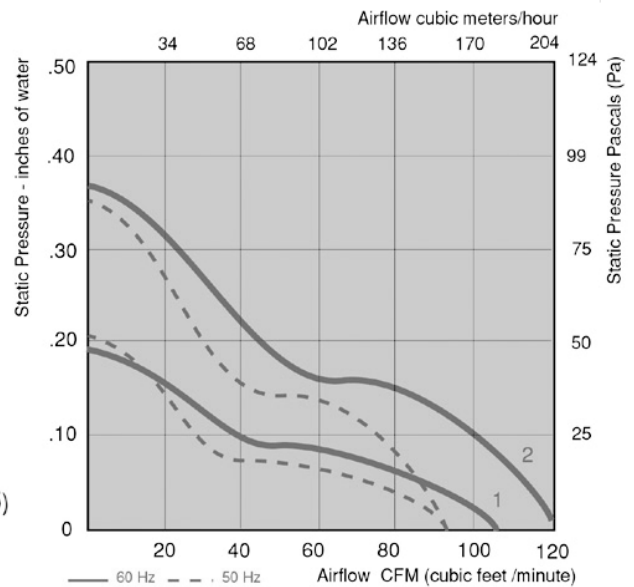
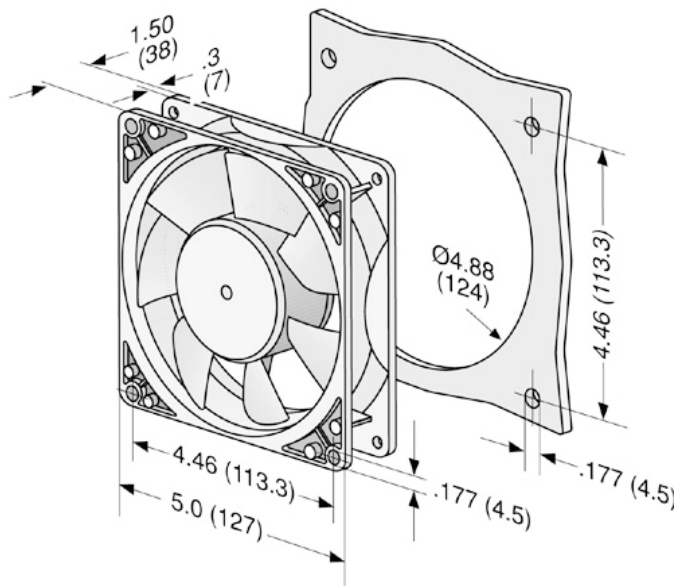
Tubeaxial

127x127x38mm

- AC fans with external rotor shaded-pole motor. Impedance protected against overloading.
- Metal fan housing, impeller of plastic PA.
- Air exhaust over struts. Rotational direction CCW looking at rotor.
- Mounting from either face using two 4.5 mm holes.
- Electrical connection via 2 flat pins 2.8 x 0.5 mm.
- Fan housing with ground lug for screw M 4x6 DIN 7500-C.
- UL, CSA, VDE approvals on some models, please contact application engineering.

Part Number	CFM @ 0	Curve	Volts	Hertz	Power (W)	dBa	Max Ambient Temp C	Wgt. (lbs)	Type Of Bearing	Features
W2K121-AB11-13	106	1	115	50/60	14	41	65	1.25	Ball	Terminals
W2K121-AB11-39	106	1	115	50/60	14	41	55	1.25	Sintec	Terminals
W2K121-AA15-01	121	2	115	50/60	17	47	75	1.25	Ball	Leads
W2K121-AA15-03	121	2	115	50/60	17	47	75	1.25	Sintec	Leads
W2K121-AA15-13	121	2	115	50/60	17	47	75	1.25	Ball	Terminals
W2K121-AA15-39	121	2	115	50/60	17	47	75	1.25	Sintec	Terminals
<hr/>										
W2K121-AB07-13	106	1	230	50/60	14	41	65	1.25	Ball	Terminals
W2K121-AB07-39	106	1	230	50/60	14	41	55	1.25	Sintec	Terminals
W2K121-AA01-01	121	2	230	50/60	17	47	75	1.25	Ball	Leads
W2K121-AA01-03	121	2	230	50/60	17	47	75	1.25	Sintec	Leads
W2K121-AA01-13	121	2	230	50/60	17	47	75	1.25	Ball	Terminals
W2K121-AA01-39	121	2	230	50/60	17	47	75	1.25	Sintec	Terminals

Fan Type				Lead Wires	
AA01-01	AA01-03	AA15-01	AA15-03	269 mm long	AWG 22



e-mail: sales@ebm.com • TEL: 860-674-1515 • FAX: 860-674-8536
 ebm Industries, Inc., 100 Hyde Road, Farmington, CT 06034 USA

ebm Industries, Inc., 2003 © ebm Industries, Inc. reserves the right to change any specifications or data without notice