

R3G280AF Series Motorized Impeller

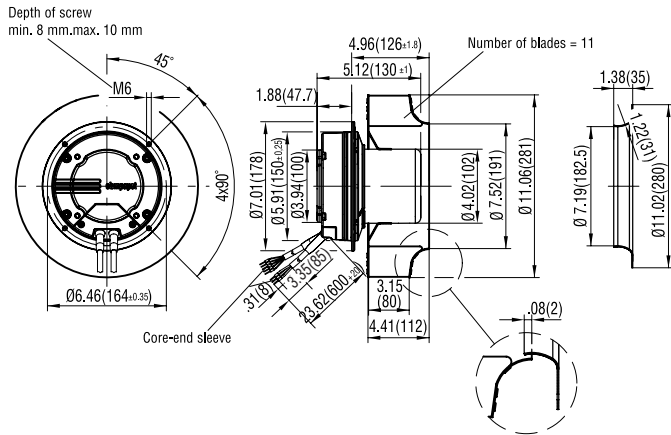
Ø 280mm Backward Curved, EC-i



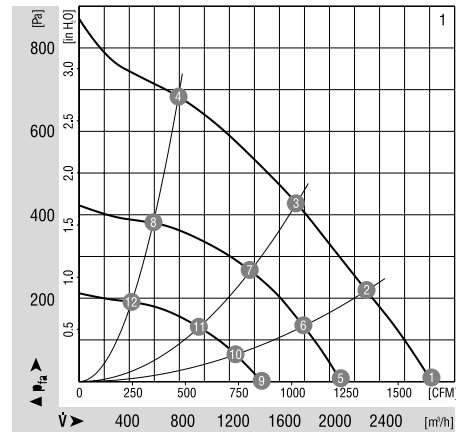
- Backward curved centrifugal fan features integrated electronics, extremely low noise and minimal heat generation.
- Variable mounting position.
- Impeller completely made of sheet steel.
- Maintenance-free ball bearings.
- IP 44 protection type.
- Cable exit: variable.
- Technical features: integrated electronics, PWM/Linear input, alarm relay.
- UL and CSA in preparation.
- Recommended inlet ring: 96360-2-4013.

Part Number	Curve	CFM @ 0	VAC	Hertz	Power (W)	dBA	Max. Amb. Temp. C	Speed (RPM)	Weight (lbs.)
R3G280-AF35-71	1	1656.9	200-277	50/60	425	80	60	2960	11.03

	n [RPM]	P ₁ [W]	I [A]	η _{IL} [%]	Lp _A [dBA]	n [RPM]	P ₁ [W]	I [A]	η _{IL} [%]	Lp _A [dBA]
1	① 2760	355	2.20	—	80	⑨ 1460	65	0.40	—	67
1	② 2670	400	2.50	48	77	⑩ 1460	80	0.50	48	64
1	③ 2660	425	2.60	60	73	⑪ 1460	88	0.60	60	58
1	④ 2740	386	2.30	45	75	⑫ 1460	70	0.50	45	57
1	⑤ 2050	150	1.00	—	74					
1	⑥ 2050	206	1.10	48	71					
1	⑦ 2050	232	1.40	60	67					
1	⑧ 2050	196	1.20	45	67					



Curve



ebmpapst

e-mail: sales@us.ebmpapst.com · TEL: 860-674-1515 · FAX: 860-674-8536

ebm-papst Inc., 100 Hyde Road, Farmington, CT 06034 USA

ebm-papst Inc., 2006 © ebm-papst Inc. reserves the right to change any specifications or data without notice