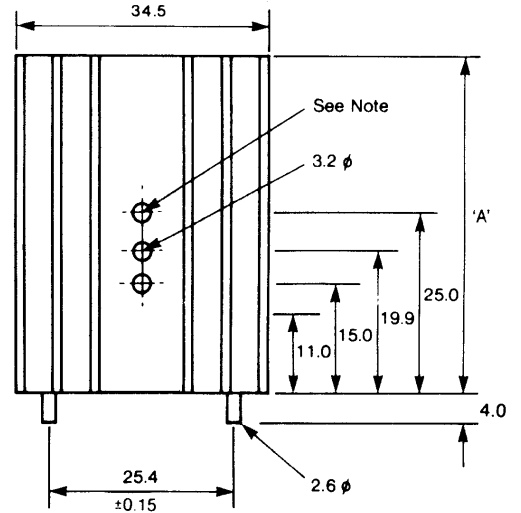
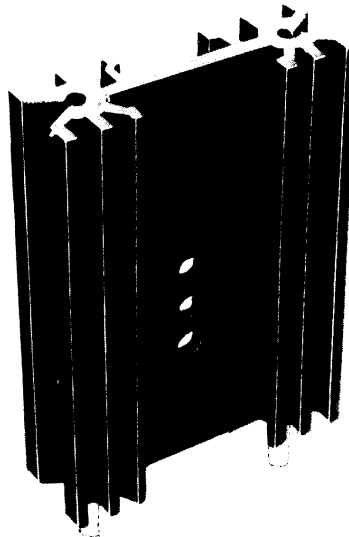
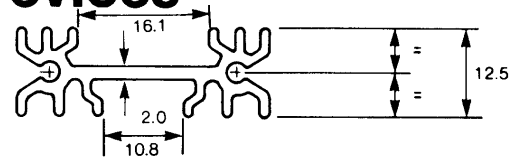


SW Series for Plastic Power Devices

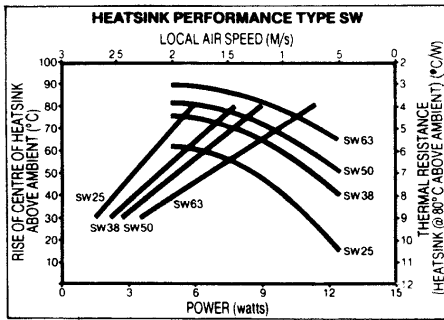
Powerful, versatile and solderable heatsink.
 Economical of P.C.B. space. Ideal for switching power supplies. Vertically mounted by pins with device fixing holes to suit TO220, TO218, TO3P, TO202 etc.
 Also available clamping spring.

All patterns available with solderable pins for mounting etc.

Finish: Black anodised with solderable pins.

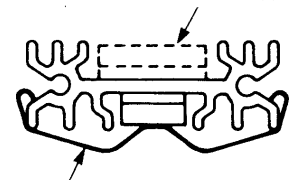


Note: This hole not present in SW25 models



Length A	RS STOCK NUMBERS	With Pins Part No.	Holes	Cut-out	Thermal Rating $\Theta = ^\circ\text{C/W}$
25	403-162	SW25-4	Yes	No	13
38	403-178	SW38-4	Yes	No	10
50	403-184	SW50-4	Yes	No	8.6
63	403-190	SW63-4	Yes	No	6.8

TO218 etc. this side.
 TO220 etc. opposite side.



Retaining clip 5901 RS:403-207