

max. 184 m³/h

DC Axial Fans

Series 4200 119 x 119 x 38 mm



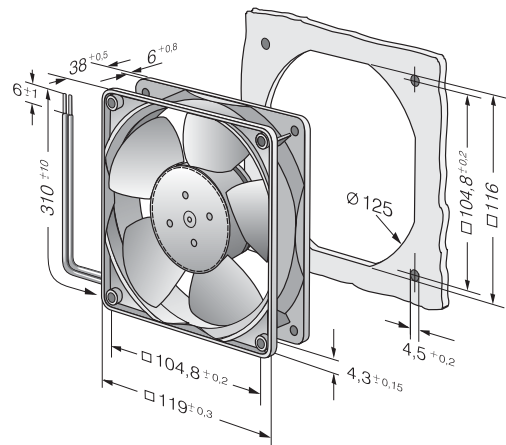
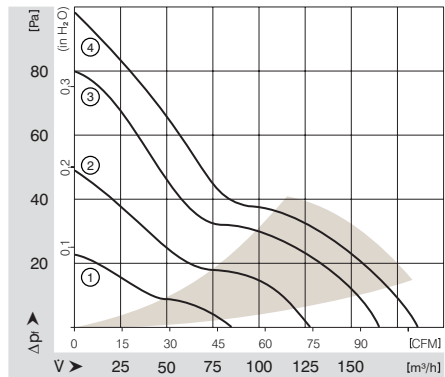
Highlights:

- Ball bearings and sleeve bearings available.
- Optional Vario-Pro: Highly adaptable software configuration of the fan enables a tailor-made solution to the specific requirements of your applications.

General characteristics:

- Material: fiberglass-reinforced plastic. Impeller PA, housing PBT.
- Fully integrated electronic commutation.
- Protected against reverse polarity and blocking.
- Electrical connection via single leads AWG 22, TR 64. Stripped and tinned ends.
- Blowing over struts. Rotational direction CCW looking at rotor.
- Mass: 290 g.

Nominal Data	Air Flow		Nominal Voltage	Voltage Range	Noise	Sound Power	Sinter-Sleeve Bearings		Power Input	Nominal Speed	Temperature Range	Service Life L ₁₀ (40 °C)		Life expectancy L _{10Δ} (40 °C)	Curve	Specials
	m ³ /h	CFM					V DC	V DC				dB(A)	Bel			
4212 L	86	50.6	12	7...14.5	29	4.2	■	1.2	1 600	-20...+75	80 000 / 35 000	112 500	1			
4212 M	127	74.7	12	7...14.5	38	4.9	■	2.2	2 350	-20...+75	70 000 / 30 000	112 500	2			
4212	165	97.1	12	7...14.5	45	5.6	■	4.3	3 050	-20...+75	62 500 / 27 500	122 500	3	/2;/12		
4212 H	184	108.3	12	7...14.5	49	5.9	■	5.3	3 400	-20...+65	60 000 / 32 500	115 000	4	/2;/12		
4214 L	86	50.6	24	12...28	29	4.2	■	1.2	1 600	-20...+75	80 000 / 35 000	112 500	1			
4214 G	165	97.1	24	12...28	45	5.6	□	4.3	3 050	-20...+75	62 500 / 27 500	90 000	3			
4214	165	97.1	24	12...28	45	5.6	■	4.3	3 050	-20...+75	62 500 / 27 500	122 500	3	/2;/12;/17		
4214 H	184	108.3	24	12...28	49	5.9	■	5.3	3 400	-20...+65	60 000 / 32 500	115 000	4	/2;/12;/39		
4218	165	97.1	48	36...56	45	5.6	■	4.3	3 050	-20...+75	62 500 / 27 500	112 500	3	/2;/12		
4218 H	184	108.3	48	36...56	49	5.9	■	5.6	3 400	-20...+65	60 000 / 32 500	115 000	4	/12;/39		



ebmpapst

