



GLCA01B



Global Limit Switches Series GLS: Top Plunger, 1NC 1NO SPDT Snap Action, 0.5 in - 14NPT conduit

Actual product appearance may vary.

Features

- Designed to IEC standard for world-wide applications
- UL, CSA, and CE
- International conduit sizes
- Direct PLC interface compatible (two circuit)
- Modular construction reduces maintenance parts costs
- Designed for ease of installation
- Variety of basic switch versions
- Wide choice of actuators

Potential Applications

- Machine tools: metal fabrication equipment, presses, transfer lines and special machinery
- Material handling equipment: conveyors, elevators, cranes, and hoists
- Packaging machinery and process equipment
- Textile machinery
- Construction machinery and equipment, vehicles and lift trucks

Description

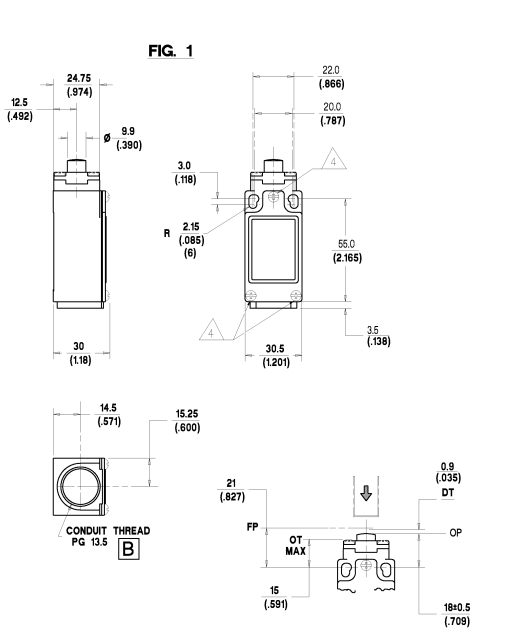
The GLS series limit switches are specifically designed for world-wide applications and are supported by Honeywell global resources for sale and after sale service.

Product Specifications	
Availability	Global
Operating Force (O.F.)	16,0 N [3.60 lb]
Pretravel (P.T.)	3,0 mm [0.12 in]
Overtravel (O.T.)	3,0 mm [0.12 in]
Differential Travel (D.T.)	0,9 mm [0.035 in]
Product Type	EN50041/47 Global Limit Switch
Actuator	Top Plunger
Lever Style	None
Circuitry	1NC 1NO SPDT Snap Action
Ampere Rating	10 A (Thermal)
Supply Voltage	300 Vac and 250 Vdc max.

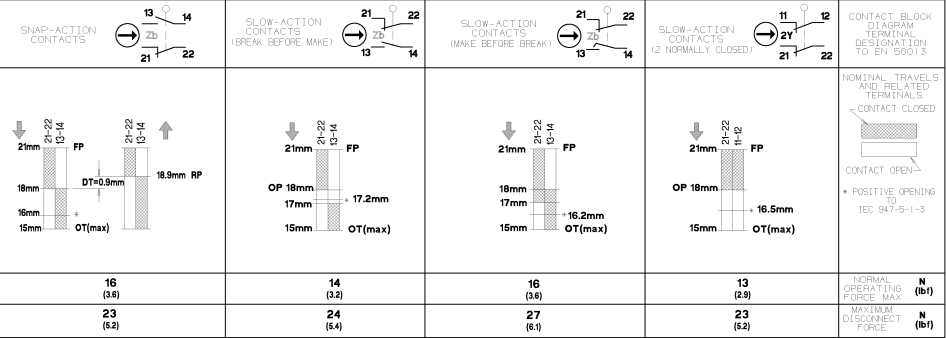
Housing Material	Zinc Die-Cast
Termination Type	0.5 in - 14NPT conduit
Housing Type	EN 50047
Series Name	GLS MIN-DIN
Shock	50 g per IEC 68-2-27c (w/o Actuator)
Vibration	10 g per IEC 68-2-6 (w/o Actuator)
Sealing	NEMA 1, 4, 12, 13 IP66
Approvals	UL, CSA, CE
CSA File #	LR94369-3
UL File #	E37138 & E157416
Mechanical Life	15 million
Operating Temperature Range	-40 °C to 85 °C [-40 °F to 185 °F]
Agency Approvals and Standards	IEC 947-5-1, EN60947-5-1, UL508
UNSPSC Code	302119
UNSPSC Commodity	302119 Switches and controls and relays
Sealed	Industrial
Operating Position (O.P.)	18,0 mm [0.71 in]

MTG-GL-168
 REVISIONS
 RELEASE NUMBER: 401B-38

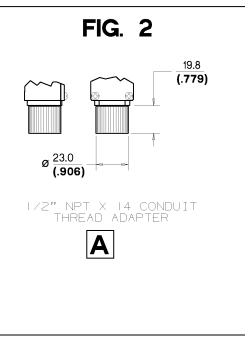
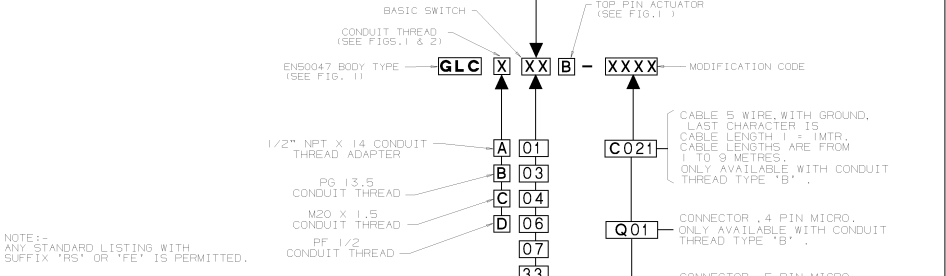
Homagwell
LIMIT SWITCH
 CATALOGUE LISTING: **GLS**
 CHART NO.: **MTG-GL-168**



NOTES:-
 1. ZINC DIECAST BODY AND HEAD WITH STEEL COVER. BODY AND COVER FINISHED IN MICRO SWITCH BLUE EPOXY PAINT. HEAD FINISHED IN BLACK EPOXY PAINT.
 2. MINIMUM OPERATING VELOCITY (V_{min}) : 1.0 MM/S (THESE LIMITS APPLY TO CAM OPERATION AS SHOWN IN THE ABOVE DIAGRAMS ONLY)
 MAXIMUM OPERATING VELOCITY (V_{max}) : 100 MM/S
 MAXIMUM OPERATING FREQUENCY (f_{max}) : 250 OPS/MIN
 3. FREE POSITION (FP), OPERATING POINT (OP), OVERTRAVEL (OT) AND PRETRAVEL (PT) ALL TO EN50047.
 Δ MAXIMUM TIGHTENING TORQUE FOR FIXING SCREW : 0.5N_m (4.41n.LB)
 NO CHANGES CAN BE MADE TO THIS DRAWING WITHOUT JOINT NEWHOUSE/FREEMPORT APPROVAL



16 (38)	14 (32)	16 (38)	13 (28)	NORMAL TRAVELS AND RELATED TERMINALS CONTACT CLOSED
23 (52)	24 (54)	27 (61)	23 (52)	NORMAL OPERATING FORCE MAX (B1)
				* POSITIVE OPENING TO IEC 947-5-1-3
				NORMAL DISCONNECT FORCE (B1)



STANDARD SILVER CONTACTS	SOLD PLATED CONTACTS	ELECTRICAL RATINGS	ENVIRONMENTAL	APPROVALS
AC	DC	I _{th} 10A	IP66 NEMA 1, 4, 12, 13	 IEC 947-5-1 EN50047
A300 AC 15	0300 DC 15		TEMP RANGE : -25°C TO 85°C	
120 6	125 0.5E	1V 10uA MIN.	STORAGE : -40°C TO 85°C	
240 5	250 0.12V	ISOV 100mA MAX.	SHOCK : 50G PER IEC 68-2-27 VIBRATION : 10G PER IEC 68-2-6	

REVISIONS
 RELEASE NUMBER: 401B-38

THE SIGNATURE OF THE DRAWING IS THE PROPERTY OF THE COMPANY AND IS NOT TO BE REPRODUCED OR TRANSMITTED IN ANY FORM OR BY ANY MEANS, ELECTRONIC OR MECHANICAL, INCLUDING PHOTOCOPYING, RECORDING, OR BY ANY INFORMATION STORAGE AND RETRIEVAL SYSTEM.
 SCALE: 1:1
 DIMENSIONS ARE IN MM/INCHES.