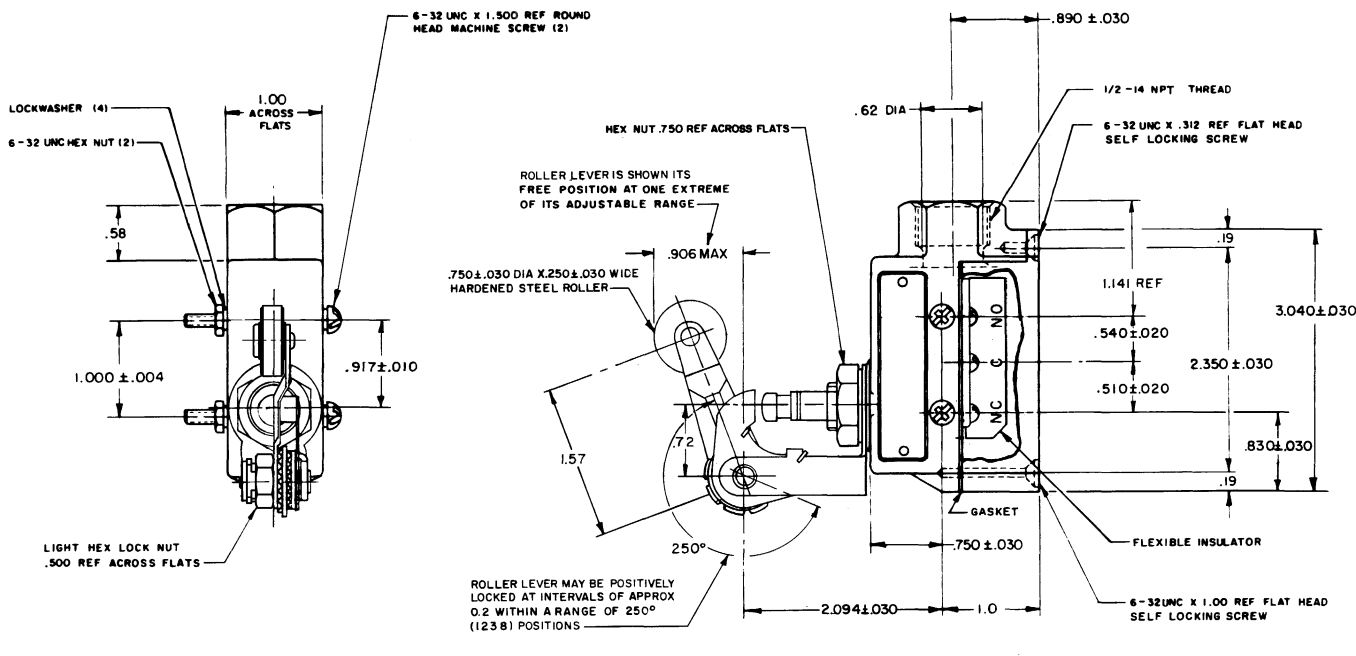


MICRO SWITCH
 FED. MFR. CODE 91929

SWITCH-ENCLOSED

CATALOG LISTING
DTE6-2RQ2

M DTE6-2RQ2
 DRAWING NUMBER
 RELEASE NO. SR 12895
 CHECK BP 14 FEB 65
 REVISIONS
 A SR 12895
 B M B
 C 19 JAN 68
 D 19 JAN 68
 E 19 JAN 68
 F 19 JAN 68
 G 19 JAN 68
 H 19 JAN 68
 I 19 JAN 68
 J 19 JAN 68
 K 19 JAN 68
 L 19 JAN 68
 M 19 JAN 68
 N 19 JAN 68
 O 19 JAN 68
 P 19 JAN 68
 Q 19 JAN 68
 R 19 JAN 68
 S 19 JAN 68
 T 19 JAN 68
 U 19 JAN 68
 V 19 JAN 68
 W 19 JAN 68
 X 19 JAN 68
 Y 19 JAN 68
 Z 19 JAN 68
 AA 19 JAN 68
 AB 19 JAN 68
 AC 19 JAN 68
 AD 19 JAN 68
 AE 19 JAN 68
 AF 19 JAN 68
 AG 19 JAN 68
 AH 19 JAN 68
 AI 19 JAN 68
 AJ 19 JAN 68
 AK 19 JAN 68
 AL 19 JAN 68
 AM 19 JAN 68
 AN 19 JAN 68
 AO 19 JAN 68
 AP 19 JAN 68
 AQ 19 JAN 68
 AR 19 JAN 68
 AS 19 JAN 68
 AT 19 JAN 68
 AU 19 JAN 68
 AV 19 JAN 68
 AW 19 JAN 68
 AX 19 JAN 68
 AY 19 JAN 68
 AZ 19 JAN 68
 BA 19 JAN 68
 BB 19 JAN 68
 BC 19 JAN 68
 BD 19 JAN 68
 BE 19 JAN 68
 BF 19 JAN 68
 BG 19 JAN 68
 BH 19 JAN 68
 BI 19 JAN 68
 BJ 19 JAN 68
 BK 19 JAN 68
 BL 19 JAN 68
 BM 19 JAN 68
 BN 19 JAN 68
 BO 19 JAN 68
 BP 19 JAN 68
 BQ 19 JAN 68
 BR 19 JAN 68
 BS 19 JAN 68
 BT 19 JAN 68
 BU 19 JAN 68
 BV 19 JAN 68
 BW 19 JAN 68
 BX 19 JAN 68
 BY 19 JAN 68
 BZ 19 JAN 68
 CA 19 JAN 68
 CB 19 JAN 68
 CC 19 JAN 68
 CD 19 JAN 68
 CE 19 JAN 68
 CF 19 JAN 68
 CG 19 JAN 68
 CH 19 JAN 68
 CI 19 JAN 68
 CJ 19 JAN 68
 CK 19 JAN 68
 CL 19 JAN 68
 CM 19 JAN 68
 CN 19 JAN 68
 CO 19 JAN 68
 CP 19 JAN 68
 CQ 19 JAN 68
 CR 19 JAN 68
 CS 19 JAN 68
 CT 19 JAN 68
 CU 19 JAN 68
 CV 19 JAN 68
 CW 19 JAN 68
 CX 19 JAN 68
 CY 19 JAN 68
 CZ 19 JAN 68
 DA 19 JAN 68
 DB 19 JAN 68
 DC 19 JAN 68
 DD 19 JAN 68
 DE 19 JAN 68
 DF 19 JAN 68
 DG 19 JAN 68
 DH 19 JAN 68
 DI 19 JAN 68
 DJ 19 JAN 68
 DK 19 JAN 68
 DL 19 JAN 68
 DM 19 JAN 68
 DN 19 JAN 68
 DO 19 JAN 68
 DP 19 JAN 68
 DQ 19 JAN 68
 DR 19 JAN 68
 DS 19 JAN 68
 DT 19 JAN 68
 DU 19 JAN 68
 DV 19 JAN 68
 DW 19 JAN 68
 DX 19 JAN 68
 DY 19 JAN 68
 DZ 19 JAN 68
 EA 19 JAN 68
 EB 19 JAN 68
 EC 19 JAN 68
 ED 19 JAN 68
 EE 19 JAN 68
 EF 19 JAN 68
 EG 19 JAN 68
 EH 19 JAN 68
 EI 19 JAN 68
 EJ 19 JAN 68
 EK 19 JAN 68
 EL 19 JAN 68
 EM 19 JAN 68
 EN 19 JAN 68
 EO 19 JAN 68
 EP 19 JAN 68
 EQ 19 JAN 68
 ER 19 JAN 68
 ES 19 JAN 68
 ET 19 JAN 68
 EU 19 JAN 68
 EV 19 JAN 68
 EW 19 JAN 68
 EX 19 JAN 68
 EY 19 JAN 68
 EZ 19 JAN 68
 FA 19 JAN 68
 FB 19 JAN 68
 FC 19 JAN 68
 FD 19 JAN 68
 FE 19 JAN 68
 FF 19 JAN 68
 FG 19 JAN 68
 FH 19 JAN 68
 FI 19 JAN 68
 FJ 19 JAN 68
 FK 19 JAN 68
 FL 19 JAN 68
 FM 19 JAN 68
 FN 19 JAN 68
 FO 19 JAN 68
 FP 19 JAN 68
 FQ 19 JAN 68
 FR 19 JAN 68
 FS 19 JAN 68
 FT 19 JAN 68
 FU 19 JAN 68
 FV 19 JAN 68
 FW 19 JAN 68
 FX 19 JAN 68
 FY 19 JAN 68
 FZ 19 JAN 68
 GA 19 JAN 68
 GB 19 JAN 68
 GC 19 JAN 68
 GD 19 JAN 68
 GE 19 JAN 68
 GF 19 JAN 68
 GG 19 JAN 68
 GH 19 JAN 68
 GI 19 JAN 68
 GJ 19 JAN 68
 GK 19 JAN 68
 GL 19 JAN 68
 GM 19 JAN 68
 GN 19 JAN 68
 GO 19 JAN 68
 GP 19 JAN 68
 GQ 19 JAN 68
 GR 19 JAN 68
 GS 19 JAN 68
 GT 19 JAN 68
 GU 19 JAN 68
 GV 19 JAN 68
 GW 19 JAN 68
 GX 19 JAN 68
 GY 19 JAN 68
 GZ 19 JAN 68
 HA 19 JAN 68
 HB 19 JAN 68
 HC 19 JAN 68
 HD 19 JAN 68
 HE 19 JAN 68
 HF 19 JAN 68
 HG 19 JAN 68
 HH 19 JAN 68
 HI 19 JAN 68
 HJ 19 JAN 68
 HK 19 JAN 68
 HL 19 JAN 68
 HM 19 JAN 68
 HN 19 JAN 68
 HO 19 JAN 68
 HP 19 JAN 68
 HQ 19 JAN 68
 HR 19 JAN 68
 HS 19 JAN 68
 HT 19 JAN 68
 HU 19 JAN 68
 HV 19 JAN 68
 HW 19 JAN 68
 HX 19 JAN 68
 HY 19 JAN 68
 HZ 19 JAN 68
 IA 19 JAN 68
 IB 19 JAN 68
 IC 19 JAN 68
 ID 19 JAN 68
 IE 19 JAN 68
 IF 19 JAN 68
 IG 19 JAN 68
 IH 19 JAN 68
 II 19 JAN 68
 IJ 19 JAN 68
 IK 19 JAN 68
 IL 19 JAN 68
 IM 19 JAN 68
 IN 19 JAN 68
 IO 19 JAN 68
 IP 19 JAN 68
 IQ 19 JAN 68
 IR 19 JAN 68
 IS 19 JAN 68
 IT 19 JAN 68
 IU 19 JAN 68
 IV 19 JAN 68
 IW 19 JAN 68
 IX 19 JAN 68
 IY 19 JAN 68
 IZ 19 JAN 68
 JA 19 JAN 68
 JB 19 JAN 68
 JC 19 JAN 68
 JD 19 JAN 68
 JE 19 JAN 68
 JF 19 JAN 68
 JG 19 JAN 68
 JH 19 JAN 68
 JI 19 JAN 68
 JJ 19 JAN 68
 JK 19 JAN 68
 JL 19 JAN 68
 JM 19 JAN 68
 JN 19 JAN 68
 JO 19 JAN 68
 JP 19 JAN 68
 JQ 19 JAN 68
 JR 19 JAN 68
 JS 19 JAN 68
 JT 19 JAN 68
 JU 19 JAN 68
 JV 19 JAN 68
 JW 19 JAN 68
 JX 19 JAN 68
 JY 19 JAN 68
 JZ 19 JAN 68
 KA 19 JAN 68
 KB 19 JAN 68
 KC 19 JAN 68
 KD 19 JAN 68
 KE 19 JAN 68
 KF 19 JAN 68
 KG 19 JAN 68
 KH 19 JAN 68
 KI 19 JAN 68
 KJ 19 JAN 68
 KK 19 JAN 68
 KL 19 JAN 68
 KM 19 JAN 68
 KN 19 JAN 68
 KO 19 JAN 68
 KP 19 JAN 68
 KQ 19 JAN 68
 KR 19 JAN 68
 KS 19 JAN 68
 KT 19 JAN 68
 KU 19 JAN 68
 KV 19 JAN 68
 KW 19 JAN 68
 KX 19 JAN 68
 KY 19 JAN 68
 KZ 19 JAN 68
 LA 19 JAN 68
 LB 19 JAN 68
 LC 19 JAN 68
 LD 19 JAN 68
 LE 19 JAN 68
 LF 19 JAN 68
 LG 19 JAN 68
 LH 19 JAN 68
 LI 19 JAN 68
 LJ 19 JAN 68
 LK 19 JAN 68
 LL 19 JAN 68
 LM 19 JAN 68
 LN 19 JAN 68
 LO 19 JAN 68
 LP 19 JAN 68
 LQ 19 JAN 68
 LR 19 JAN 68
 LS 19 JAN 68
 LT 19 JAN 68
 LU 19 JAN 68
 LV 19 JAN 68
 LW 19 JAN 68
 LX 19 JAN 68
 LY 19 JAN 68
 LZ 19 JAN 68
 MA 19 JAN 68
 MB 19 JAN 68
 MC 19 JAN 68
 MD 19 JAN 68
 ME 19 JAN 68
 MF 19 JAN 68
 MG 19 JAN 68
 MH 19 JAN 68
 MI 19 JAN 68
 MJ 19 JAN 68
 MK 19 JAN 68
 ML 19 JAN 68
 MM 19 JAN 68
 MN 19 JAN 68
 MO 19 JAN 68
 MP 19 JAN 68
 MQ 19 JAN 68
 MR 19 JAN 68
 MS 19 JAN 68
 MT 19 JAN 68
 MU 19 JAN 68
 MV 19 JAN 68
 MW 19 JAN 68
 MX 19 JAN 68
 MY 19 JAN 68
 MZ 19 JAN 68
 NA 19 JAN 68
 NB 19 JAN 68
 NC 19 JAN 68
 ND 19 JAN 68
 NE 19 JAN 68
 NF 19 JAN 68
 NG 19 JAN 68
 NH 19 JAN 68
 NI 19 JAN 68
 NJ 19 JAN 68
 NK 19 JAN 68
 NL 19 JAN 68
 NM 19 JAN 68
 NN 19 JAN 68
 NO 19 JAN 68
 NP 19 JAN 68
 NQ 19 JAN 68
 NR 19 JAN 68
 NS 19 JAN 68
 NT 19 JAN 68
 NU 19 JAN 68
 NV 19 JAN 68
 NW 19 JAN 68
 NX 19 JAN 68
 NY 19 JAN 68
 NZ 19 JAN 68
 OA 19 JAN 68
 OB 19 JAN 68
 OC 19 JAN 68
 OD 19 JAN 68
 OE 19 JAN 68
 OF 19 JAN 68
 OG 19 JAN 68
 OH 19 JAN 68
 OI 19 JAN 68
 OJ 19 JAN 68
 OK 19 JAN 68
 OL 19 JAN 68
 OM 19 JAN 68
 ON 19 JAN 68
 OO 19 JAN 68
 OP 19 JAN 68
 OQ 19 JAN 68
 OR 19 JAN 68
 OS 19 JAN 68
 OT 19 JAN 68
 OU 19 JAN 68
 OV 19 JAN 68
 OW 19 JAN 68
 OX 19 JAN 68
 OY 19 JAN 68
 OZ 19 JAN 68
 PA 19 JAN 68
 PB 19 JAN 68
 PC 19 JAN 68
 PD 19 JAN 68
 PE 19 JAN 68
 PF 19 JAN 68
 PG 19 JAN 68
 PH 19 JAN 68
 PI 19 JAN 68
 PJ 19 JAN 68
 PK 19 JAN 68
 PL 19 JAN 68
 PM 19 JAN 68
 PN 19 JAN 68
 PO 19 JAN 68
 PP 19 JAN 68
 PQ 19 JAN 68
 PR 19 JAN 68
 PS 19 JAN 68
 PT 19 JAN 68
 PU 19 JAN 68
 PV 19 JAN 68
 PW 19 JAN 68
 PX 19 JAN 68
 PY 19 JAN 68
 PZ 19 JAN 68
 QA 19 JAN 68
 QB 19 JAN 68
 QC 19 JAN 68
 QD 19 JAN 68
 QE 19 JAN 68
 QF 19 JAN 68
 QG 19 JAN 68
 QH 19 JAN 68
 QI 19 JAN 68
 QJ 19 JAN 68
 QK 19 JAN 68
 QL 19 JAN 68
 QM 19 JAN 68
 QN 19 JAN 68
 QO 19 JAN 68
 QP 19 JAN 68
 QQ 19 JAN 68
 QR 19 JAN 68
 QS 19 JAN 68
 QT 19 JAN 68
 QU 19 JAN 68
 QV 19 JAN 68
 QW 19 JAN 68
 QX 19 JAN 68
 QY 19 JAN 68
 QZ 19 JAN 68
 RA 19 JAN 68
 RB 19 JAN 68
 RC 19 JAN 68
 RD 19 JAN 68
 RE 19 JAN 68
 RF 19 JAN 68
 RG 19 JAN 68
 RH 19 JAN 68
 RI 19 JAN 68
 RJ 19 JAN 68
 RK 19 JAN 68
 RL 19 JAN 68
 RM 19 JAN 68
 RN 19 JAN 68
 RO 19 JAN 68
 RP 19 JAN 68
 RQ 19 JAN 68
 RR 19 JAN 68
 RS 19 JAN 68
 RT 19 JAN 68
 RU 19 JAN 68
 RV 19 JAN 68
 RW 19 JAN 68
 RX 19 JAN 68
 RY 19 JAN 68
 RZ 19 JAN 68
 SA 19 JAN 68
 SB 19 JAN 68
 SC 19 JAN 68
 SD 19 JAN 68
 SE 19 JAN 68
 SF 19 JAN 68
 SG 19 JAN 68
 SH 19 JAN 68
 SI 19 JAN 68
 SJ 19 JAN 68
 SK 19 JAN 68
 SL 19 JAN 68
 SM 19 JAN 68
 SN 19 JAN 68
 SO 19 JAN 68
 SP 19 JAN 68
 SQ 19 JAN 68
 SR 19 JAN 68
 SS 19 JAN 68
 ST 19 JAN 68
 SU 19 JAN 68
 SV 19 JAN 68
 SW 19 JAN 68
 SX 19 JAN 68
 SY 19 JAN 68
 SZ 19 JAN 68
 TA 19 JAN 68
 TB 19 JAN 68
 TC 19 JAN 68
 TD 19 JAN 68
 TE 19 JAN 68
 TF 19 JAN 68
 TG 19 JAN 68
 TH 19 JAN 68
 TI 19 JAN 68
 TJ 19 JAN 68
 TK 19 JAN 68
 TL 19 JAN 68
 TM 19 JAN 68
 TN 19 JAN 68
 TO 19 JAN 68
 TP 19 JAN 68
 TQ 19 JAN 68
 TR 19 JAN 68
 TS 19 JAN 68
 TU 19 JAN 68
 TV 19 JAN 68
 TW 19 JAN 68
 TX 19 JAN 68
 TY 19 JAN 68
 TZ 19 JAN 68
 UA 19 JAN 68
 UB 19 JAN 68
 UC 19 JAN 68
 UD 19 JAN 68
 UE 19 JAN 68
 UF 19 JAN 68
 UG 19 JAN 68
 UH 19 JAN 68
 UI 19 JAN 68
 UJ 19 JAN 68
 UK 19 JAN 68
 UL 19 JAN 68
 UM 19 JAN 68
 UN 19 JAN 68
 UO 19 JAN 68
 UP 19 JAN 68
 UQ 19 JAN 68
 UR 19 JAN 68
 US 19 JAN 68
 UT 19 JAN 68
 UU 19 JAN 68
 UV 19 JAN 68
 UW 19 JAN 68
 UX 19 JAN 68
 UY 19 JAN 68
 UZ 19 JAN 68
 VA 19 JAN 68
 VB 19 JAN 68
 VC 19 JAN 68
 VD 19 JAN 68
 VE 19 JAN 68
 VF 19 JAN 68
 VG 19 JAN 68
 VH 19 JAN 68
 VI 19 JAN 68
 VJ 19 JAN 68
 VK 19 JAN 68
 VL 19 JAN 68
 VM 19 JAN 68
 VN 19 JAN 68
 VO 19 JAN 68
 VP 19 JAN 68
 VQ 19 JAN 68
 VR 19 JAN 68
 VS 19 JAN 68
 VT 19 JAN 68
 VU 19 JAN 68
 VV 19 JAN 68
 VW 19 JAN 68
 VX 19 JAN 68
 VY 19 JAN 68
 VZ 19 JAN 68
 WA 19 JAN 68
 WB 19 JAN 68
 WC 19 JAN 68
 WD 19 JAN 68
 WE 19 JAN 68
 WF 19 JAN 68
 WG 19 JAN 68
 WH 19 JAN 68
 WI 19 JAN 68
 WJ 19 JAN 68
 WK 19 JAN 68
 WL 19 JAN 68
 WM 19 JAN 68
 WN 19 JAN 68
 WO 19 JAN 68
 WP 19 JAN 68
 WQ 19 JAN 68
 WR 19 JAN 68
 WS 19 JAN 68
 WT 19 JAN 68
 WU 19 JAN 68
 WV 19 JAN 68
 WW 19 JAN 68
 WX 19 JAN 68
 WY 19 JAN 68
 WZ 19 JAN 68
 XA 19 JAN 68
 XB 19 JAN 68
 XC 19 JAN 68
 XD 19 JAN 68
 XE 19 JAN 68
 XF 19 JAN 68
 XG 19 JAN 68
 XH 19 JAN 68
 XI 19 JAN 68
 XJ 19 JAN 68
 XK 19 JAN 68
 XL 19 JAN 68
 XM 19 JAN 68
 XN 19 JAN 68
 XO 19 JAN 68
 XP 19 JAN 68
 XQ 19 JAN 68
 XR 19 JAN 68
 XS 19 JAN 68
 XT 19 JAN 68
 XU 19 JAN 68
 XV 19 JAN 68
 XW 19 JAN 68
 XX 19 JAN 68
 XY 19 JAN 68
 XZ 19 JAN 68
 YA 19 JAN 68
 YB 19 JAN 68
 YC 19 JAN 68
 YD 19 JAN 68
 YE 19 JAN 68
 YF 19 JAN 68
 YG 19 JAN 68
 YH 19 JAN 68
 YI 19 JAN 68
 YJ 19 JAN 68
 YK 19 JAN 68
 YL 19 JAN 68
 YM 19 JAN 68
 YN 19 JAN 68
 YO 19 JAN 68
 YP 19 JAN 68
 YQ 19 JAN 68
 YR 19 JAN 68
 YS 19 JAN 68
 YT 19 JAN 68
 YU 19 JAN 68
 YV 19 JAN 68
 YW 19 JAN 68
 YX 19 JAN 68
 YY 19 JAN 68
 YZ 19 JAN 68
 ZA 19 JAN 68
 ZB 19 JAN 68
 ZC 19 JAN 68
 ZD 19 JAN 68
 ZE 19 JAN 68
 ZF 19 JAN 68
 ZG 19 JAN 68
 ZH 19 JAN 68
 ZI 19 JAN 68
 ZJ 19 JAN 68
 ZK 19 JAN 68
 ZL 19 JAN 68
 ZM 19 JAN 68
 ZN 19 JAN 68
 ZO 19 JAN 68
 ZP 19 JAN 68
 ZQ 19 JAN 68
 ZR 19 JAN 68
 ZS 19 JAN 68
 ZT 19 JAN 68
 ZU 19 JAN 68
 ZV 19 JAN 68
 ZW 19 JAN 68
 ZX 19 JAN 68
 ZY 19 JAN 68
 ZZ 19 JAN 68



- NOTE -
- 1 - 4-40 UNC X .125 REF TERMINAL SCREW AND LOCKWASHER (6)
 - 2 - ROLLER LEVER BRACKET ASSEMBLY MAY BE SET AT ANY POSITION AROUND AXIS OF PLUNGER
 - 3 - SEAL RATING: NEMA 1 IP40

THIS DRAWING COVERS A PROPRIETARY ITEM AND IS THE PROPERTY OF MICRO SWITCH, A DIVISION OF MINNEAPOLIS-HONEYWELL REGULATOR CO THIS DRAWING IS NOT TO BE COPIED OR USED WITHOUT THE APPROVAL OF MICRO SWITCH.

CHARACTERISTICS	ELECTRICAL DATA	SCALE FULL
PRETRAVEL - - - - .266 MAX	CONTACT ARRANGEMENT D P D T	DO NOT SCALE PRINT
DIFFERENTIAL TRAVEL - - .165 MAX	-L59- 10 A-125 OR 150 WAC	UNLESS OTHERWISE SPECIFIED
OVERTRAVEL - - - - .219 MIN	0.3 A-125 VDC, 0.15 A-250 VDC	DIMENSIONS ARE IN INCHES
SWITCH-BASIC REPLACEMENT - DT-2R3-A7		TOLERANCES ARE:
		ONE PLACE (.01) ± .010
		TWO PLACE (.001) ± .018
		THREE PLACE (.0001) ± .008
		ANGLES 2
		WEIGHT