



LS2A4L



Actual product appearance may vary.

Series HDLS Stainless Steel Non Plug-in: Side Rotary - Lever Not Included; 2NC 2NO Double-Pole, Double Throw, Snap-Action, Double-Break; 0.75 in - 14NPT conduit

Features

- Corrosion-resistant stainless steel non-plug-in body, head, and rotary shaft
- Stainless steel levers
- Fluorocarbon seals
- -12 °C to 121 °C [10 °F to 250 °F]
- UL Listed, file #E37138
- CSA Certified, file #LR57326
- NEMA 1, 3, 3R, 4, 4X, 6, 6P, and 13

Potential Applications

- Shipboards and dockside
- Power generating plants
- Caustic waste handling
- Mining
- Food and beverage
- corrosive valve locations
- Electronic assembly

Description

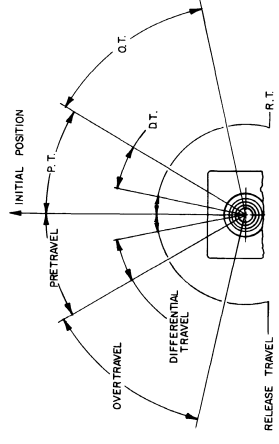
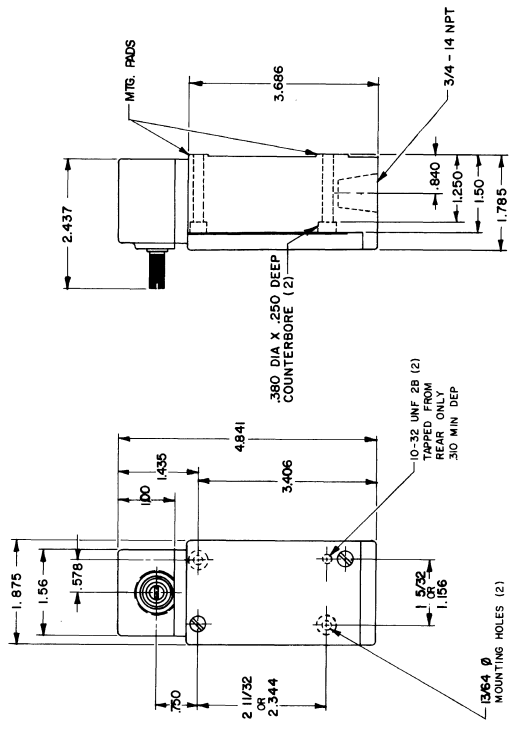
Sensing and Control offers the world's most advanced line of MICRO SWITCH™ heavy-duty limit switches. These switches include boss-and-socket head design for secure head-to-body retention, unique all-metal drive train for consistent operating characteristics even at high temperature (lasts longer without the need for frequent adjustment than drive trains with plastic parts,) self-lifting pressure plate terminals save wiring time, easily identified grounding terminal (inside) for compliance with OSHA and other regulatory agency standards, one piece flat gasket (seals better than gaskets that go around curves and corners, does not contact terminal pins to reduce chances of fluid migration,) front mounting and interchangeability of single- and double-pole switches, plug-in and non plug-in with one another and with other switch brands, tracking interchangeability of actuator levers for single- and double-pole switches, plug-in and non plug-in, twin shaft seals for an extra measure of protection, inner FC O-ring seal, outer Buna-N seal (all FC available,) FC shaft and diaphragm seals on side rotary switches, rugged corrosion-resistant zinc head and body are phosphate treated and epoxy finished, exclusive teller tab assures proper torque (when it cannot be moved the lever is tight enough to prevent slippage) and domestic and international conduit taps.

Product Specifications	
Availability	Global
Operating Force (O.F.)	0,45 N m max. [4 in lb max.]
Pretravel (P.T.)	15° max.
Overtravel (O.T.)	60° min.
Differential Travel (D.T.)	7° max.
Product Type	MICRO SWITCH™ Stainless Steel Heavy-Duty Limit Switches
Actuator	Side Rotary
Lever Style	Lever Not Included - Reference Lever Required Accessory
Circuitry	2NC 2NO Double-Pole Double-Throw, Snap-Action, Double-Break
Ampere Rating	10 A (Thermal)
Supply Voltage	600 Vac and 250 Vdc max.
Housing Material	Stainless Steel
Termination Type	0.75 in - 14NPT conduit
Housing Type	SS Non Plug-in
Series Name	HDLS - Stainless Steel
Sealing	NEMA 1, 3, 3R, 4, 4X, 6, 6P, 13
Approvals	UL listed, CSA Certified, CE Certified, CCC Certified
CSA File #	LR57326/Master Contract 152457
UL File #	E37138
Operating Temperature Range	-12 °C to 121 °C [10 °F to 250 °F]
Agency Approvals and Standards	EN60947-1, EN60947-5-1
UNSPSC Code	302119
UNSPSC Commodity	302119 Switches and controls and relays
Sealed	Industrial

1	7	10/10/64	10/10/64
2	6	8/21/64	8/21/64
3	5	7/21/64	7/21/64
4	4	6/21/64	6/21/64
5	3	5/21/64	5/21/64
6	2	4/21/64	4/21/64
7	1	3/21/64	3/21/64

SINGLE POLE AND DOUBLE POLE (NON PLUG IN)

SIDE ROTARY



OPERATING CHARACTERISTICS	LS2A MOMENTARY	LS2N CENTER NEUTRAL DOUBLE POLE ONLY	LS2N MAINTAINED	LS2H NON-ROTARY SEQUENCE DOUBLE POLE ONLY	
				LOW PRETRAVEL & LOW TORQUE	1ST STEP 15°-2 NO STEP 10° ADD'L
PRETRAVEL (MAX)	15°	18°	65°	9°	48°
OVERTRAVEL (MIN)	60°	57°	20°	66°	
DIFFERENTIAL TRAVEL (MAX)	Single Pole 5° Double Pole 7°	10°	40°	Single Pole 3° Double Pole 4°	5°
TOTAL TRAVEL (REF)	75°	75°	90°	75°	75°
OPERATING TORQUE (MAX)	4 IN. LBS	4 IN. LBS	4 IN. LBS	1.7 IN. LBS	4 IN. LBS
FULL TRAVEL TORQUE (MAX)	4 IN. LBS	4 IN. LBS	N/A	1.7 IN. LBS	4 IN. LBS

MASTER REDUCED

THIS DRAWING COVERS A PROPRIETARY ITEM AND IS THE PROPERTY OF MICRO SWITCH, A DIVISION OF HONEYWELL. THIS DRAWING IS NOT TO BE COPIED OR USED WITHOUT THE APPROVAL OF MICRO SWITCH.

MICRO SWITCH
 FREEPORT ILLINOIS, U.S.A.
 A DIVISION OF HONEYWELL
 FED. REG. CODE 5122

SWITCH - ENCLOSED

CATALOG LISTING
LS2 SERIES
 CHART 1

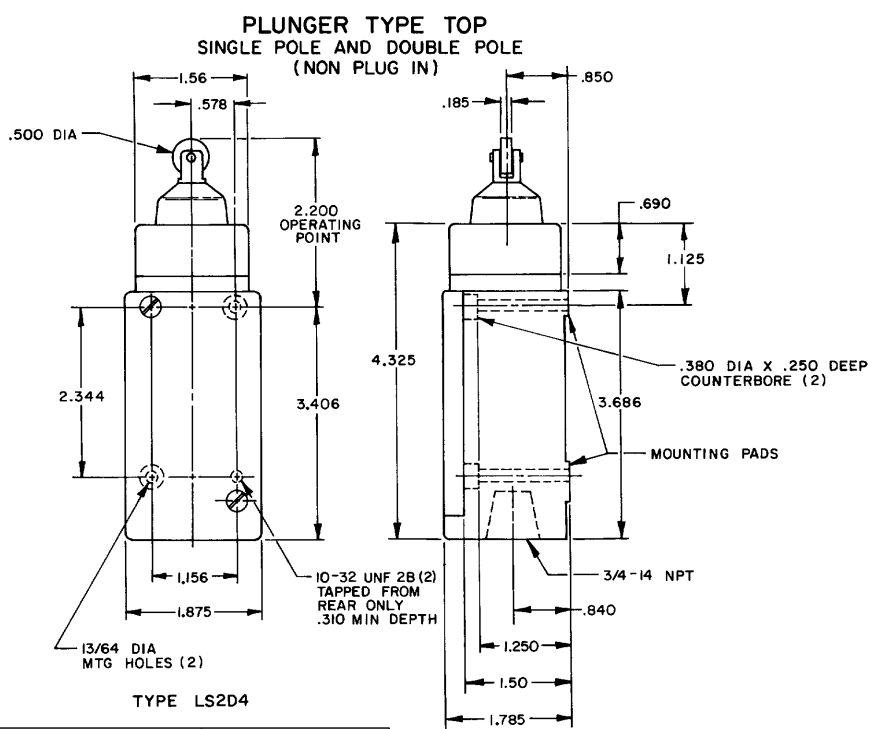
THIRD ANGLE PROJECTION
 SCALE NONE
 DO NOT SCALE PRINT

L52 SERIES
 CATALOG LISTING
 LS2 SERIES
 CHART 1
 ISSUE 7
 PAGE 2 OF 4
 RELEASE NO. CO-78498
 REPLACES
 REVISIONS
 A 82000
 B 13 NOV 95
 C 13227
 D 204630
 E 206344
 F 0002358
 J A K 13 NOV 95
 RASTER
 DRAWN
 J A K 13 NOV 95
 CHECKED
 J A F 17 NOV 95
 CHECKED

MICRO SWITCH
 a Honeywell Division
 FED. MFG. CODE 91628

SWITCH - ENCLOSED

CATALOG LISTING
LS2 SERIES
CHART 1



NOTE
 1 OPERATING POINT GIVEN IN RELATION TO TOP MOUNTING HOLE
 2 NOT APPLICABLE FOR 3N (DIRECT ACTING BASIC)

THIS DRAWING COVERS A PROPRIETARY ITEM AND IS THE PROPERTY OF MICRO SWITCH, A DIVISION OF HONEYWELL. THIS DRAWING IS NOT TO BE COPIED OR USED WITHOUT THE APPROVAL OF MICRO SWITCH.		THIRD ANGLE PROJECTION
CHARACTERISTICS OPERATING FORCE ----- 4 LBS MAX OPERATING POINT ----- 2.200±.040 FULL OVERTRAVEL FORCE --- 7 LBS MAX PRETRAVEL ----- .070 MAX DIFFERENTIAL TRAVEL --- S.P. -.015 MAX D.P. -.020 MAX OVERTRAVEL ----- .190 MIN	ELECTRICAL DATA CONTACT ARRANGEMENT	SCALE NONE DO NOT SCALE PRINT UNLESS OTHERWISE SPECIFIED TOLERANCES ARE ONE PLACE (.0) ±.030 TWO PLACE (.00) ±.015 THREE PLACE (.000) ±.005 ANGLES ± WEIGHT