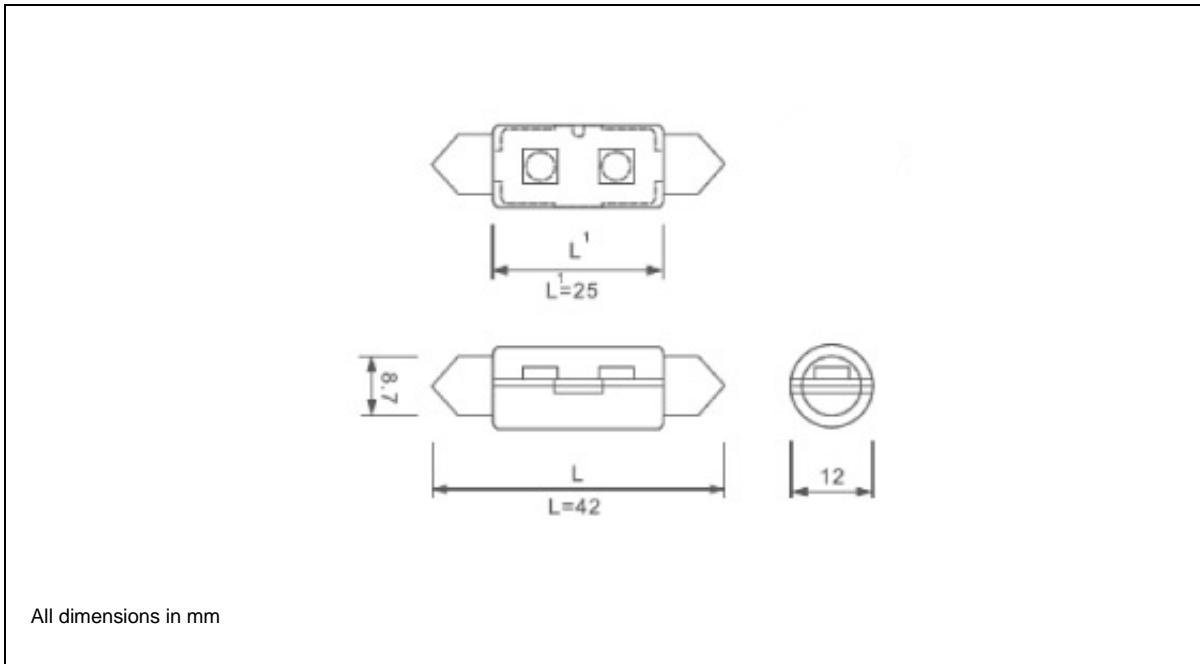


PRODUCT DATA SHEET



T-3 ³ / ₄ (T 12 x 42MM LED FESTOON LAMP – 0.5W	FESLED24005WW
--	---------------



Design Voltage:	VDC VAC	24	
Current Consumption:	mA	20	
Power Consumption	mW	500	
Light Output:	Lm	30 ± 5	
Viewing Angle:	Degrees	110°	
Colour Appearance:	Warm White		
COLOUR Rendering Index	80		
Colour Temperature:	°K	2600 – 3000	
LED Type:	SMD x 2		
Operating Temperature:	°C	-20 / +60	
Storage Temperature:	°C	-25 / +80	
Life Duration (@24V)	Hours	20,000	

Notes:

- 1) SV8.5-8 base to IEC61-1, data sheet 7004-81-x.
- 2) LED type: PLCC-6, InGaN + phosphor.
- 3) Operating Voltage: 24~28VAC / DC (bi-polarity).
- 4) Life Duration figure represents time to 50% reduction in light output compared with initial value.
- 5) Marking: ~ White plastic casing marked "24V AC/DC"
- 6) Unit weight: 4.0g
- 7) RoHS compliant.