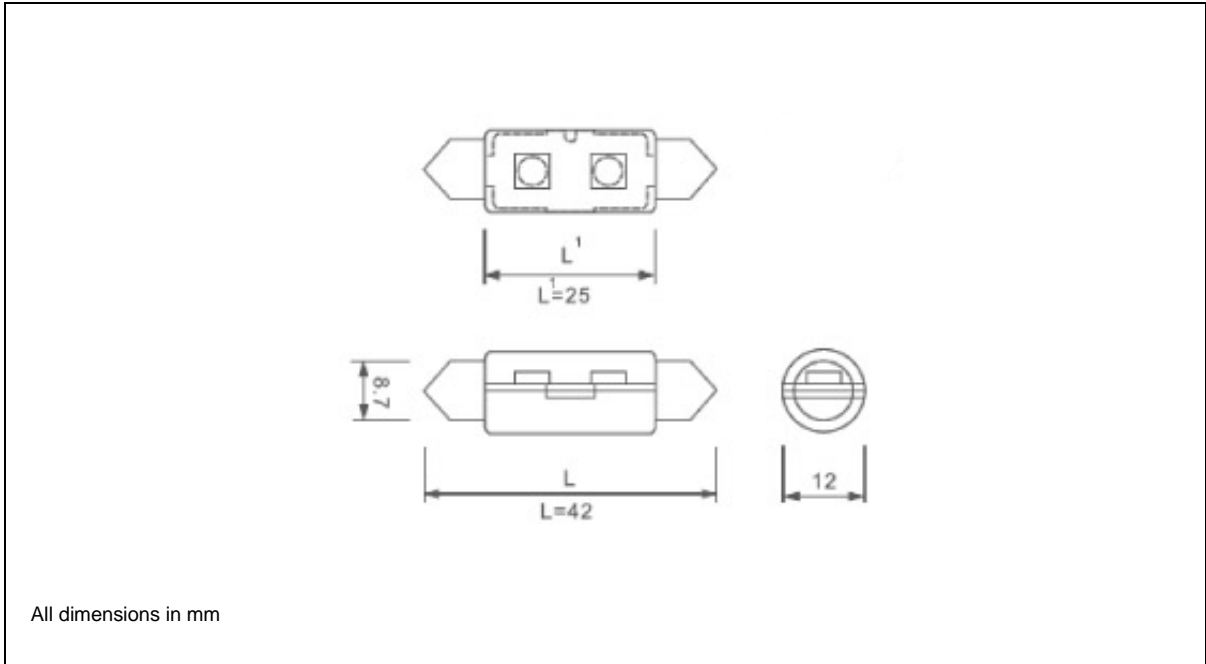


# PRODUCT DATA SHEET



T-3 <sup>3</sup> / <sub>4</sub> (T12 x 42MM LED FESTOON LAMP – 0.5W)	FESLED12005WW
----------------------------------------------------------------------	---------------



Design Voltage:	VDC VAC	12	
Current Consumption:	mA	40	
Power Consumption	mW	500	
Light Output:	Lm	30 ± 5	
Viewing Angle:	Degrees	110°	
Colour Appearance:	Warm White		
COLOUR Rendering Index	80		
Colour Temperature:	°K	2600 – 3000	
LED Type:	SMD x 2		
Operating Temperature:	°C	-20 / +60	
Storage Temperature:	°C	-25 / +80	
Life Duration (@12V)	Hours	20,000	

- Notes:
- 1) SV8.5-8 base to IEC61-1, data sheet 7004-81-x.
  - 2) LED type: PLCC-6, InGaN + phosphor.
  - 3) Operating Voltage: 12~15VAC / DC (bi-polarity).
  - 4) Life Duration figure represents time to 50% reduction in light output compared with initial value.
  - 5) Marking: ~ White plastic casing marked "12V AC/DC"
  - 6) Unit Weight 4.0g
  - 7) RoHS compliant.