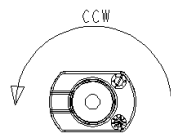


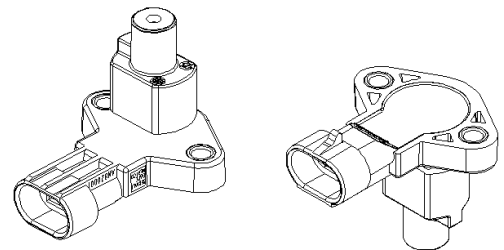
AN820001 FRONT

AN820001 BACK



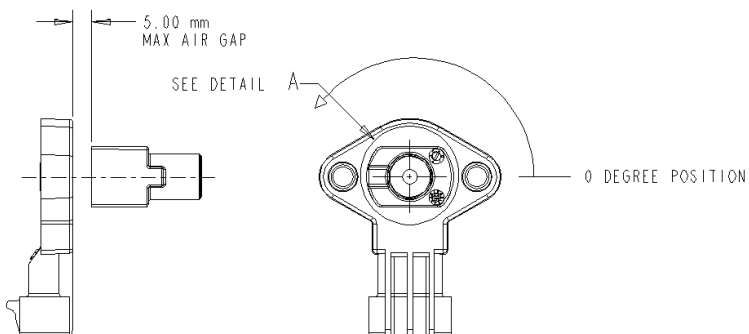
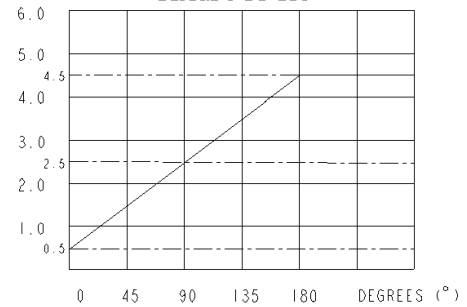
MAGNET CARRIER AS500106
0 DEGREE POSITION

DETAIL A
SCALE 1:1



VOLTAGE (V)

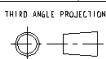
**SENSOR OUTPUT GRAPH
FROM 0 TO 180**



DWN: AF
APVD: SM
DATE: 05-May-06

THE CONFIDENTIAL AND PROPRIETARY
INFORMATION CONTAINED IN THIS DOCUMENT
IS OWNED BY CHERRY ELECTRICAL PRODUCTS,
A DIVISION OF THE CHERRY CORPORATION WHO
MUST GIVE WRITTEN PERMISSION BEFORE THE
DOCUMENT OR INFORMATION CAN BE COPIED,
DISCLOSED OR USED IN ANY WAY.

CHERRY 11200 88TH AVE.
ELECTRICAL PRODUCTS PLEASANT PRAIRIE, WI 53158



TOLENANCE UNLESS SPECIFIED

NAME / DESCRIPTION
AN820001 + AS500106 KIT

C	17162	22-Apr-08	HV	TKO
REV	ECO NO.	DATE	PREP	APVD

DWG UNITS	X	X	X	XX	ANGLES
mm	± 0.30	± 0.10	± 1.0		

B	ITEM NO.	CUI03601

PROJECT / CSR n/a

SCALE: 1:1 SH 1 OF 1