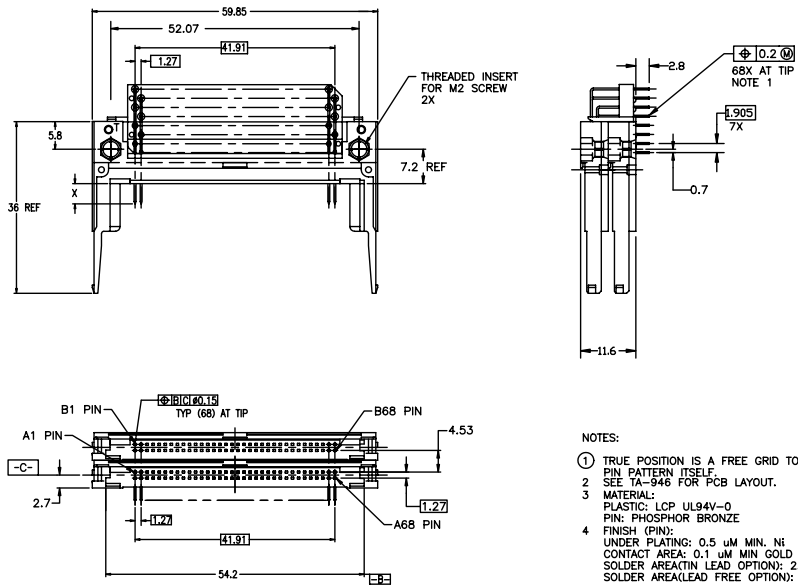


Tous droits strictement réservés. Reproduction ou communication à des tiers interdite sous quelque forme que ce soit sans autorisation écrite du propriétaire. Propriété de FCI. Droits de reproduction FCI.

All rights strictly reserved. Reproduction or issue to third parties in any form whatever is not permitted without written authority from the proprietor. Property of FCI. Copyright FCI.

PRODUCT NO.	DIM X			MOUNTING STYLE	COLOR
	4.25±0.1	3.5±0.1	5.0±0.1		
92821-000/000LF	OTHERS	36,67	1,17,34 35,51,68	TOP W/O LOCATOR	BLACK



- NOTES:
- TRUE POSITION IS A FREE GRID TO THE PIN PATTERN ITSELF.
 - SEE TA-946 FOR PCB LAYOUT.
 - MATERIAL: PLASTIC; LOP UL94V-0
PIN: PHOSPHOR BRONZE
 - FINISH (PIN):
UNDER PLATING: 0.5 µM MIN. Ni
CONTACT AREA: 0.1 µM MIN GOLD OVER 0.5 µM MIN. Pd-Ni
SOLDER AREA(TIN LEAD OPTION): 2.5 µM MIN. Sn-Pb
SOLDER AREA(LEAD FREE OPTION): 2.5 µM MIN. PURE TIN.

mat'l. code		tolerances unless otherwise specified		CUSTOMER COPY		 www.fciconnect.com	
ltr	ecn no	dr	date	linear	.X±.3	projection	title
D	V31680	RDS	9/8/93		.XX±.13		68 POSITION DOUBLE DECK
E	V40623	RDS	3/16/94		.XXX±.051		TYPE-123 EJECT HEADER
F	V41226	RDS	8/18/94	angles	0° ±2'		product family MCS
G	V41439	RDS	9/30/94	dr	D.SHEAFFER 6/9/93	MM	code -
H	T40309	MSC	2/2/95	engr	D.BRANN 6/9/93	scale 2:1	size A4
J	V12164	TFG	8/17/01	chr	D.BRANN 6/9/93		92821
K	N05-0052	WB	02/25/05	appd	D.BRANN 6/9/93		sheet 1 of 6
sheet index	revision	K	K	K	K	K	K
	sheet	1	2	3	4	5	6

ACAD

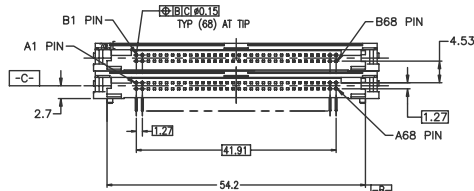
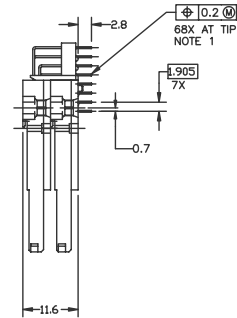
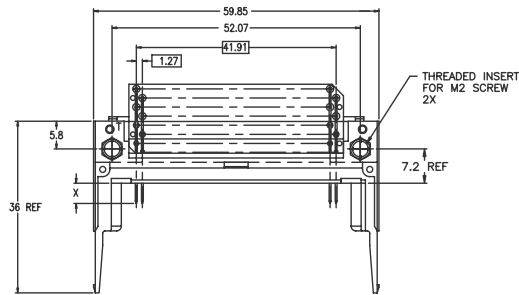
PDM: Rev:K

STATUS Released 26 Printed: Oct 12, 2014

Tous droits strictement réservés. Reproduction ou communication a des tiers interdite sous quelque forme que ce soit sans autorisation écrite du propriétaire. Propriété de c FCI. Droits de reproduction FCI.

All rights strictly reserved. Reproduction or issue to third parties in any form whatever is not permitted without written authority from the proprietor. Property of FCI. Copyright FCI.

PRODUCT NO.	DIM X			MOUNTING STYLE	COLOR
	4.25±0.1	3.5±0.1	5.0±0.1		
92821-003/003LF	OTHERS	36,67	1,17,34 35,51,68	TOP W\LOCATOR	BLACK



NOTES:

- TRUE POSITION IS A FREE GRID TO THE PIN PATTERN ITSELF.
- SEE TA-946 FOR PCB LAYOUT.
- MATERIAL:
PLASTIC: LCP UL94V-0
PIN: PHOSPHOR BRONZE
- FINISH (PIN):
UNDER PLATING: 0.5 μM MIN. Ni
CONTACT AREA: 0.1 μM MIN GOLD OVER 0.5 μM MIN. Pd-Ni
SOLDER AREA(TIN LEAD OPTION): 2.5 μM MIN. Sn-Pb
SOLDER AREA(LEAD FREE OPTION): 2.5 μM MIN. PURE TIN

mat'l. code		tolerances unless otherwise specified		CUSTOMER COPY		 www.fciconnect.com	
ltr	ecn no	dr	date	linear	projection	title	
K				.XX±.13	 MM	68 POSITION DOUBLE DECK	
				.XXX±.051		TYPE-123 EJECT HEADER	
				angles	scale	product family	code
				dr D.SHEAFFER 6/9/93	2:1	MCS	-
				enrg D.BRANN 6/9/93		size	dwg no
				chr D.BRANN 6/9/93		A4	92821
				appd D.BRANN 6/9/93			sheet
sheet	revision						2 of
index	sheet						

ACAD

PDM: Rev:K

STATUS: Released 2.6 Printed: Oct 12, 2014

1 | 2

3

4

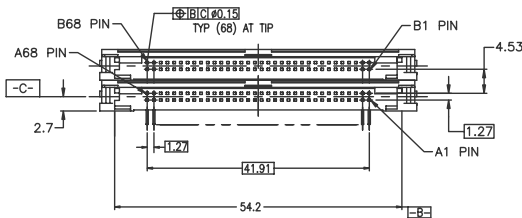
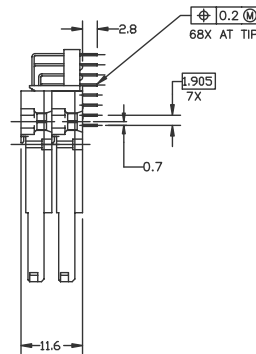
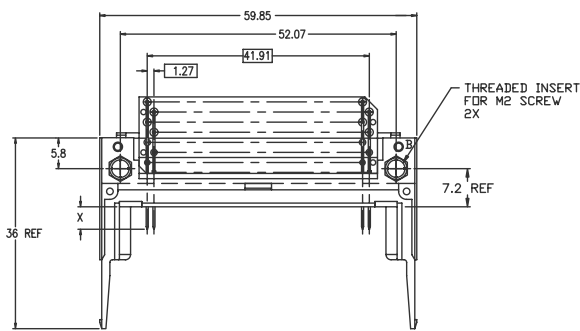
cage code

4

Tous droits strictement réservés. Reproduction ou communication à des tiers interdite sous quelque forme que ce soit sans autorisation écrite du propriétaire. Propriété de c FCI. Droits de reproduction FCI.

All rights strictly reserved. Reproduction or issue to third parties in any form whatever is not permitted without written authority from the proprietor. Property of FCI. Copyright FCI.

PRODUCT ND.	DIM X			MOUNTING STYLE	COLOR
	4.25±0.1	3.5±0.1	5.0±0.1		
92821-500/500LF	OTHERS	36,67	1,17,34 35,51,68	BOTTOM W/O LOCATOR	NATURAL



NOTES:

- TRUE POSITION IS A FREE GRID TO THE PIN PATTERN ITSELF.
- SEE TA-946 FOR PCB LAYOUT.
- MATERIAL:
PLASTIC: LCP UL94V-0
PIN: PHOSPHOR BRONZE
- FINISH (PIN):
UNDER PLATING: 0.5 µM MIN. Ni
CONTACT AREA: 0.1 µM MIN. GOLD OVER 0.5 µM MIN. Pd-Ni
SOLDER AREA(TIN LEAD OPTION): 2.5 µM MIN. Sn-Pb
SOLDER AREA(LEAD FREE OPTION): 2.5 µM MIN. PURE TIN

mat'l. code		tolerances unless otherwise specified		CUSTOMER COPY		 www.fciconnect.com	
ltr	ecn no	dr	date	linear	projection	title	
K				.X±.3	 MM	68 POSITION DOUBLE DECK	
				.XX±.13		TYPE-123 EJECT HEADER	
				.XXX±.051	 2:1	product family	code
				0° ±2'		MCS	-
				dr D.SHEAFFER 6/9/93	size	dwg no	sheet
				enrg D.BRANN 6/9/93	A4	92821	3 of
				chr D.BRANN 6/9/93			
				appd D.BRANN 6/9/93			
sheet	revision				cage code		
index	sheet				26		

ACAD

PDM: Rev:K

STATUS: Released 26 Printed: Oct 12, 2014

1 | 2

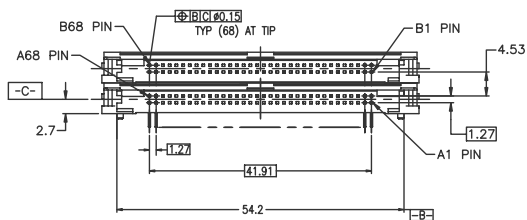
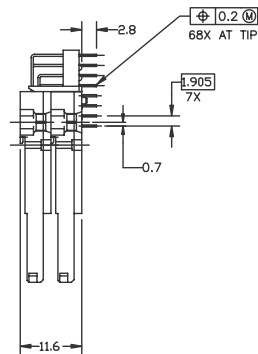
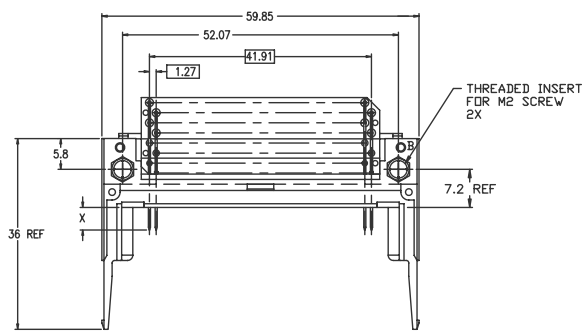
3

4

Tous droits strictement réservés. Reproduction ou communication a des tiers
interdite sous quelque forme que ce soit sans autorisation écrite du propriétaire.
Propriété de c FCI. Droits de reproduction FCI.

All rights strictly reserved. Reproduction or issue to third parties in any
form whatever is not permitted without written authority from the proprietor.
Property of FCI. Copyright FCI.

PRODUCT NO.	DIM X			MOUNTING STYLE	COLOR
	4.25±0.1	3.5±0.1	5.0±0.1		
92821-503/503LF	OTHERS	36,67	1,17,34 35,51,68	BOTTOM W\LOCATOR	NATURAL



NOTES:

- TRUE POSITION IS A FREE GRID TO THE PIN PATTERN ITSELF.
- SEE TA-946 FOR PCB LAYOUT.
- MATERIAL:
PLASTIC: LCP UL94V-0
PIN: PHOSPHOR BRONZE
- FINISH (PIN):
UNDER PLATING: 0.5 µM MIN. NI
CONTACT AREA: 0.1 µM MIN GOLD OVER 0.5 µM MIN. Pd-NI
SOLDER AREA (LEAD OPTION): 2.5 µM MIN. Sn-Pb
SOLDER AREA (LEAD FREE OPTION): 2.5 µM MIN. PURE TIN

mat'l. code		tolerances unless otherwise specified		CUSTOMER COPY		 www.fciconnect.com	
ltr	ecn no	dr	date	linear	.XX±.13	projection	title
k					.XXX±.051	 MM	68 POSITION DOUBLE DECK TYPE-123 EJECT HEADER
				angles	0° ±2'		product family
				dr	D.SHEAFFER 6/9/93	scale	2:1
				engr	D.BRANN 6/9/93	size	A4
				chr	D.BRANN 6/9/93	dwg no	92821
				appd	D.BRANN 6/9/93	sheet	4 of
sheet index	revision sheet					cage code	26

ACAD

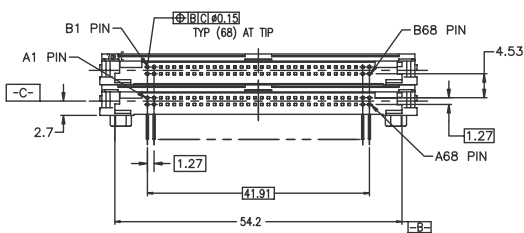
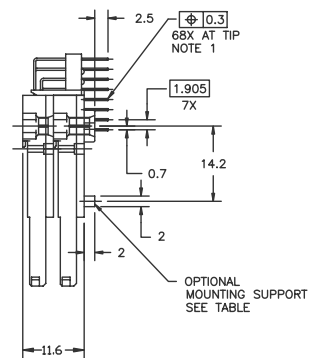
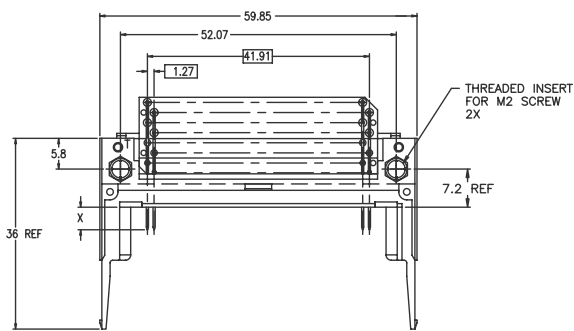
PDM: Rev:K

STATUS: Released 26 Printed: Oct 12, 2014

Tous droits strictement réservés. Reproduction ou communication à des tiers interdite sous quelque forme que ce soit sans autorisation écrite du propriétaire. Propriété de c FCI. Droits de reproduction FCI.

All rights strictly reserved. Reproduction or issue to third parties in any form whatever is not permitted without written authority from the proprietor. Property of FCI. Copyright FCI.

PRODUCT NO.	DIM X			MOUNTING STYLE	COLOR	MOUNTING STYLE
	4.25±0.1	3.5±0.1	5.0±0.1			
92821-040/040LF	OTHERS	36,67	1,17,34 35,51,68	TOP W\O LOCATOR	BLACK	WITH
92821-080/080LF	OTHERS	36,67	1,17,34 35,51,68	TOP W\O LOCATOR	BLACK	WITHOUT



NOTES:

- TRUE POSITION IS A FREE GRID TO THE PIN PATTERN ITSELF.
- SEE TA-946 FOR PCB LAYOUT.
- MATERIAL:
PLASTIC: LCP UL94V-0
PIN: PHOSPHOR BRONZE
- FINISH (PIN):
UNDER PLATING: 0.5 µM MIN. Ni
CONTACT AREA: 0.1 µM MIN. GOLD OVER 0.5 µM MIN. Pd-Ni
SOLDER AREA(TIN LEAD OPTION): 2.5 µM MIN. Sn-Pb
SOLDER AREA(LEAD FREE OPTION): 2.5 µM MIN. PURE TIN

mat'l. code		tolerances unless otherwise specified		CUSTOMER COPY		Electronics FCI www.fciconnect.com	
ltr	ecn no	dr	date	linear	.XX±.13	projection	title
k				angles	.XXX±.051	0° ±2°	68 POSITION DOUBLE DECK TYPE-123 EJECT HEADER
				dr	D.SHEAFFER 6/9/93	MM	product family MCS
				engr	D.BRANN 6/9/93	scale	size dwg no
				chr	D.BRANN 6/9/93	2:1	A4 92821
				appd	D.BRANN 6/9/93		code
sheet	revision						sheet
index	sheet						5 of

ACAD

PDM: Rev:K

STATUS Released

cage code

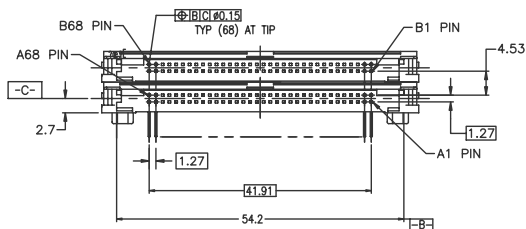
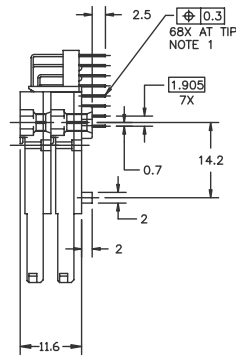
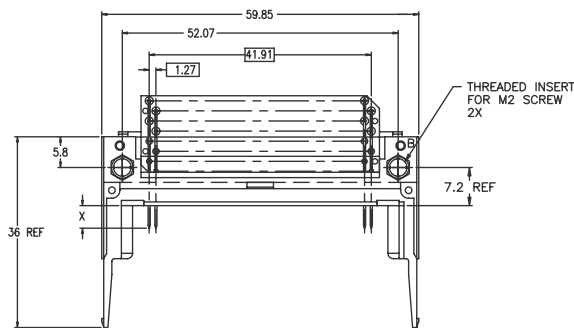
26

Printed: Oct 12, 2014

Tous droits strictement réservés. Reproduction ou communication à des tiers
interdite sous quelque forme que ce soit sans autorisation écrite du propriétaire.
Propriété de c FCI. Droits de reproduction FCI.

All rights strictly reserved. Reproduction or issue to third parties in any
form whatever is not permitted without written authority from the proprietor.
Property of FCI. Copyright FCI.

PRODUCT NO.	DIM X			MOUNTING STYLE	COLOR
	4.25±0.1	3.5±0.1	5.0±0.1		
92821-540/540LF	OTHERS	36,67	1,17,34 35,51,68	BOTTOM W/O LOCATOR	NATURAL



NOTES:

- TRUE POSITION IS A FREE GRID TO THE PIN PATTERN ITSELF.
- SEE TA-946 FOR PCB LAYOUT.
- MATERIAL:
PLASTIC: LCP UL94V-0
PIN: PHOSPHOR BRONZE
- FINISH (PIN):
UNDER PLATING: 0.5 µM MIN. Ni
CONTACT AREA: 0.1 µM MIN GOLD OVER 0.5 µM MIN. Pd-Ni
SOLDER AREA(TIN LEAD OPTION): 2.5 µM MIN. Sn-Pb
SOLDER AREA(LEAD FREE OPTION): 2.5 µM MIN. PURE TIN

mat'l. code		tolerances unless otherwise specified		CUSTOMER COPY		Electronics FCI www.fciconnect.com	
ltr	ecn no	dr	date	linear	.XX±.13	projection	title
K					.XXX±.051	MM	68 POSITION DOUBLE DECK TYPE-123 EJECT HEADER
				angles	0° ±2'	scale	product family
				dr	D.SHEAFFER 6/9/93	2:1	MCS
				engr	D.BRANN 6/9/93		size
				chr	D.BRANN 6/9/93		dwg no
				appd	D.BRANN 6/9/93		92821
sheet	revision						code
index	sheet						6 of

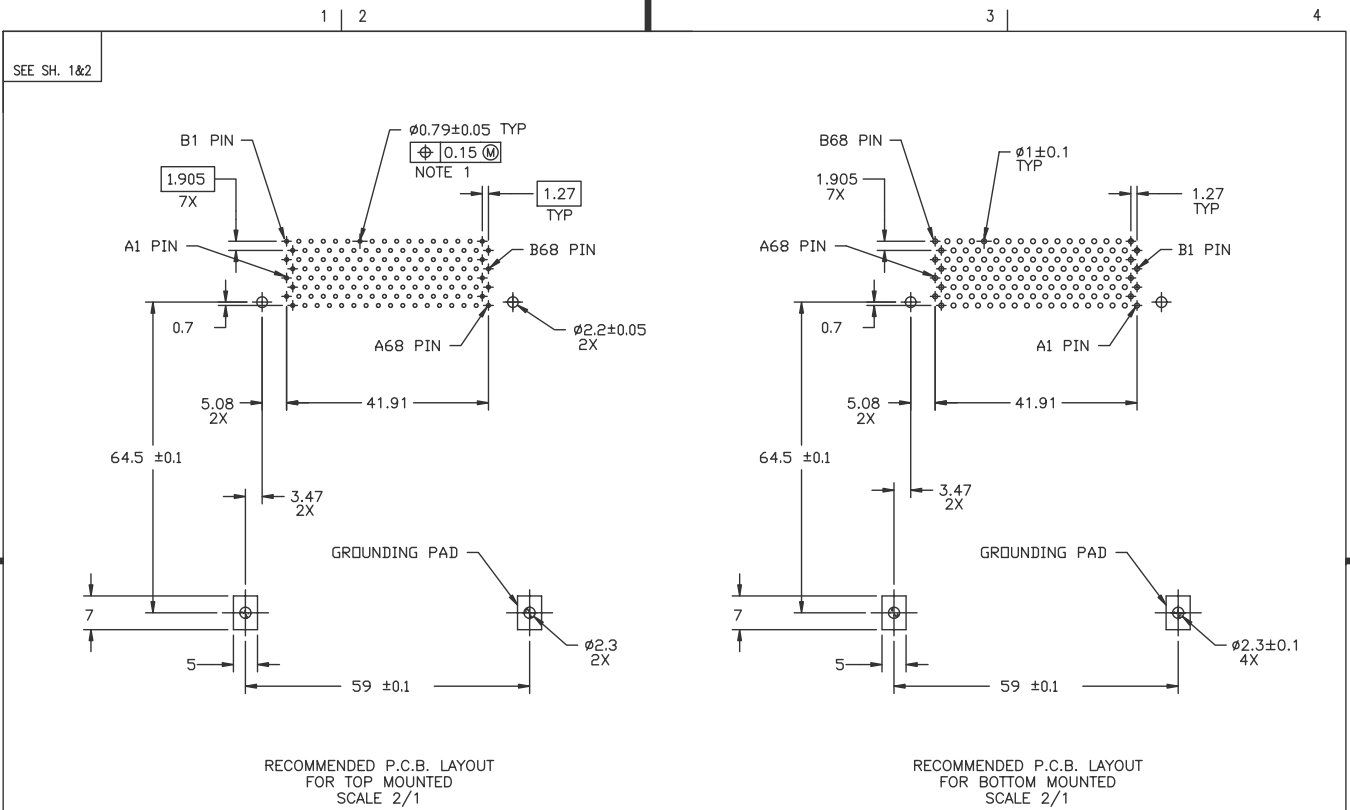
ACAD

PDM: Rev:K

STATUS Released 2.6 Printed: Oct 12, 2014

Tous droits strictement réservés. Reproduction ou communication à des tiers interdite sous quelque forme que ce soit sans autorisation écrite du propriétaire. Property of FCI. Droits de reproduction FCI.

All rights strictly reserved. Reproduction or issue to third parties in any form whatever is not permitted without written authority from the proprietor. Property of FCI. Copyright FCI.



RECOMMENDED P.C.B. LAYOUT FOR TOP MOUNTED SCALE 2/1

RECOMMENDED P.C.B. LAYOUT FOR BOTTOM MOUNTED SCALE 2/1

mat'l. code		tolerances unless otherwise specified		CUSTOMER COPY		 www.fciconnect.com	
ltr	ecn no	dr	date	linear	.XX±.13	projection	title
k					.XXX±.051		68 POSITION DOUBLE DECK TYPE-123 EJECT HEADER
				angles	0° ±2'		product family MCS code -
				dr	D.SHEAFFER 6/9/93	MM	size dwg no
				engr	D.BRANN 6/9/93	2:1	A4 92821
				chr	D.BRANN 6/9/93		sheet 7 of
				appd	D.BRANN 6/9/93		
sheet index	revision sheet						