



[Print](#)

Products

Search By:

Enter Molex Part No. or Keyword

- English
- Español
- Français
- Italiano
- Deutsch
- Polski
- Português
- По Русски
- 中文显示
- 日本語
- 한국어



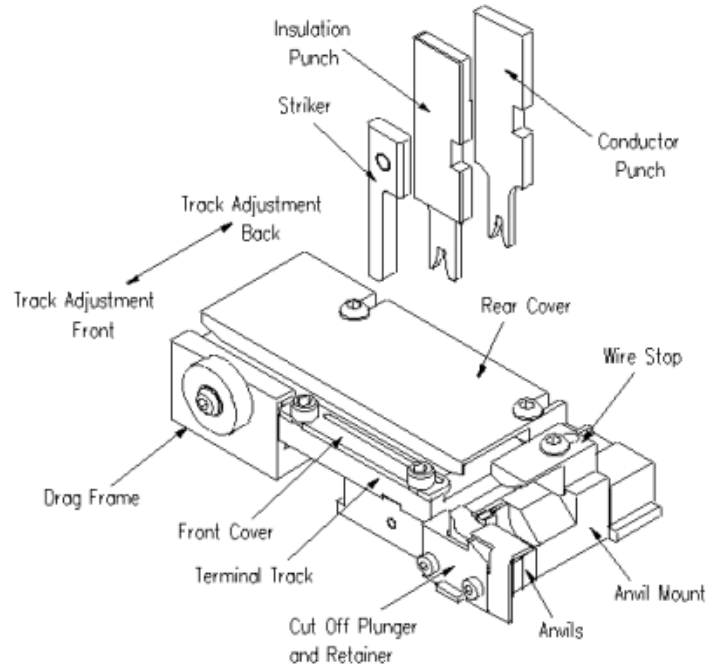
Datasheet
Application Tooling

[[Home](#) > [Products](#) > [Application Tooling](#) > [Datasheet](#)]

63850-8000

T2 Terminator Die

Status	Active
Geographic Area	Americas
Region	Americas
Level of Automation	Semi-automatic
Function	Crimp
Tool Type	T2 Terminator Die
Wire Size [AWG]	30, 28, 26
Wire Size [mm ²]	0.05 - 0.12
Wire Insulation Diameter	1.27mm (.050") max.
Wire Strip Length	2.54-2.92mm (.100-.115")
Spare Tooling / Locator	638508070
Use With	Molex TM-42 press 69002-5001 and base unit 11-19-3001 for the 3BF press
Product Name	T2
More Detailed Technical Information	applicationtooling@molex.com



T2 TERMINATOR DIE

Features and Benefits

Survey	Tooling Satisfaction
Molex Series	63850



- Flexible and inexpensive
- Enhanced crimping productivity
- Simple installation
- Quick release punches
- T2 Terminator has standardized tooling with Molex FineAdjust Applicator
- Track adjustment capabilities in the T2 Terminators for improved control of the bellmouth size and cutoff tab length

Related Products

CRIMP TERMINALS	
Product Number	Description
43030-0004	Micro-Fit 3.0™ Crimp Terminal, Female, with Select Tin (Sn) Plated Tin/Brass Alloy Contact, 26-30 AWG, Reel
43030-0005	Micro-Fit 3.0™ Crimp Terminal, Female, with Gold (Au) Plated Tin/Brass Alloy Contact, 26-30 AWG, Reel
43030-0006	Micro-Fit 3.0™ Crimp Terminal, Female, with Select Gold (Au) Plated Tin/Brass Alloy Contact, 26-30 AWG, Reel
43031-0004	Micro-Fit 3.0™ Crimp Terminal, Male, with Tin (Sn) Plated Tin/Brass Alloy Contact, 26-30 AWG, Reel
43031-0005	Micro-Fit 3.0™ Crimp Terminal, Male, with Gold (Au) Plated Tin/Brass Alloy Contact, 26-30 AWG, Reel
43031-0006	Micro-Fit 3.0™ Crimp Terminal, Male, with Select Gold (Au) Plated Tin/Brass Alloy Contact, 26-30 AWG, Reel

For all product dimensions, please refer to Drawing (PDF).

© Copyright 2005 Molex Incorporated