

Quick Reference

Search by part #



Check distributor part inventory



Products

Browse Heat sinks

- By Device -

- By Product Line -

- Attachment Methods

- Interface Materials -



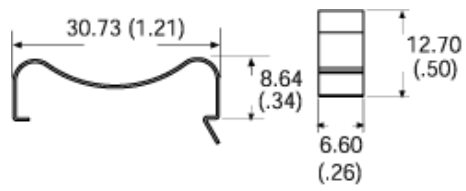


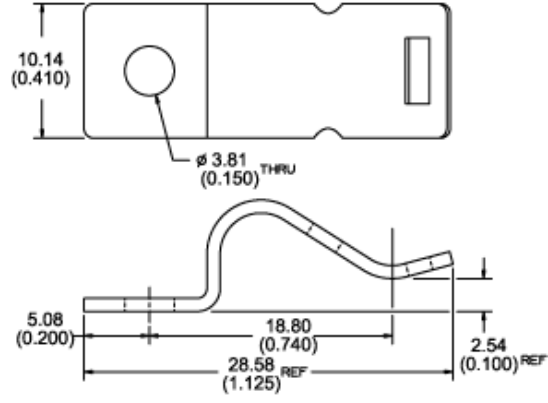

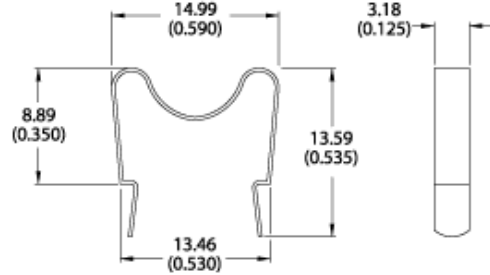

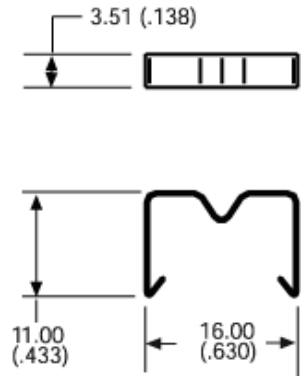

- Accessories -


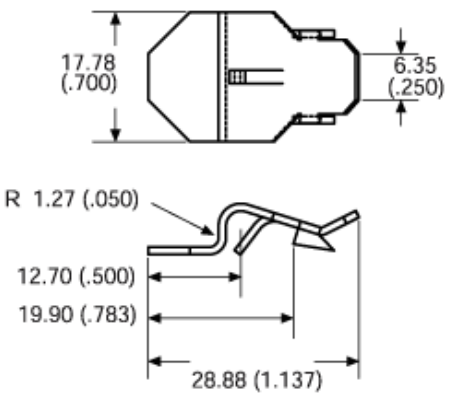

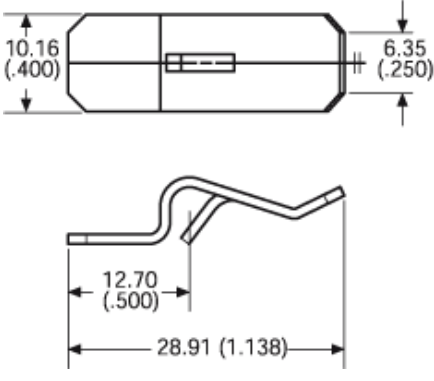

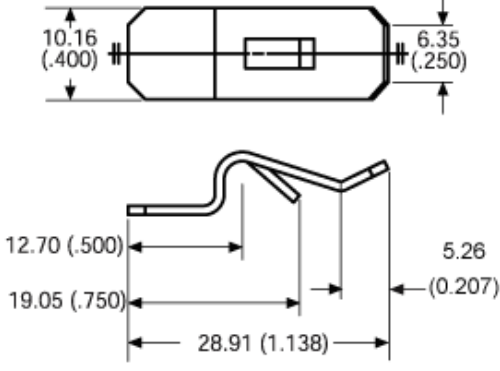

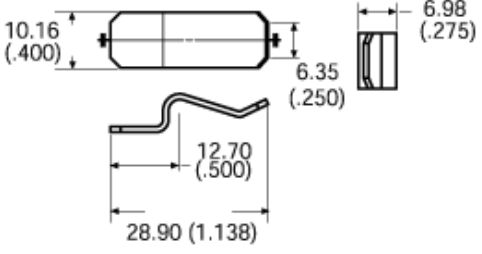
Useful Links

- [MSDS Safety Sheets](#)
- [RoHS Initiative](#)
- [Directions](#)
- [How to order?](#)
- [Find Sales Rep](#)
- [Find Distributor](#)
- [Sample Request](#)
- [Quote Request](#)
- [Catalog Request](#)
- [Building a part #](#)
- [Part # Cross Ref](#)

Standard Clips

<p>115000F00000G Code 50</p> <p>RoHS Compliant</p> <p>Product Change Notice </p>	
<p>115100F00000G Code 51</p> <p>RoHS Compliant</p> <p>Product Change Notice </p>	
<p>115200F00000G Code 52</p> <p>RoHS Compliant</p> <p>Product Change Notice </p>	
<p>115300F00000G Code 53</p> <p>RoHS Compliant</p> <p>Product Change Notice </p>	
<p>115400F00000G Code 54</p> <p>RoHS Compliant</p> <p>Product Change Notice </p>	

<p>116200F00000G Code 62</p> <p>RoHS  Compliant</p> <p> Product Change Notice</p>	
<p>118300F00000G Code 83</p> <p>RoHS  Compliant</p> <p> Product Change Notice</p>	
<p>CLP-201</p> <p>RoHS  Compliant</p>	
<p>CLP-207</p> <p>RoHS  Compliant</p>	
<p>Thermal Clips (TC-Part Numbers) are factory applied only</p>	
<p>TC-1 Code 32</p>	

<p>RoHS  Compliant</p>	
<p>TC-10 Code 33 RoHS  Compliant</p>	
<p>TC-11 Code 34 RoHS  Compliant</p>	
<p>TC-12 Code 35 RoHS  Compliant</p>	

[Home](#) • [Sitemap](#) • [Disclaimer Statement](#) • ©2007 Aavid Thermalloy, LLC