



Search

Advanced Search

# Renesas Starter Kit for R8C/35C

- Provide feedback
- Print this page
- Text size S | M | L

Full Product Info

Development Tools Home

## Renesas Starter Kit for R8C/35C

- Block Diagram
- Layout and Specification
- Configuration
- PC System Requirements
- Technical Support
- Ordering Information

### ON THIS PAGE :

- Product Overview
- Layout and Specification
- PC System Requirements
- Ordering Information
- Block Diagram
- Configuration
- Technical Support

FAQs

Application Notes and Sample Code

Downloads

Documentation

Purchasing Info

Top



### Tool Stock and Availability

Please contact your distributor for the orderable part number for this device.

### Renesas Starter Kit for R8C/35C

### Target Devices

- [R8C/32A Group](#)
- [R8C/33A Group](#)
- [R8C/35A Group](#)
- [R8C/3GA Group](#)
- [R8C/3JA Group](#)
- [R8C/32C Group](#)
- [R8C/33C Group](#)
- [R8C/34C Group](#)
- [R8C/35C Group](#)
- [R8C/3GC Group](#)
- [R8C/3JC Group](#)
- [R8C/34G Group, R8C/34H Group](#)

Device Part No. populated on the board: R5F2135CCDFP (R8C/35C Group)

## Product Overview

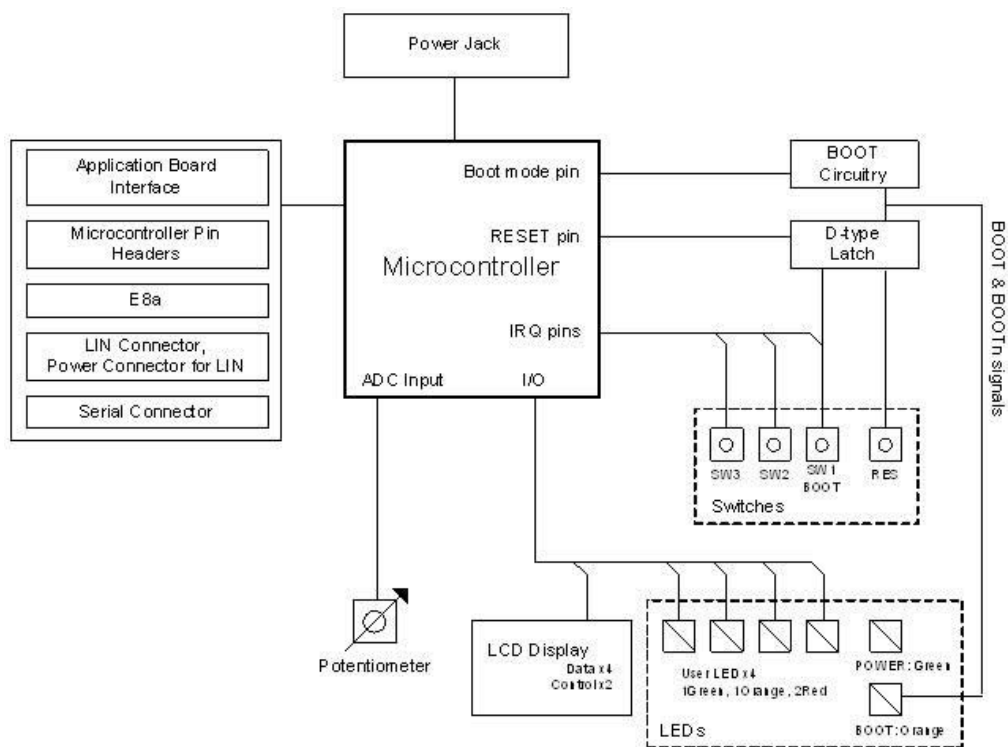
The Renesas Starter Kit for R8C/35C is intended as a user-friendly introductory and evaluation tool for the R8C/35C microcontroller. The board also provides a useful platform for evaluating the Renesas suite of development tools for coding and debugging, using High-performance Embedded Workshop as well as programming the device using E8a emulator and/or Flash Development Toolkit.

The Renesas Starter Kit for R8C/35C may be connected to the host PC using a simple RS232 serial connection or via the included USB E8a on chip debugging interface.

The purpose of the board is to enable the user to evaluate the capabilities of the device and its peripherals by giving the user a simple platform on which code can be run only minutes from opening box. It can also prove an invaluable tool in development by providing a useful test platform for code already debugged using one of our more powerful emulation tools.

[Top](#)

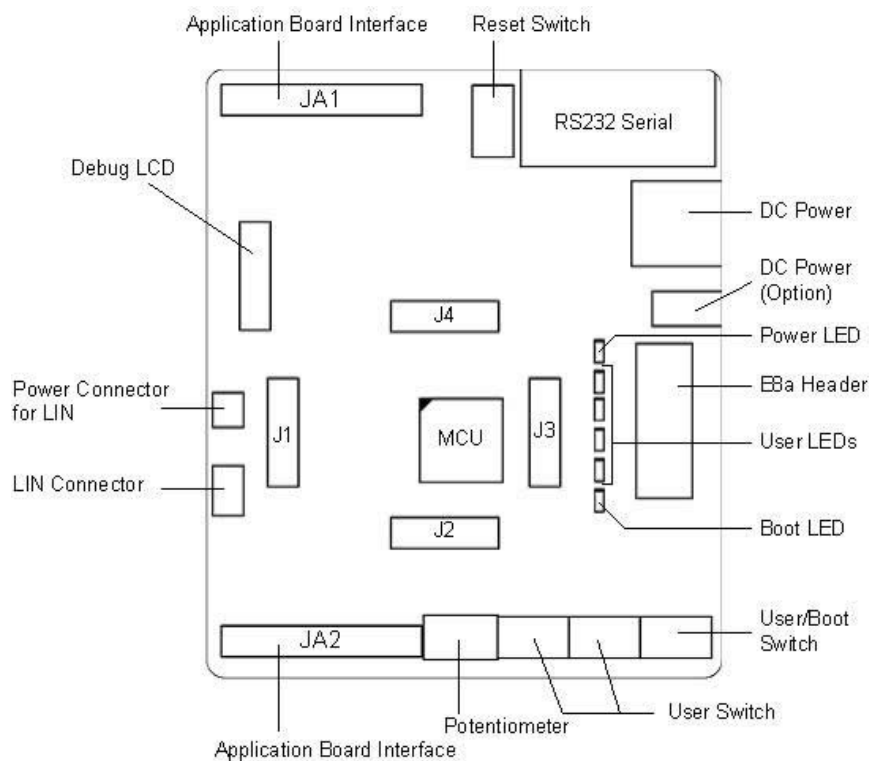
## Functional Representation



[Top](#)

## Board Layout

The LCD display module is supplied as a detachable sub-board. The board dimensions are 85 mm by 100 mm, detailed dimensions are available in the user manual.



J1 to J4: Microcontroller Pin Headers

### Board Specification

Item	Specification
Microcontroller	R5F2135CCDFP
Input Clock	Main: 20 MHz Sub: 32.768 kHz
Potentiometer	Single-turn, 10 kΩ
LED	Power indicator: green x 1 Boot indicator: orange x 1 User: green x 1, orange x 1, red x 2
Switch	Reset x 1 User/Boot x 1 User x 2
DC Power Jack	5 V Input
E8a Header	14-pin box header
RS232 Serial Connector	9-pin DSUB
LCD Display Connector	14-pin socket
LIN Connector	2.54 mm pitch, 3-pin (VBAT x 1, LIN Bus Line x 1, Ground x 1)
Microcontroller Pin Header	2.54 mm pitch, 14-pin x 4
Application Board Interface	2.54 mm pitch, 26-pin x 2

\* Microcontroller Pin Header and Application Board Interface are not contained in the product.

### Kit Contents

- CPU Board
- Detachable LCD Display Module
- Detachable AD Adjustment Shaft
- E8a Emulator
- Connection Cable (USB Cable, User Interface Cable)
- Quick Start Guide
- CD-ROM
  - Documents: User Manual, Tutorial, and more

- IDE: High-performance Embedded Workshop
- C Compiler: M3T-NC30WA Evaluation Version
- Debugger: E8a Emulator Debugger
- Flash Memory Programmer: Flash Development Toolkit Evaluation Version

## Notes

- The M3T-NC30WA Evaluation Version does not come with technical support services. In addition, The M3T-NC30WA Evaluation Version has some restrictions compared to the M3T-NC30WA Professional Version.

### Trial period: 60 days

The link size will be limited to 64 KB after 60 days.

- The Flash Development Toolkit Evaluation Version does not come with technical support services.

[Top](#)

## PC System Requirements

- IBM PC/AT or compatible PC (USB interface necessary) \*1
- Intel Pentium 600 MHz or higher \*3
- Memory 128 MB or higher
- Microsoft Windows 2000/ Windows XP/ Windows Vista \*2

\*1: IBM and PC/AT are registered trademarks of International Business Machines Corporation of the U.S.

\*2: MS, MS-DOS and Windows are registered trademarks of Microsoft Corporation of the U.S.

\*3: Pentium is a trademark of Intel Corporation of the U.S.

[Top](#)

## Technical Support

If you encounter problems concerning the bundled debugger (E8a), please contact <http://www.renesas.com/inquiry>.

When contacting us, please have the following information ready:

your name, company name, department name, fax number, MCU part number (ex. MCU: R5F2135CCDFP), tool part number, version of debugger and a brief description of the problem.

**C Compiler M3T-NC30WA Evaluation Version and Flash Development Toolkit Evaluation Version do not come with technical support services.**

[Top](#)

## Ordering Information

This product can be purchased through [the normal sales channels](#).

Product Name	Debugger Supplied	Part Number (Ordering Number)	Availability
Renesas Starter Kit for R8C/35C	E8a	R0K521350S000BE	Available