



PRODUCTS

Series SW

Medium Capacity Rocker Switches

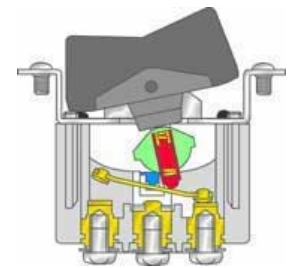


- [Download Specifications](#)
- [Configure This Switch!](#)

High Capacity Rockers



- [Download Specifications](#)
- [Configure This Switch!](#)



Standard Size Rocker Switches

SW Series are standard size rockers that are constructed of sturdy, high performance materials that include a zinc-plated steel mounting plate. The contacts are made of specially alloyed silver, which provide superior arc resistance, mechanical stability, and long electrical and mechanical life. Many of the SW series models are UL recognized and CSA certified. These rockers are designed for sub-panel mounting applications and screw lug models includes screws and mounting hardware.

GENERAL SPECIFICATIONS FOR SW3800s

Electrical Capacity (Resistive & Inductive Load)

Power Level: Shown in the following tables

Note: See Supplement section for details of design for inductive DC loads.

Other Ratings

Contact Resistance:	10 milliohms maximum
Insulation Resistance:	1,000 megohms minimum @ 500V DC
Dielectric Strength:	2,000V AC minimum for 1 minute minimum
Mechanical Life:	50,000 operations minimum
Electrical Life:	25,000 operations minimum
Angle of Throw:	Shown on following drawings
Nominal Operating Force:	1,800 grams for SW3822
	2,200 grams for SW3823 Off to On
	800 grams for SW3823 On to Off

Materials & Finishes

Rocker:	Urea resin; all rockers are white.
Mounting Frame:	Steel with chromate plating over zinc plating
Case Cover/Insulator:	Phenolic resin
Case:	Melamine phenol
Movable Contacts:	Copper with silver plating
Stationary Contacts:	Silver alloy plus copper with silver plating
Terminals:	Brass (terminal screws of brass with nickel plating)

Environmental Data

Operating Temp Range: -10°C through +70°C (+14°F through +158°F)

Standards & Certifications



UL Recognized: UL symbol shown on following pages indicates models recognized.
UL File No. WOYR2.E44145; see Supplement section to find UL rating details.



C-UL Recognized: C-UL symbol shown on following pages indicates models recognized.
C-UL File No. WOYR8.E44145; see Supplement section to find C-UL rating details.



CSA Certified: CSA symbol shown on following pages indicates models certified.
CSA File No. 023535-0-000; see Supplement section to find CSA rating details.

DOUBLE POLE WITH SCREW LUG

Model	Approvals	Pole	Rocker Position/Connected Terminals						Electrical Capacity					
			Down		Center	Up		Resistive				Inductive		
			AC 125V	AC 250V	DC 30V	DC 125V	AC 125V PF 0.6	AC 250V PF 0.6						
SW3821		DPST	ON	2-3 5-6	NONE	OFF	—	30A	30A	30A	1A	30A	15A	
SW3822		DPDT	ON	2-3 5-6	NONE	ON	2-1 5-4	30A	30A	30A	1A	30A	15A	
SW3823		DPDT	ON	2-3 5-6	OFF	ON	2-1 5-4	30A	30A	30A	1A	30A	15A	
SW3821D		DPST	ON	2-3 5-6	NONE	OFF	—	—	—	30A	15A	—	—	
SW3822D		DPDT	ON	2-3 5-6	NONE	ON	2-1 5-4	—	—	30A	15A	—	—	
SW3823D		DPDT	ON	2-3 5-6	OFF	ON	2-1 5-4	—	—	30A	15A	—	—	

Throw & Schematics:

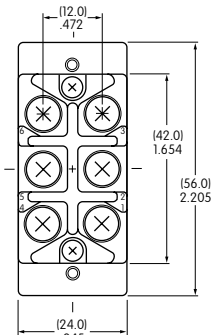
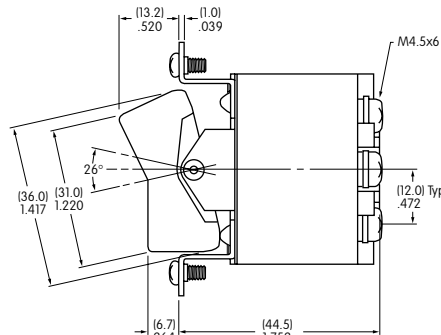
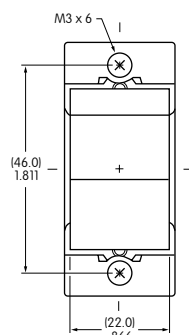
DPST:

DPDT:

Note: Terminal numbers are actually on the switch.



SW3822



SW3821 & SW3821D do not have terminals 1 & 4.

Maximum Effective Panel Thickness .177" (4.5mm)
Panel cutout shown below.

THREE POLE WITH SCREW LUG

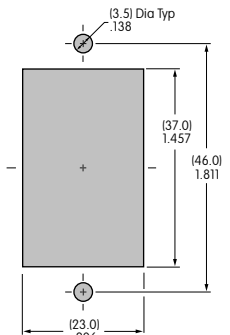
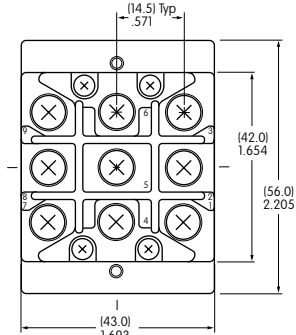
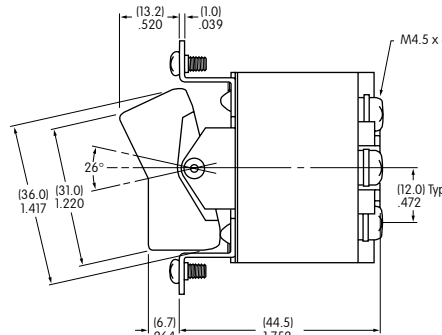
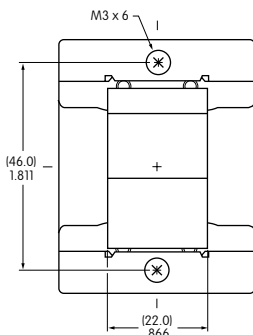
Model	Approvals	Pole	Rocker Position/Connected Terminals						Electrical Capacity					
			Down		Center	Up		Resistive				Inductive		
			AC 125V	AC 250V	DC 30V	DC 125V	AC 125V PF 0.6	AC 250V PF 0.6						
SW3831		3PST	ON	2-3 5-6 8-9	NONE	OFF	—	30A	30A	30A	1A	30A	15A	
SW3832		3PDT	ON	2-3 5-6 8-9	NONE	ON	2-1 5-4 8-7	30A	30A	30A	1A	30A	15A	
SW3833		3PDT	ON	2-3 5-6 8-9	OFF	ON	2-1 5-4 8-7	30A	30A	30A	1A	30A	15A	
SW3831D		3PST	ON	2-3 5-6 8-9	NONE	OFF	—	—	—	30A	15A	—	—	
SW3832D		3PDT	ON	2-3 5-6 8-9	NONE	ON	2-1 5-4 8-7	—	—	30A	15A	—	—	
SW3833D		3PDT	ON	2-3 5-6 8-9	OFF	ON	2-1 5-4 8-7	—	—	30A	15A	—	—	

Throw & Schematics:

3PST:

3PDT:

Note: Terminal numbers are actually on the switch.



SW3831 & SW3831D do not have terminals 1, 4 & 7.

Maximum Effective Panel Thickness .177" (4.5mm)