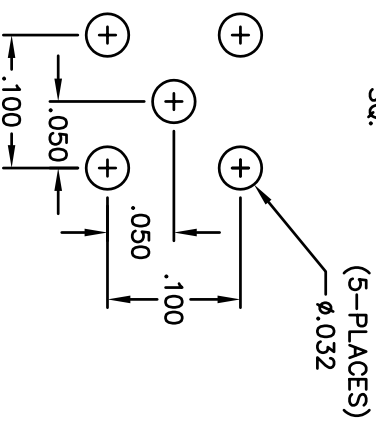
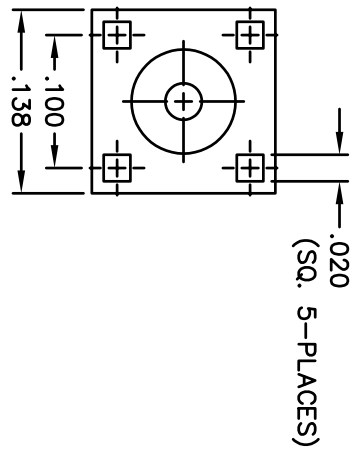
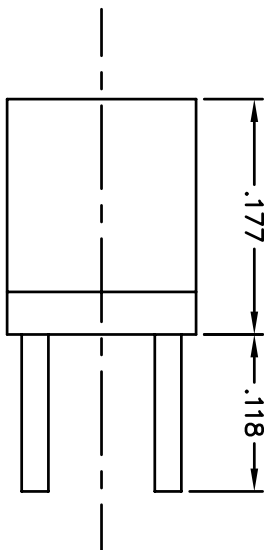


BILL OF MATERIALS				
DET.	QTY.	DESCRIPTION	MATERIAL	PLATING
1	1	BODY	BRASS	GOLD
2	1	CONTACT	BeCu	GOLD
3	1	INSULATOR	PTFE	-

REVISIONS		REVISED DATE	APPR
SYM	DESCRIPTION		



KEY PERFORMANCE

- 1) IMPEDANCE: 50 ohm
- 2) FREQUENCY: 0-6GHZ
- 3) CONTACT RESISTANCE: CENTER CONDUCTOR: 5.0 MILLIOHMS MAX
OUTER CONDUCTOR: 2.5 MILLIOHMS MAX
- 4) INSULATION RESISTANCE: 1000 MEGOHMS MIN
- 5) VOLTAGE WITHSTANDING: 500V MIN
- 6) VSWR 1.3 MAX

MATERIAL: SEE BOM		FINISH: SEE BOM		HEAT TREAT: ---	
DIMENSIONAL TOLERANCES UNLESS OTHERWISE SPECIFIED		TITLE: MMGX JACK PCB, THU HOLE			
.XX	.XXX	DRAWN: T. LORD DATE: 8/24/07			
---	---	CHECKED: T. LORD DATE: 8/24/07			
FRACTIONS	ANGLES	APPROVED: T. LORD DATE: 8/24/07			
---	---	SCALE: 10:1		SIZE: B	DRAWING NUMBER: SD-MMGX5227
SURFACE FINISH: 125		.002		ISSUE: -	
<p>THIS DRAWING AND THE INFORMATION THEREIN IS THE PROPERTY OF ABBATRON, LLC AND IS UNAUTHORIZED FOR REPRODUCTION THEREOF IS PROHIBITED.</p> <p>ABBATRON Electronic Connectors and Hardware 632 Arch Street, Meadville, Pa. 16335</p>					