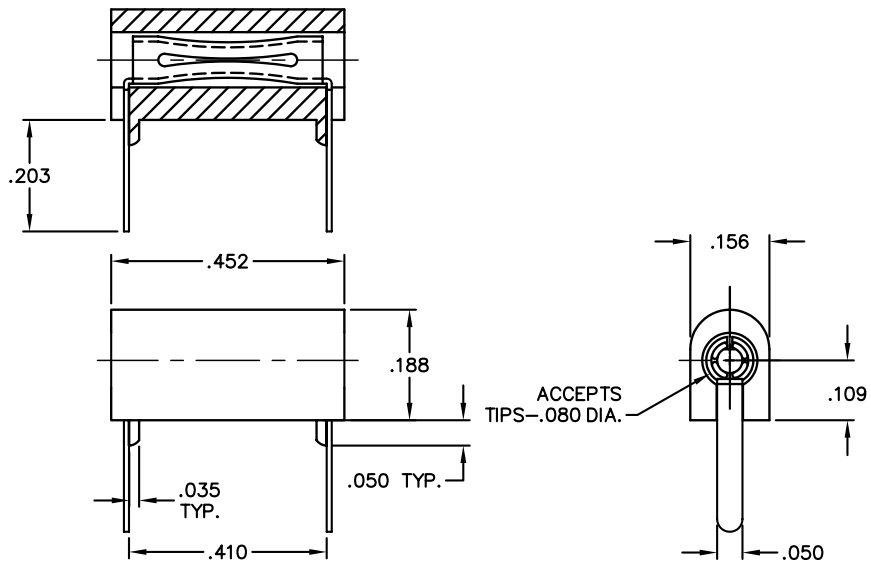


REVISIONS				
SYM	DESCRIPTION	REVISED BY	DATE	APPR

NOTE:
1.) ALL DIMENSIONS
APPLY AFTER PLATING



DET	QTY	DESC	MATERIAL	FINISH
1	1	HOUSING	NYLON	NA
2	1	CONTACT	BeCu	GOLD

MATERIAL:	SEE TABLE	FINISH:	SEE TABLE	ABBATRON Electronic Connectors and Hardware 632 Arch Street, Meadville, Pa. 16335	
DIMENSIONAL TOLERANCES UNLESS OTHERWISE SPECIFIED		TITLE: 430			
.XX	.XXX	TEST JACK ASSEMBLY			
---	---	5X			
FRACCTIONS	ANGLES	SCALE			
---	---	5X			
HEAT TREAT:	---	DRAWN:	T. LORD	DATE:	4/28/03
PLOT SCALE:	1=1	CHECKED:	T. LORD	DATE:	4/28/03
		APPROVED:	T. LORD	DATE:	4/28/03
		SIZE:	B	DRAWING NUMBER:	SD-430
		ISSUE:	B		